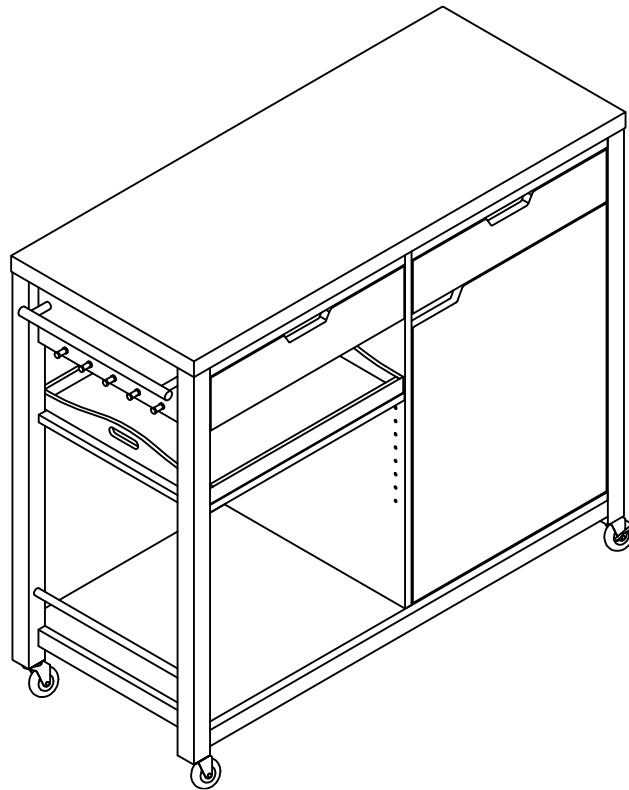




OWNER'S MANUAL



**TRINITY PRO 48" BAMBOO KITCHEN ISLAND
W/ CABINET
MODEL # TBFLNA-1408**



Important / Important / Importante

FOR QUICK & EASY 3D ASSEMBLY INSTRUCTIONS

POUR DES DIRECTIVES D'ASSEMBLAGE 3D RAPIDES ET FACILES

PARA INSTRUCCIONES DE ENSAMBLAJE RÁPIDAS Y SENCILLAS EN 3D

BILT.[®]

Intelligent Instructions
Directives intelligentes
Instrucciones Inteligentes



DOWNLOAD THE FREE APP | TÉLÉCHARGER L'APPLICATION GRATUITE | DESCARGUE LA APLICACIÓN GRATUITA

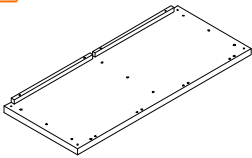
PARTS LIST

Your TRINITY PRO 48" Bamboo Kitchen Island w/ Cabinet should include the following parts. Please inspect box contents to ensure you have received all components.

If you are missing any parts, need assistance with assembly or have questions, please contact TRINITY Customer Service: 800.985.5506 or customerservice@trinityii.com. Parts can also be requested online via "Contact Us" section at www.trinityii.com.

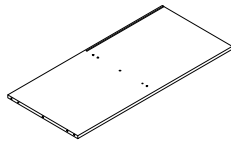
Two people needed to assemble. An electric screwdriver or drill is recommended for ease of assembly.

A



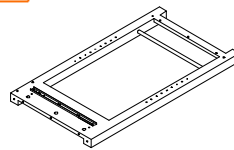
TOP (1)

B



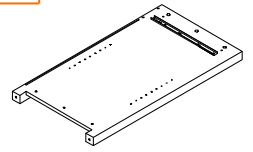
BOTTOM SHELF (1)

C



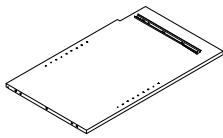
LEFT SIDE FRAME (1)

D



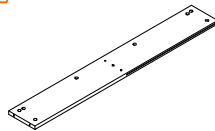
RIGHT SIDE FRAME (1)

E



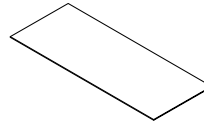
DIVIDER (1)

F



BACK FRAME (1)

G



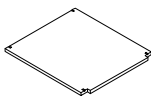
CABINET BACK PANEL (2)

H



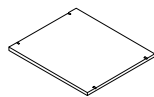
H SHAPE CONNECTOR (1)

I



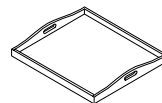
SHELF (1)

J



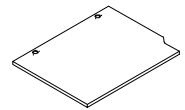
CABINET SHELF (1)

K



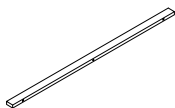
TRAY (1)

L



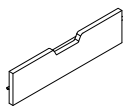
DOOR PANEL (1)

M



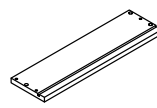
LOWER SHELF FRAME (2)

N



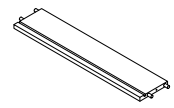
DRAWER FRONT PANEL (2)

O



DRAWER LEFT PANEL (2)

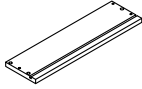
P



DRAWER BACK PANEL (2)

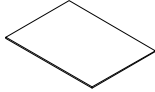
PARTS LIST

Q



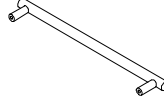
**DRAWER RIGHT
PANEL (2)**

R



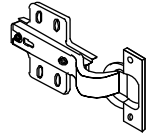
**DRAWER BOTTOM
PANEL (2)**

S



HANDLE (2)

T



HINGE (2)

AA



**DRAWER
SCREW (12) +
(1) extra**

BB



**SHELF
SUPPORT (9)**

CC



**HANDLE
SCREW (4)**

DD



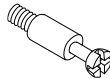
**HINGE
SCREW (12) +
(1) extra**

EE



SCREW (9)

FF



**CONNECTOR SCREW
(24) + (1) extra**

GG



**CAM LOCK
(24) + (1) extra**

HH



**DOWEL
(20) + (2) extra**

II



HANGER STUD (7)

JJ



WASHER (4)

KK



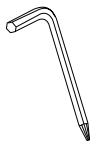
**NON-LOCKING
CASTER (2)**

LL



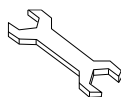
**LOCKING
CASTER (2)**

MM



SCREWDRIVER (1)

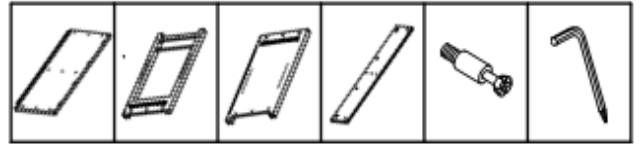
NN



WRENCH (1)

ASSEMBLY INSTRUCTIONS

STEP 1

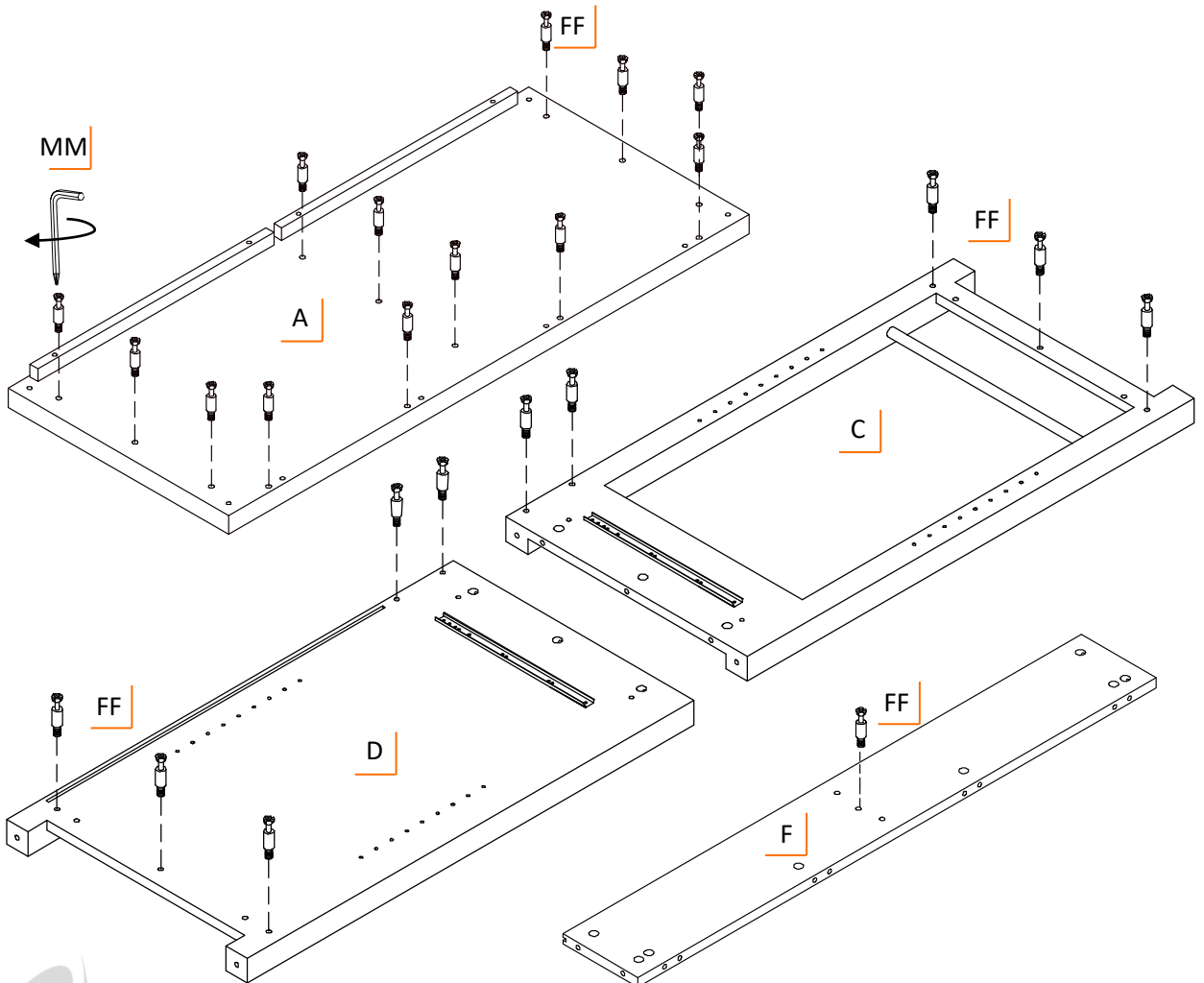


A (1) C (1) D (1) F (1) FF (24) MM (1)

Note: To protect product from any scratches or possible damage, please make sure all bamboo parts are laid on a clean and soft cloth / surface during assembly process.

Lay all below pieces on a clean surface with holes facing up. Place and screw CONNECTOR SCREWS (FF) into holes with a SCREWDRIVER (MM) as shown:

- TOP (A)
- LEFT SIDE FRAME (C)
- RIGHT SIDE FRAME (D)
- BACK FRAME (F)



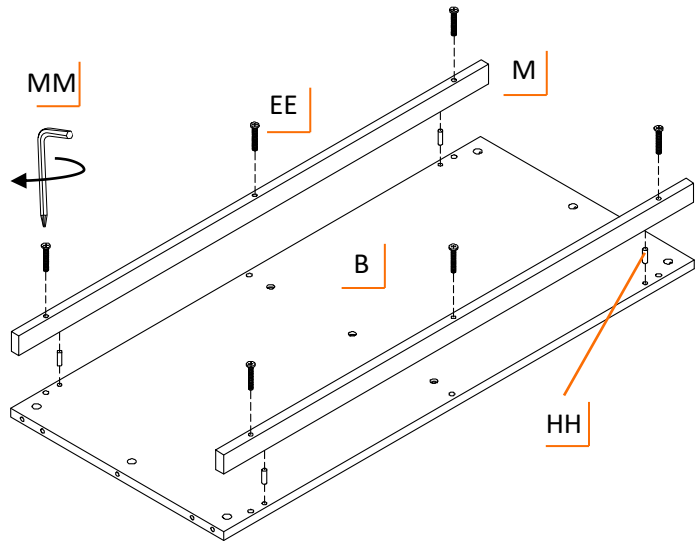
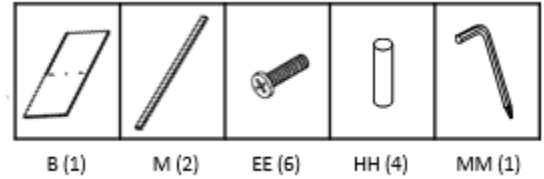
ASSEMBLY INSTRUCTIONS

STEP 2

Lay **BOTTOM SHELF (B)** on a clean surface with holes facing up. Insert (4) **DOWELS (HH)** into inner holes as shown.

Orient **LOWER SHELF FRAME (M)** with **TRINITY** logo facing out. Align holes on **LOWER SHELF FRAME (M)** with **DOWELS (HH)** and push down onto **BOTTOM SHELF (B)**.

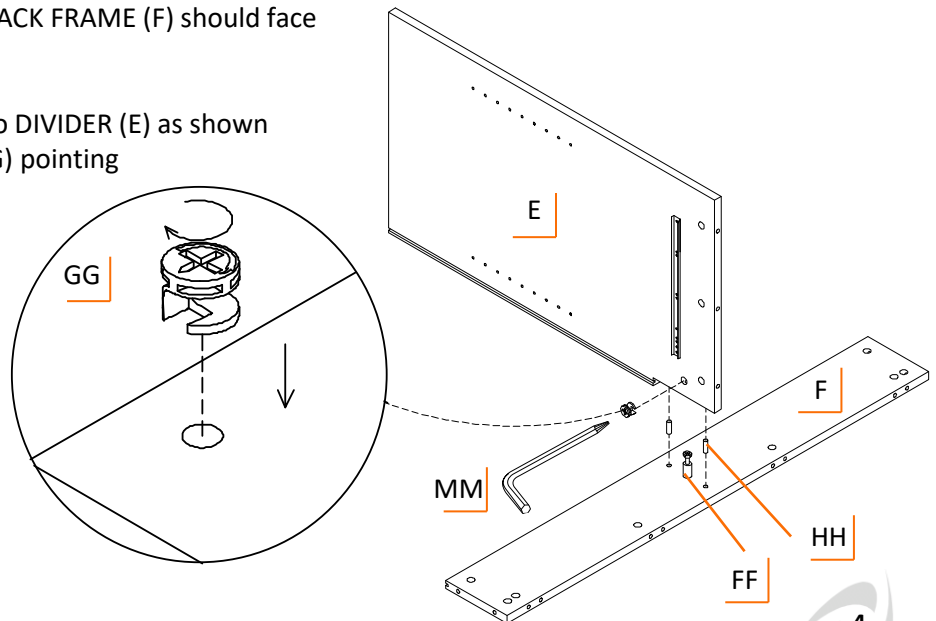
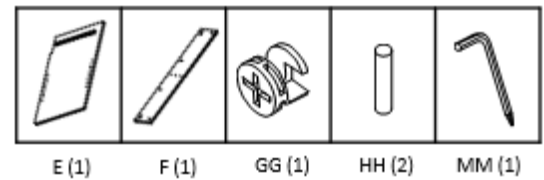
Insert (6) **SCREWS (EE)** through **LOWER SHELF FRAME (M)** and fasten tightly to **BOTTOM SHELF (B)** with **SCREWDRIVER (MM)**.



STEP 3

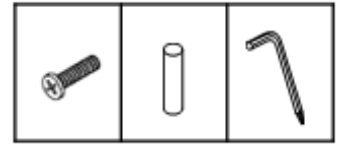
Insert (2) **DOWELS (HH)** into center of **BACK FRAME (F)**. Connect **DIVIDER (E)** with **BACK FRAME (F)** via **DOWELS (HH)** and **CONNECTOR SCREW (FF)** as shown, making sure to align groove on **DIVIDER (E)** with groove on **BACK FRAME (F)**. Note groove on **BACK FRAME (F)** should face **DIVIDER (E)**.

Insert (1) **CAM LOCK (GG)** into **DIVIDER (E)** as shown with arrow on **CAM LOCK (GG)** pointing toward **BACK FRAME (F)**. Use **SCREWDRIVER (MM)** to turn **CAM LOCK (GG)** clockwise until **DIVIDER (E)** is pulled tight with **BACK FRAME (F)**.



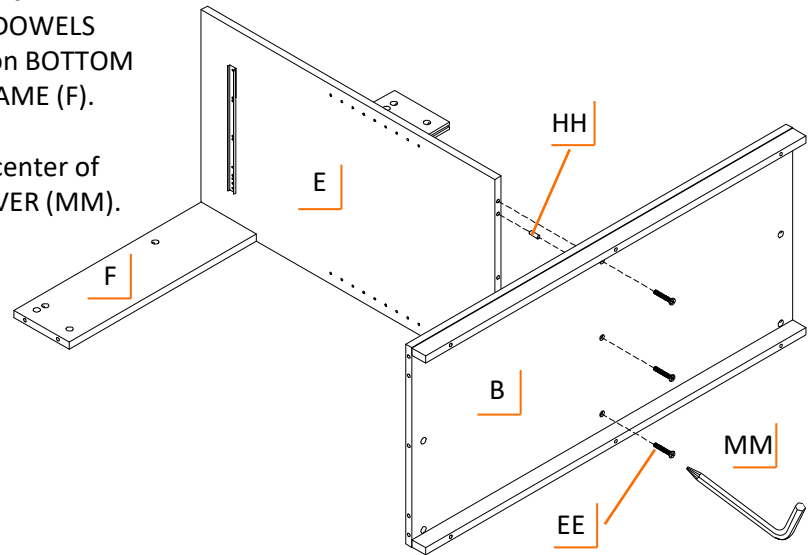
ASSEMBLY INSTRUCTIONS

STEP 4

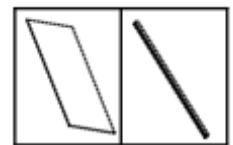


Insert (2) DOWELS (HH) into bottom of DIVIDER (E) as shown. Connect DIVIDER (E) with BOTTOM SHELF (B) via inserted (2) DOWELS (HH), making sure to align grooves on BOTTOM SHELF (B), DIVIDER (E) and BACK FRAME (F).

Tightly fasten (3) SCREWS (EE) into center of BOTTOM SHELF (B) with SCREWDRIVER (MM).

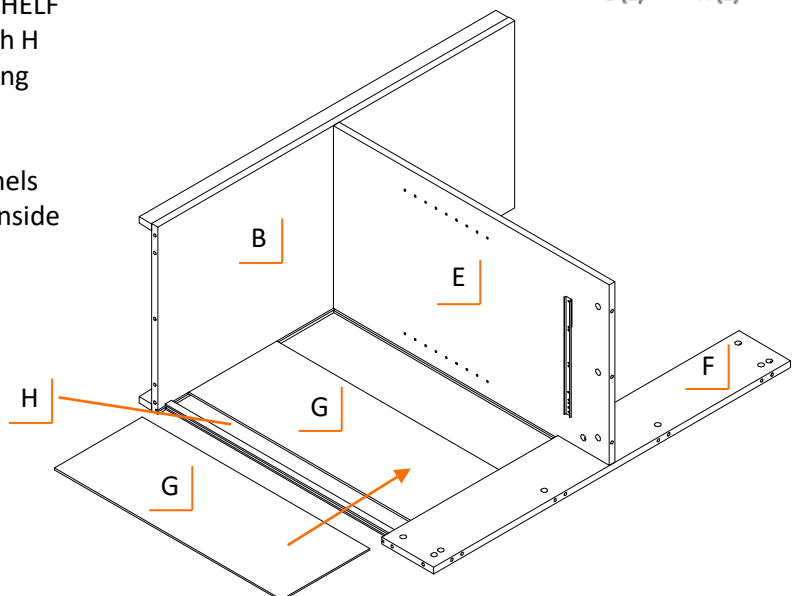


STEP 5



Insert (1) CABINET BACK PANEL (G) through both grooves on BOTTOM SHELF (B) and BACK FRAME (F). Repeat with H SHAPE CONNECTOR (H) and remaining CABINET BACK PANEL (G) as shown.

Make sure to fully insert ends of panels and H shape connector completely inside grooves.



ASSEMBLY INSTRUCTIONS

STEP 6

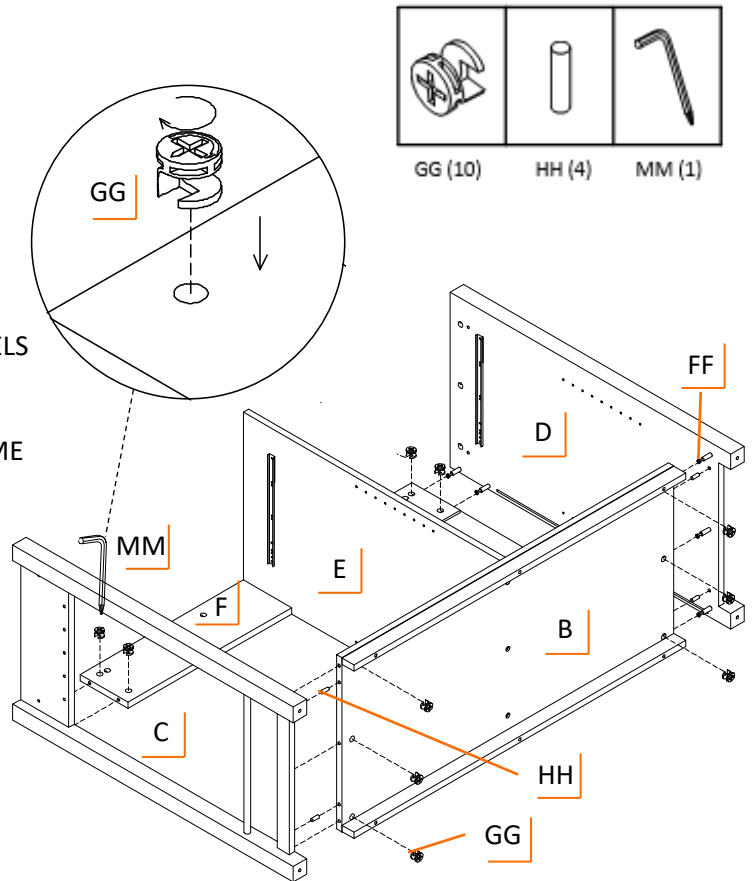
Insert (2) DOWELS (HH) into each side of BOTTOM SHELF (B) as shown.

Connect LEFT SIDE FRAME (C) with BACK FRAME (F) and BOTTOM SHELF (B). Make sure all CONNECTOR SCREWS (FF) & DOWELS (HH) are inside corresponding holes.

Insert (2) CAM LOCKS (GG) into BACK FRAME (F) and (3) CAM LOCKS (GG) into BOTTOM SHELF (B) with arrow on CAM LOCK (GG) pointing toward LEFT SIDE FRAME (C).

Use SCREWDRIVER (MM) to turn CAM LOCKS (GG) clockwise until LEFT SIDE FRAME (C) is pulled tight with BACK FRAME (F) and BOTTOM SHELF (B).

Repeat to connect RIGHT SIDE FRAME (D).

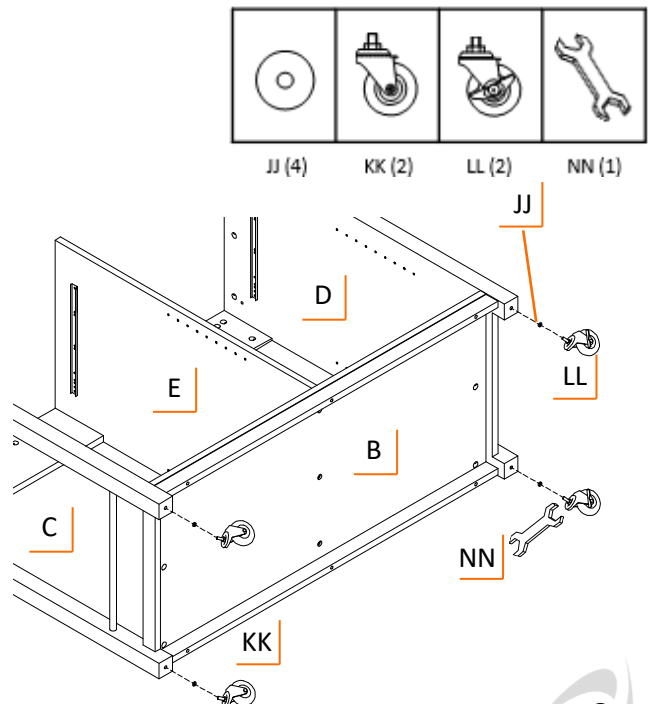


STEP 7

Place (1) WASHER (JJ) over stem of each NON-LOCKING CASTERS (KK) and screw each into LEFT SIDE FRAME (C). Repeat with LOCKING CASTERS (LL) on RIGHT SIDE FRAME (D). Fully tighten casters with provided WRENCH (NN).

CASTERS can also be installed as desired, but you need to ensure (2) LOCKING CASTERS (LL) are on same side of Kitchen Island.

Use provided caster wrench to tighten completely. Failure to do as instructed could result in caster stem breaking.



ASSEMBLY INSTRUCTIONS



S (2)

BB (9)

CC (4)

II (7)

STEP 8

With another person, carefully stand partially assembled Kitchen Island upright, making sure LOCKING CASTERS are locked.

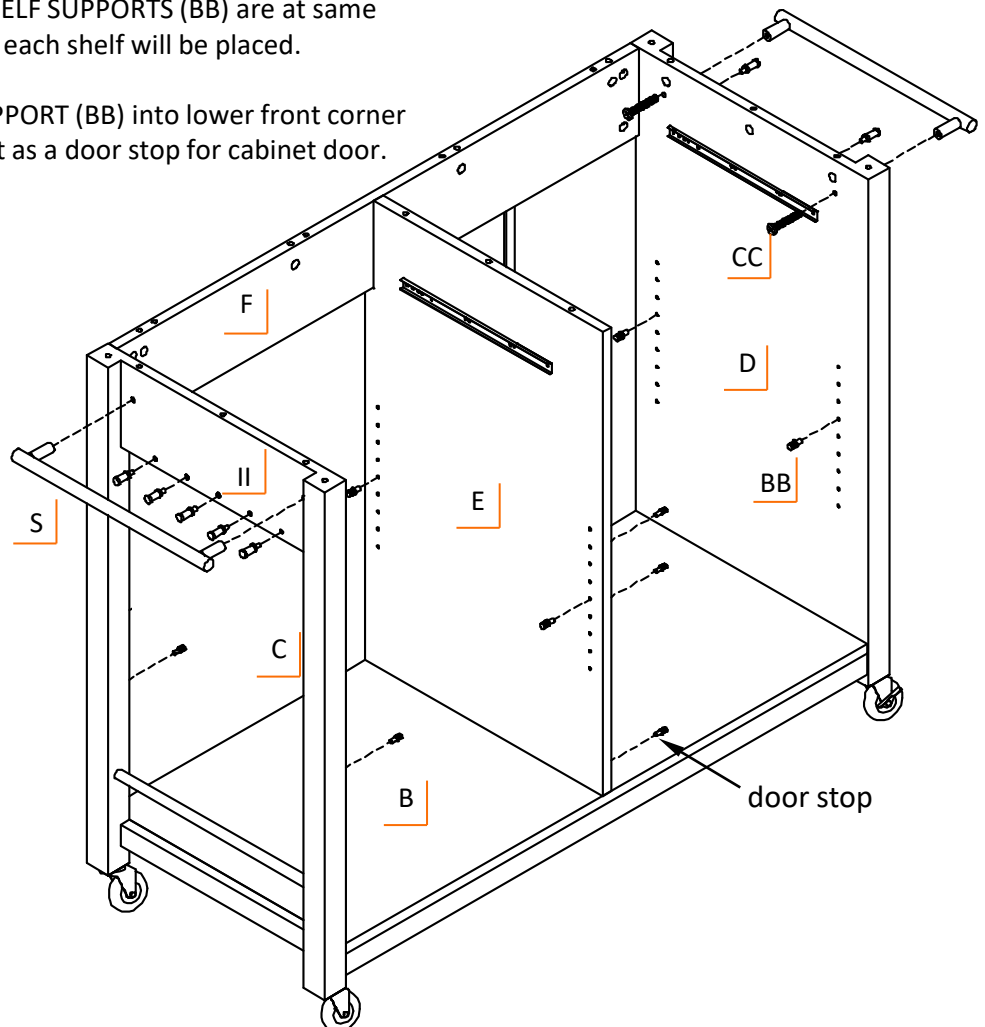
Install (1) HANDLE (S) to LEFT SIDE FRAME (C) with (2) HANDLE SCREWS (CC) and tighten fully. Repeat for RIGHT SIDE FRAME (D).

Hand tighten (5) HANGER STUDS (II) on LEFT SIDE FRAME (C) and (2) HANGER STUDS (II) on RIGHT SIDE FRAME (D).

Insert (2) SHELF SUPPORT (BB) at desired heights on both LEFT and RIGHT SIDE FRAMES (C & D). Insert (4) SHELF SUPPORTS (BB), at same heights, on both sides of DIVIDER (E).

Make sure all (4) SHELF SUPPORTS (BB) are at same desired level where each shelf will be placed.

Insert (1) SHELF SUPPORT (BB) into lower front corner of DIVIDER (E) to act as a door stop for cabinet door.



ASSEMBLY INSTRUCTIONS

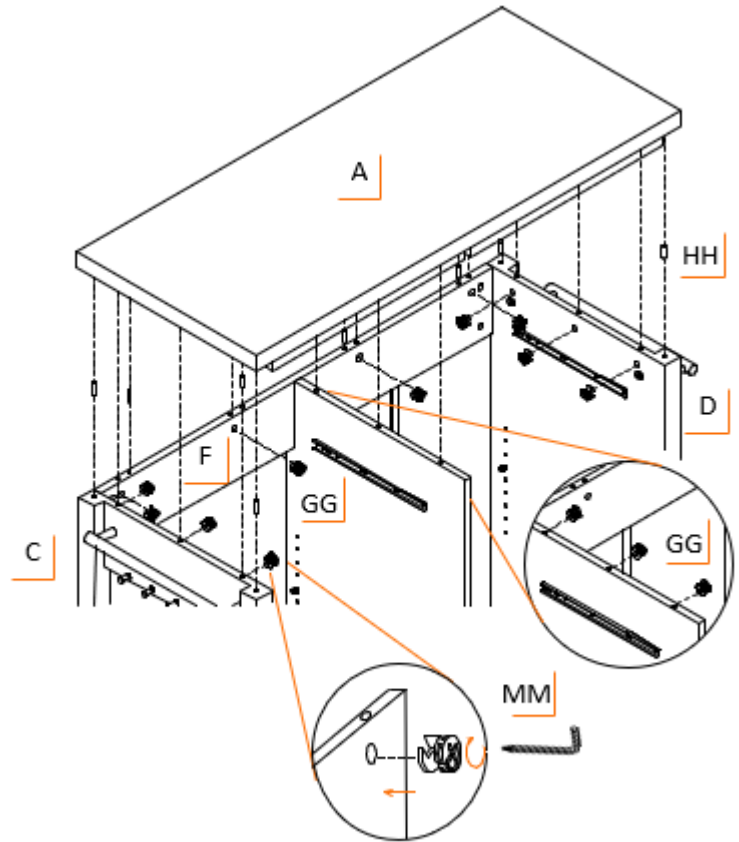
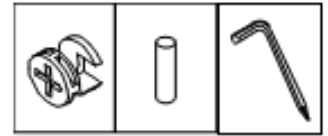
STEP 9

Insert (4) DOWELS (HH) on each corner on top of LEFT and RIGHT SIDE FRAME (C & D). Insert (4) DOWELS (HH) into top of BACK FRAME (F) as shown.

With another person, lift TOP (A) and place onto Kitchen Island, making sure CONNECTOR SCREWS (FF) on TOP (A) and DOWELS (HH) go into corresponding holes.

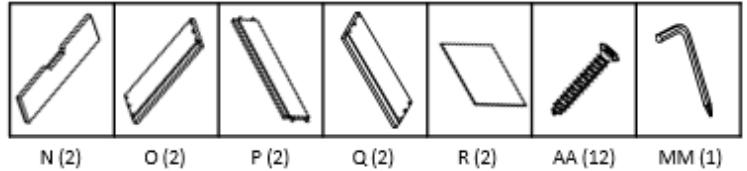
Insert (13) CAM LOCKS (GG) into holes on LEFT SIDE FRAME (C), BACK FRAME (F), RIGHT SIDE FRAME (D), and DIVIDER (E), with arrow on CAM LOCK (GG) pointing up toward TOP (A).

Use SCREWDRIVER (MM) to turn all CAM LOCKS (GG) clockwise until TOP (A) is pulled tight with LEFT and RIGHT SIDE FRAMES (C & D), BACK FRAME (F) and DIVIDER (E).



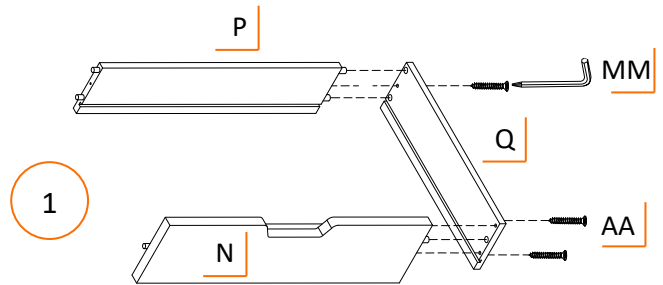
ASSEMBLY INSTRUCTIONS

STEP 10



As shown in image 1, align and press dowels on DRAWER FRONT PANEL (N) and DRAWER BACK PANEL (P) into blind holes on DRAWER RIGHT PANEL (Q). Make sure grooves of all panels are aligned.

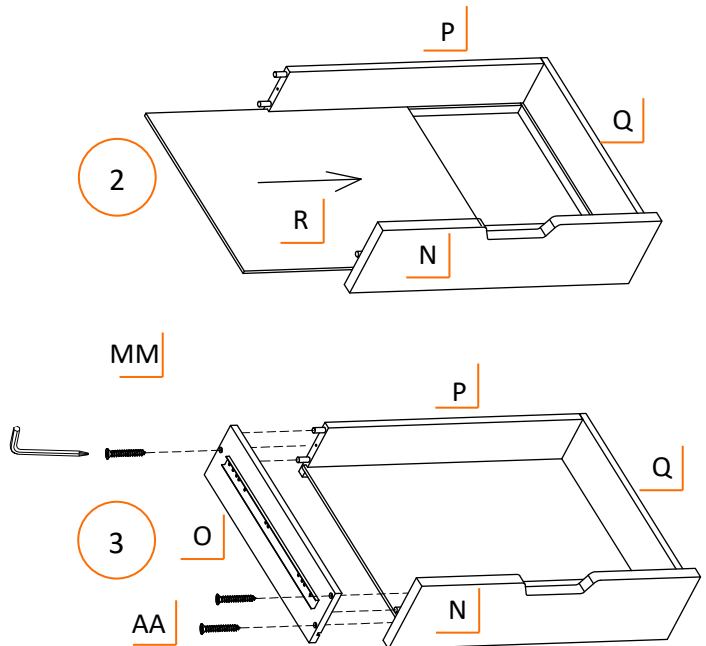
Insert (3) DRAWER SCREWS (AA) through DRAWER RIGHT PANEL (Q) and tightly fasten them with provided SCREWDRIVER (MM).



As shown in image 2, slide DRAWER BOTTOM PANEL (R) into grooves of assembled panels.

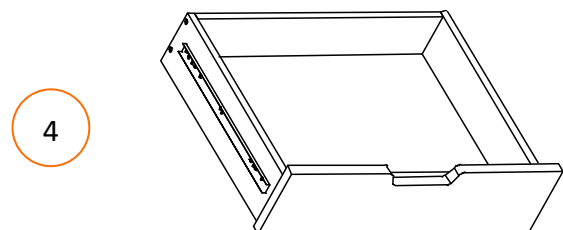
As shown in image 3, align and press dowels on DRAWER FRONT PANEL (N) and DRAWER BACK PANEL (P) into blind holes on DRAWER LEFT PANEL (O). Make sure all sides of DRAWER BOTTOM PANEL (R) are inside grooves.

Insert (3) DRAWER SCREWS (AA) through DRAWER LEFT PANEL (O) and tightly fasten them with provided SCREWDRIVER (MM).



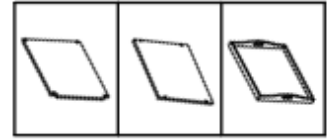
As shown in image 4, a fully assembled Kitchen Island drawer.

Repeat to assemble other drawer.



ASSEMBLY INSTRUCTIONS

STEP 11



I (1)

J (1)

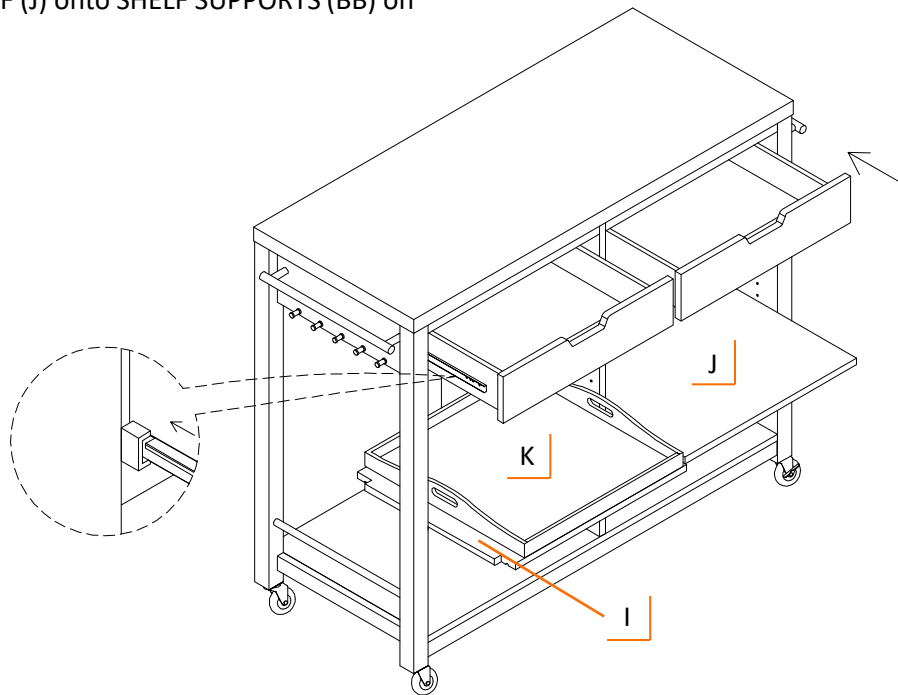
K (1)

As shown in image:

Pull out slides on left side frame and divider and align them with slides on one assembled drawer. Push drawer fully into Kitchen Island. Repeat to assemble other drawer to Kitchen Island.

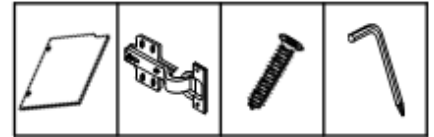
Place SHELF (I) onto SHELF SUPPORTS (BB) that were inserted at STEP 8 on left hand side. Then place TRAY (K) onto SHELF (I).

Place CABINET SHELF (J) onto SHELF SUPPORTS (BB) on right hand side.



ASSEMBLY INSTRUCTIONS

STEP 12



L (1) T (2) DD (12) MM (1)

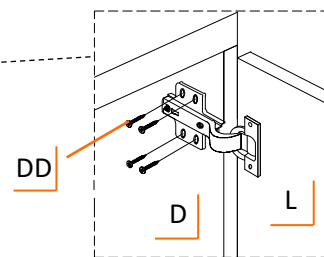
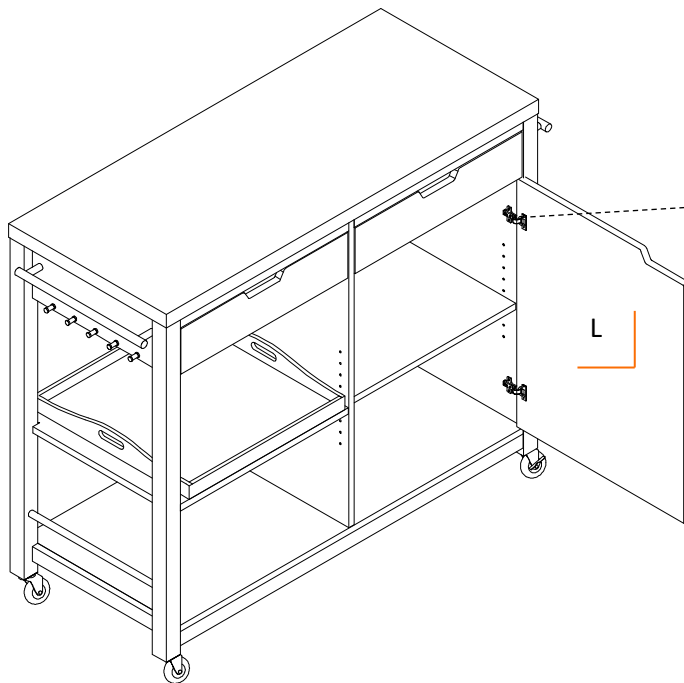
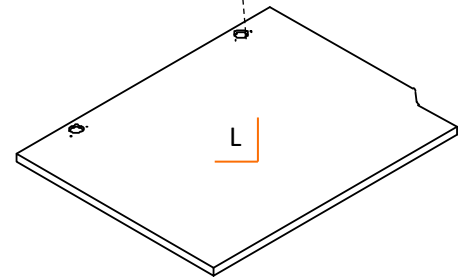
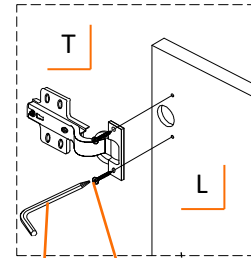
Place DOOR PANEL (L) on a clean surface with 2 circular pockets facing up. As shown in the image, take HINGE (T) and fit one side into circular pocket.

Screw (2) HINGE SCREWS (DD) through HINGE (T) into DOOR PANEL (L). Fasten screws with SCREWDRIVER (MM). Repeat to fasten remaining HINGE (T) to DOOR PANEL (L).

With one person holding DOOR PANEL (L), align HINGE (T) with screw holes in cabinet where hinges are to be installed.

A second person screws (4) HINGE SCREWS (DD) through each HINGE (T) into RIGHT SIDE PANEL (D).

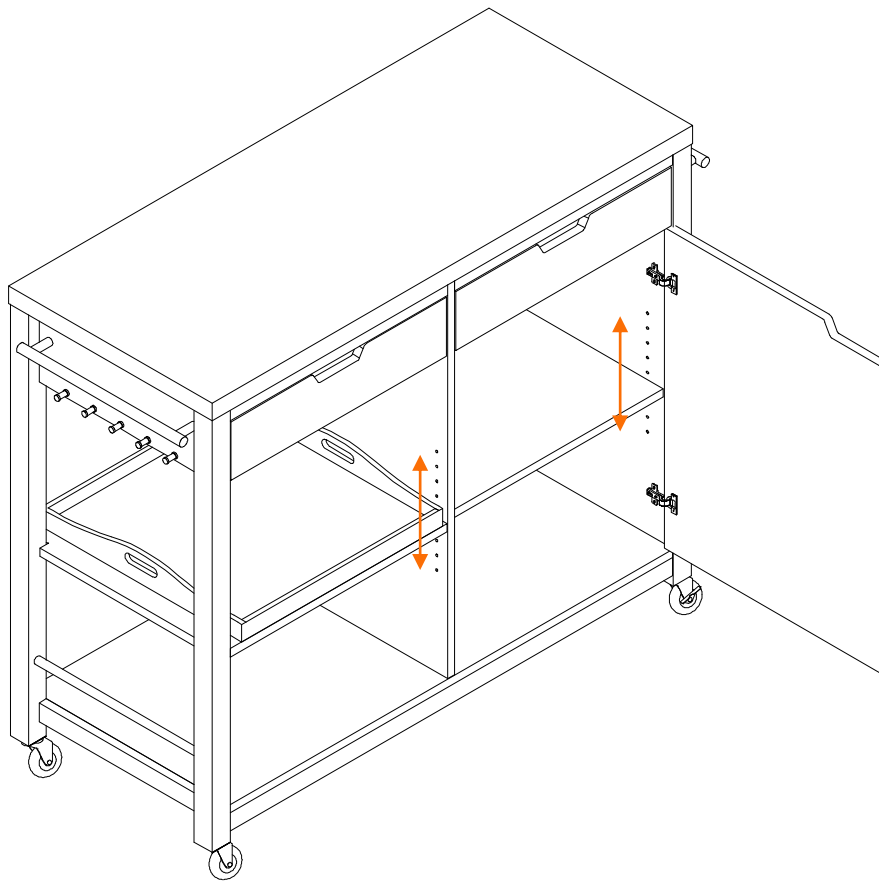
Close DOOR PANEL (L) to complete assembly.



USAGE INSTRUCTIONS

Adjusting SHELF Position

Reposition SHELF SUPPORTS (BB) at desired heights up and down along holes of LEFT SIDE FRAME (C), RIGHT SIDE FRAME (D) and DIVIDER (E). SHELF (I) and CABINET SHELF (J) can now move up and down accordingly.



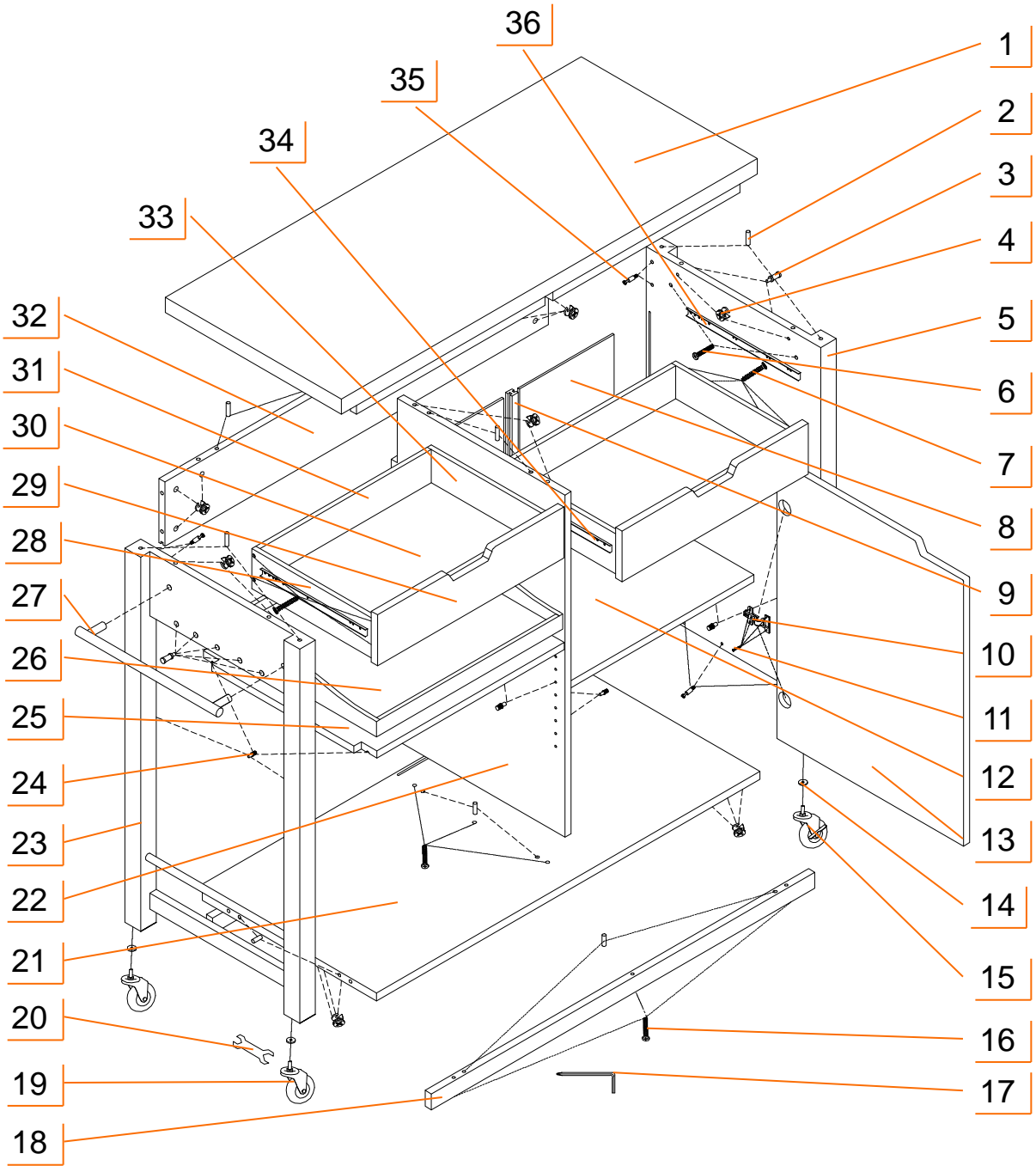
SERVICE PARTS LIST – TBFLNA-1408

TRINITY Customer Service provides the following replacement parts:

Part Number	Description	Part Number	Description
1) LNA-06-012-4720	Top	19) ZSV-99-007-3010	Non-locking Caster
2) XNA-01-006-0830	Dowel	20) XXX-97-002-0001	Wrench
3) XSV-02-018-0001	Hanger Stud	21) LNA-03-059-4420	Bottom Shelf
4) ZSV-01-028-1514	Cam Lock	22) LNA-14-028-2034	Divider
5) LNA-14-030-2037	Right Side Frame	23) LNA-14-029-2037	Left Side Frame
6) ZSV-01-004-0643	Handle Screw	24) ZSV-02-017-0002	Shelf Support
7) ZBK-01-025-0425	Drawer Screw	25) LNA-03-059-2220	Shelf
8) LNA-15-010-1128	Cabinet Back Panel	26) LNA-21-004-2119	Tray
9) LNA-19-006-2700	H Shape Connector	27) XBS-05-004-1600	Handle
10) ZSV-09-013-0001	Hinge	28) LNA-14-042-1404	Drawer Left Panel
11) ZSV-01-025-0315	Hinge Screw	29) LNA-15-005-2105	Drawer Front Panel
12) LNA-03-059-2118	Cabinet Shelf	30) LNA-16-001-2013	Drawer Bottom Panel
13) LNA-08-009-2721	Door Panel	31) LNA-15-018-2004	Drawer Back Panel
14) ZSV-01-007-1035	Washer	32) LNA-15-011-4406	Back Frame
15) ZSV-99-008-3010	Locking Caster	33) LNA-14-043-1404	Drawer Right Panel
16) ZBK-01-004-0628	Screw	34) ZBK-12-005-1350	Slide (drawer side)
17) XXX-97-001-0002	Screwdriver	35) ZSV-01-021-0633	Connector Screw
18) LNA-15-002-4402	Lower Shelf Frame	36) ZBK-12-006-1350	Slide (frame side)

SERVICE PARTS LIST – TBFLNA-1408

TRINITY Customer Service provides the following replacement parts:



WARNINGS

- 1. Read and understand all instructions.** Failure to follow all instructions may result in injury and/or damage.
- 2. The warnings, cautions, and instructions discussed in this manual cannot cover all possible conditions or situations that may occur.** The user must always be aware of their environment and ensure that they use the product in a safe and responsible manner.
- 3. Use the provided caster wrench to tighten casters completely.** Failure to do as instructed could result in the caster stem breaking thereby causing the kitchen cart to collapse.
- 4. Do NOT modify the product in any way.** Unauthorized modification may impair the function and/or safety of the product, and may affect the life of the product. Any modifications will void product warranty.
- 5. Check for damaged parts.** Before using this product, carefully check that all parts are in good condition, and that the product will operate properly and perform its intended function. Check for damaged parts and any other conditions that may affect the operation of this product. Replace damaged or worn parts, and never use this product with a damaged part.
- 6. Do NOT overload the product.** Weight capacity for evenly distributed weight.

Weight capacity per Shelf	40 lb
Weight capacity on Wood Top	100 lb
Weight capacity per Drawer	25 lb
Weight capacity per Tray	25 lb
Total weight capacity of Kitchen Island	300 lb

- 7. Do NOT roll the product on an uneven surface.** Only move the product on a smooth surface. Rolling over rough or uneven surfaces may cause casters to break or items on the product to fall, resulting in injury and / or damage. Wood and laminate flooring can be scratched or dented. Ensure your flooring can bear the weight of loaded product before rolling loaded product across your flooring.
- 8. Do NOT allow children to climb or play around the product.** Tipping may occur causing injury.
- 9. Do NOT stand or lean on the product or use any part of this product as a step ladder.** Only use the product on an even and stable surface. Tipping may occur causing injury.
- 10. Always lock the wheels when leaving the product in stationary position.**

CARE AND MAINTENANCE

- Avoid harsh, abrasive cleaners, and other corrosive chemicals.
- Wood product can be cleaned with damp cloth and wiped dry immediately with dry cloth. If needed, solvent-based wood furniture cleaner can be used.
- Keep dry but out of direct sunlight and avoid damp environments.
- Clean up any spills immediately to prevent stains from forming on wood surface.
- Do NOT put hot items directly on wood top or shelves to prevent damaging and discoloring wood surface.
- This product is designed for indoor use.

PRODUCT REGISTRATION

Thank you for purchasing a TRINITY PRO 48" Bamboo Kitchen Island w/ Cabinet. In order to register your product and receive streamlined customer service, please fill out the following Product Registration Form and (1) fax the form to 310.347.4134 (2) complete the Product Registration Form online at www.trinityii.com or (3) scan and email the form to customerservice@trinityii.com. Include a copy of your original receipt with your submission.

First Name: _____ Last Name: _____

Address: _____

City: _____ State: _____ Zip Code: _____

Email Address: _____ Phone: _____

Product Model #: TBFLNA-1408 Purchase Date: ____ / ____ / ____

Location of Purchase: _____

Please rate the importance of each feature (1=least important; 10=most important)

Quality ____ Price ____ Size/Capacity ____ Appearance ____ Other ____

How did you hear about our product?

- Magazine Ad Catalog Salesperson Word of Mouth
 Internet Store Display Other

Marital Status: Single Married

Household Income: Below \$50,000 \$50,000-\$150,000 \$150,000+

Education: High School College Graduate School

Primary Residence: Own Rent

Comments/Suggestions:

1 YEAR LIMITED WARRANTY

TRINITY PRO 48" Bamboo Kitchen Island w/ Cabinet Model # TBFLNA-1408

Trinity International Industries ("Trinity") warrants to the original consumer purchaser ("Purchaser") of the TRINITY PRO 48" Bamboo Kitchen Island w/ Cabinet ("Product") that each Product shall be free from defects in workmanship and materials for a period of 1 year from the date of original purchase. Trinity's obligation under this warranty shall be limited to repair or replacement of, or adequate compensation for the Product which shall not be greater than the amount of the purchase price of the Product, at the option of Trinity, during the warranty period. All replaced parts and Products become the property of Trinity and must be returned to Trinity.

This warranty excludes normal wear and tear of the Product and its parts or components, and damage arising from any of the following: negligent use or misuse of the Product, use contrary to this User's Manual, or alteration by anyone other than Trinity. The warranty period of 1 year shall not be extended or renewed by the repair or replacement of, or compensation for, the Product. Any warranty implied by applicable law is limited in duration to one year from the date of purchase and is subject to the same conditions and limitations as is provided for our express warranty.

Except as set forth herein, and to the extent of applicable there are no warranties on this Product either express or implied, and Trinity disclaims all warranties including, but not limited to, any implied warranties of merchantability, infringement or fitness for a particular purpose. No warranty or guarantee given by any person, firm, or corporation with respect to this product shall be binding on Trinity.

If your Product is defective or otherwise requires service or parts, please call TRINITY Customer Service toll-free at (800) 985-5506, between 5:00 a.m. and 5:00 p.m., PST. Please tell us which model you purchased, the date of the purchase, and the problem with your Product. A copy of your original purchase receipt must accompany your service request.

LIMITATION OF REMEDIES AND LIABILITY

Trinity (and its employees, officers, members, managers, affiliates and assigns) shall not be liable for any incidental, consequential, special, indirect, remote, special or punitive damages for breach of any warranty, express or implied, including, but not limited to, lost profits, lost savings, loss of anticipated benefits and attorneys' fees, which arise out of the purchase, use or inability to use the Product, whether arising out of contract, negligence, strict tort, product liability, or any other legal theory on which a claim is based. As noted above, to the extent damages are allowed by our express warranty or by applicable law, those damages may not exceed the purchase price paid for the Product. Without limiting the foregoing Purchaser assumes all risk and liability for loss, damage or injury to Purchaser and Purchaser's property and to others and their property arising out of the use, misuse, or inability to use this Product. This limited warranty shall not extend to anyone other than the original purchaser of this product, is nontransferable and states your exclusive remedy.

Some states do not allow the exclusion or limitation of incidental, consequential, special, or punitive damages, so the above limitation or exclusion may not apply to you. The above warranty gives you specific legal rights, and you may have other rights which vary from state to state.

CONTACT US

**QUESTIONS? NEED PARTS?
WE ARE HERE TO HELP!**

Please feel free to contact us. There are no questions too small, or any problems too big. We're committed to providing our customers with the highest level of service.

TRINITY Customer Service

TEL: 800.985.5506

FAX: 310.347.4134

EMAIL: customerservice@trinityii.com

**Monday through Friday
5:00 AM – 5:00 PM (PST)**

www.trinityii.com