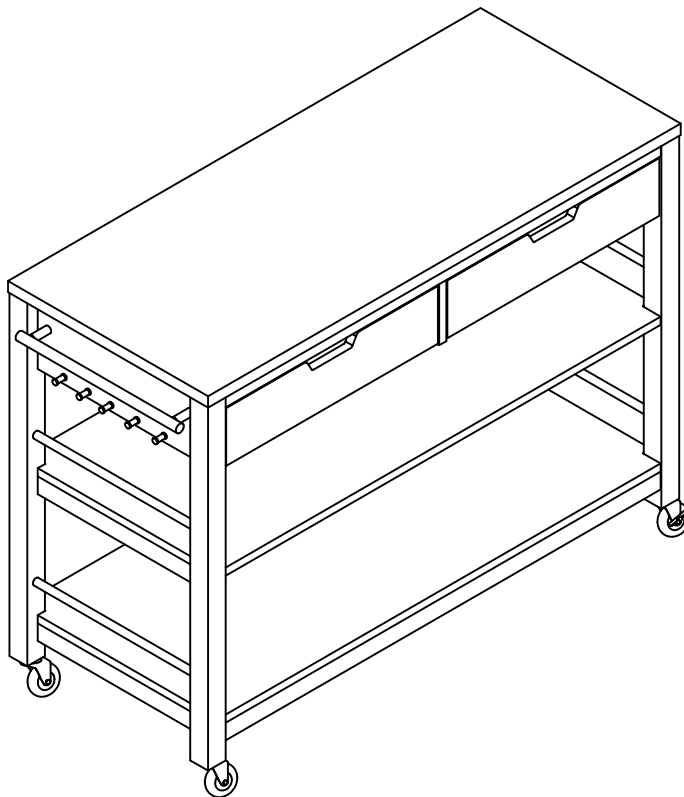




OWNER'S MANUAL



TRINITY 48" BAMBOO KITCHEN ISLAND W/ DRAWERS

Model # TBFLNA-1407 / TBFLWH-1407

Important / Important / Importante

FOR 3D ASSEMBLY INSTRUCTIONS

POUR DES DIRECTIVES D'ASSEMBLAGE 3D

PARA INSTRUCCIONES DE ENSAMBLAJE EN 3D



BILT.[®]

Intelligent Instructions
Directives intelligentes
Instrucciones Inteligentes



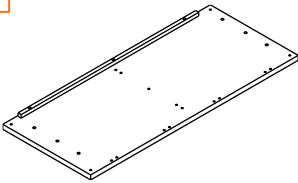
PARTS LIST

Your TRINITY 48" Bamboo Kitchen Island with Drawers should include the following parts. Please inspect box contents to ensure you have received all components.

If you are missing any parts, need assistance with assembly or have questions, please contact TRINITY Customer Service: 800.985.5506 or customerservice@trinityii.com. Parts can also be requested online via our "Contact Us" section at www.trinityii.com.

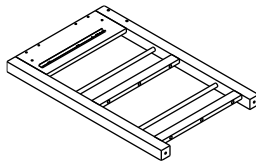
An electric screwdriver is recommended for ease of assembly.

A



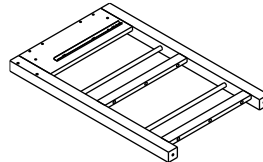
TOP (1)

B



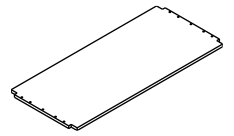
**LEFT
SIDE FRAME (1)**

C



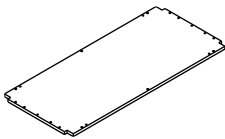
**RIGHT
SIDE FRAME (1)**

D



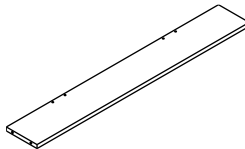
**UPPER
SHELF (1)**

E



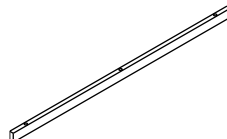
**LOWER
SHELF (1)**

F



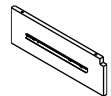
BACK FRAME (1)

G



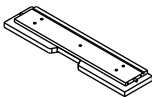
**LOWER SHELF
FRAME (2)**

H



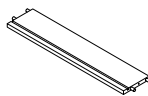
**DRAWER
DIVIDER (1)**

I



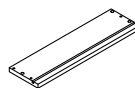
**DRAWER FRONT
PANEL (2)**

J



**DRAWER BACK
PANEL (2)**

K



**DRAWER LEFT
PANEL (2)**

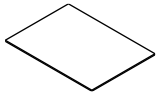
L



**DRAWER RIGHT
PANEL (2)**

PARTS LIST

M



**DRAWER BOTTOM
PANEL (2)**

AA



**SCREW
(18) + (2) extra
black**

BB



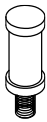
**DRAWER
SCREW (12)**

CC



**DOWEL
(22) + (2) extra**

DD



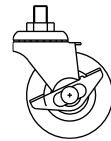
HANGER STUD (7)

EE



**NON-LOCKING
CASTER (2)**

FF



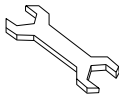
**LOCKING
CASTER (2)**

GG



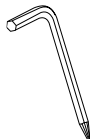
WASHER (4)

HH



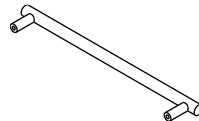
WRENCH (1)

II



SCREWDRIVER (1)

JJ



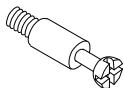
HANDLE (2)

KK



**HANDLE SCREW (4)
silver**

LL



**CONNECTOR
SCREW (17) + (1) extra**

MM



**CAM LOCK
(17) + (1) extra**

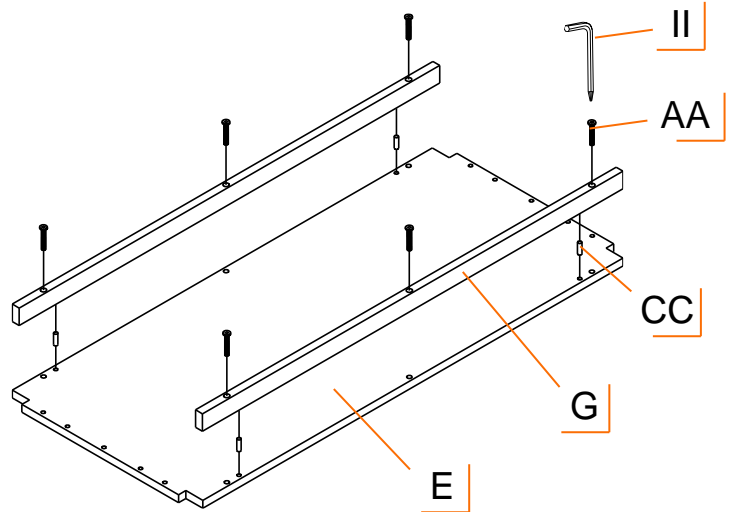
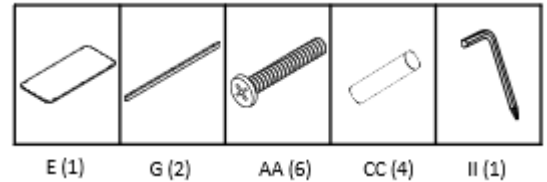
ASSEMBLY INSTRUCTIONS

STEP 1

Lay LOWER SHELF (E) on a clean surface with holes facing up. Insert (4) DOWELS (CC) in the inner holes as pictured.

Orient LOWER SHELF FRAME (G) with TRINITY logo facing out. Align holes on LOWER SHELF FRAME (G) with DOWELS (CC) and push onto LOWER SHELF (E).

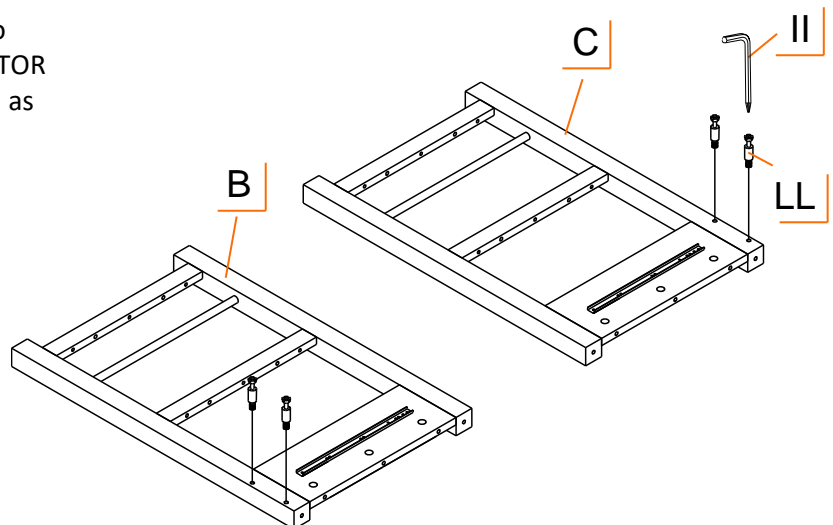
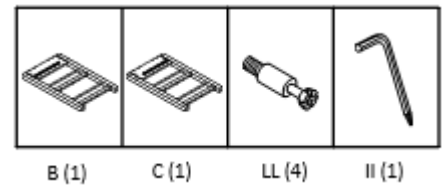
Insert (6) SCREWS (AA) through LOWER SHELF FRAME (G) and fasten tightly to LOWER SHELF (E) with SCREWDRIVER (II).



STEP 2

Lay LEFT SIDE FRAME (B) and RIGHT SIDE FRAME (C) on a clean surface with slides facing up.

Screw (2) CONNECTOR SCREWS (LL) to LEFT SIDE FRAME (B) and (2) CONNECTOR SCREWS (LL) to RIGHT SIDE FRAME (C) as shown with SCREWDRIVER (II).

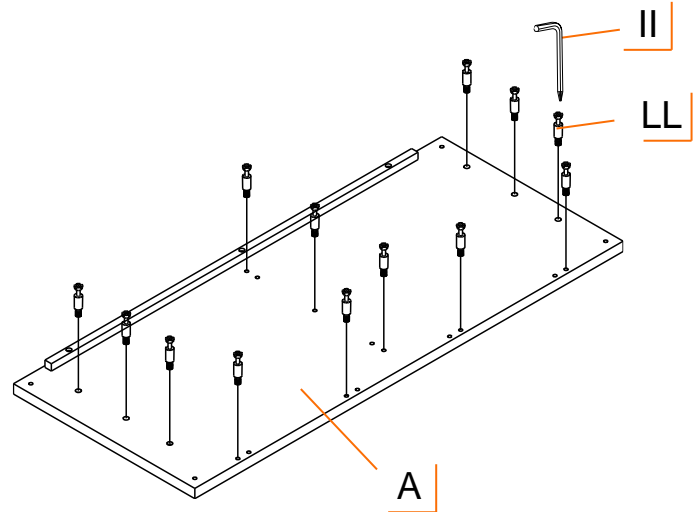
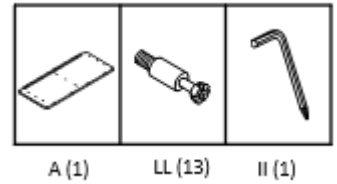


ASSEMBLY INSTRUCTIONS

STEP 3

Lay TOP (A) on a clean surface with holes facing up.

Screw (13) CONNECTOR SCREWS (LL) to the small holes on TOP (A) as shown with SCREWDRIVER (II).

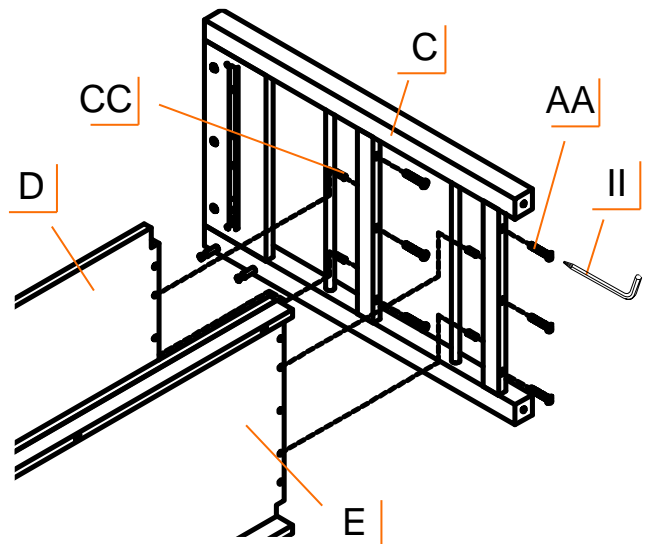
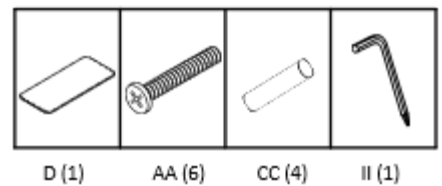


STEP 4

Lay RIGHT SIDE FRAME (C) on its side. Insert (2) DOWELS (CC) into each cross beam on the RIGHT SIDE FRAME (C).

Align holes on UPPER SHELF (D) with DOWELS (CC) and push onto middle cross beam on RIGHT SIDE FRAME (C). Align holes on the LOWER SHELF (E) with DOWELS (CC) and push onto lower cross beam on RIGHT SIDE FRAME (C).

Insert (6) SCREWS (AA) through cross beams of RIGHT SIDE FRAME (C) and fasten tightly to UPPER SHELF (D) and LOWER SHELF (E) with SCREWDRIVER (II).



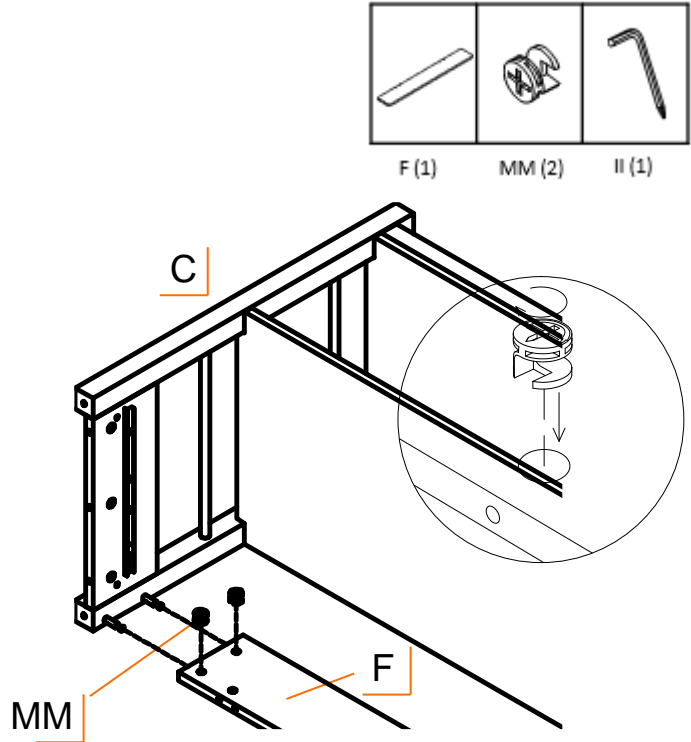
ASSEMBLY INSTRUCTIONS

STEP 5

Insert (2) CAM LOCKS (MM) to BACK FRAME (F) with pointer arrow pointing toward the edge.

Orient BACK FRAME (F) with insert nuts facing in and long edge with holes up. Push BACK FRAME (F) onto the CONNECTOR SCREWS (LL) against RIGHT SIDE FRAME (C).

Use SCREWDRIVER (II) to turn CAM LOCKS (MM) in clockwise direction until BACK FRAME (F) is pulled tight with RIGHT SIDE FRAME (C).



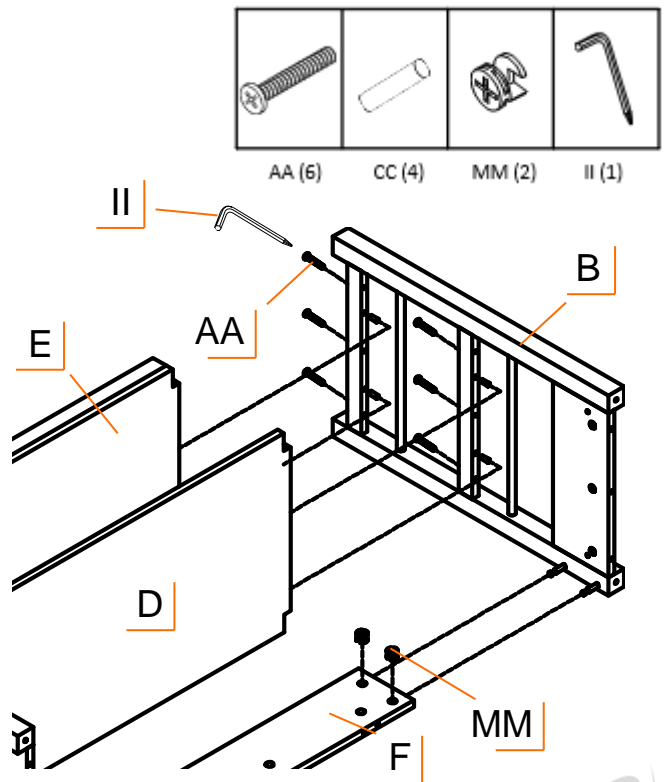
STEP 6

Insert (4) DOWELS (CC) in the LEFT SIDE FRAME (B). Place (2) on each cross beam as shown. Insert (2) CAM LOCKS (MM) to BACK FRAME (F) with pointer arrow toward the edge.

Take LEFT SIDE FRAME (B) and align CONNECTOR SCREWS (LL) to holes in BACK FRAME (F), then DOWELS (CC) to UPPER SHELF (D), then LOWER SHELF (E).

Use the SCREWDRIVER (II) to turn CAM LOCKS (MM) in clockwise direction until BACK FRAME (F) is pulled tight with LEFT SIDE FRAME (B).

Insert (6) SCREWS (AA) through cross beams of LEFT SIDE FRAME (B) and fasten tightly to UPPER SHELF (D) and LOWER SHELF (E) with the SCREWDRIVER (II).



ASSEMBLY INSTRUCTIONS

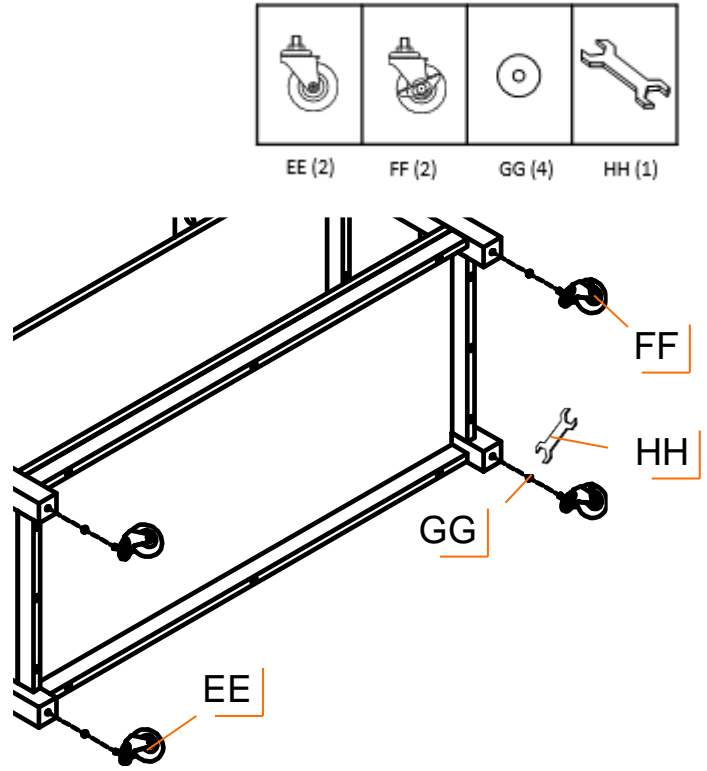
STEP 7

Take a NON-LOCKING CASTER (EE) and insert threaded stem through WASHER (GG) and screw into one of the rear legs. Tighten with WRENCH (HH). Repeat with the other NON-LOCKING CASTER (EE).

Take a LOCKING CASTER (FF) and insert threaded stem through WASHER (GG) and screw into one of the front legs. Tighten with WRENCH (HH). Repeat with the other LOCKING CASTER (FF).

Note: Make sure LOCKING CASTERS (FF) are on the same side.

Use the provided caster wrench to tighten completely. Failure to do as instructed could result in the caster stem breaking.

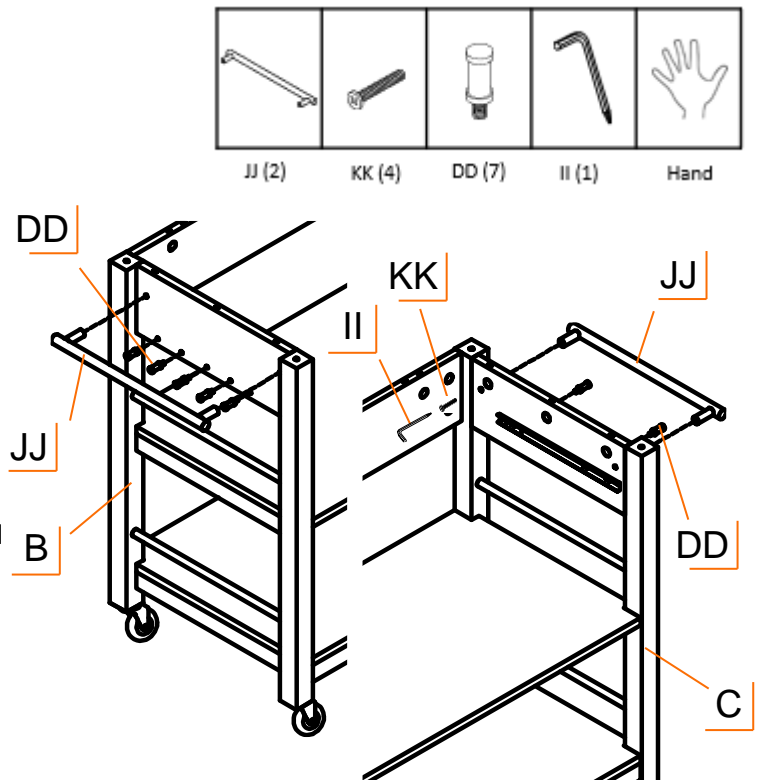


STEP 8

With two people, carefully stand partially assembled Kitchen Island upright.

Take (2) HANDLE SCREWS (KK) and insert them through the holes on the RIGHT SIDE FRAME (C) from the inside. Screw them into HANDLE (JJ) and tighten HANDLE SCREWS (KK) with SCREWDRIVER (II). Repeat to install second HANDLE (JJ) on LEFT SIDE FRAME (B).

By hand, screw (5) HANGER STUDS (DD) into insert nuts on LEFT SIDE FRAME (B) and screw (2) HANGER STUDS (DD) into insert nuts on RIGHT SIDE FRAME (C).



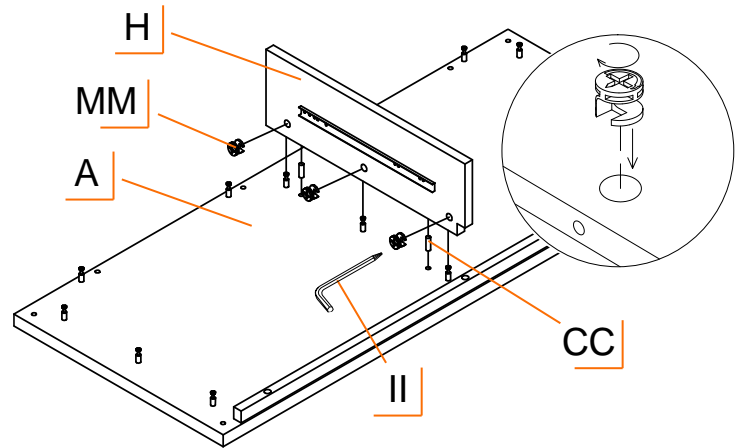
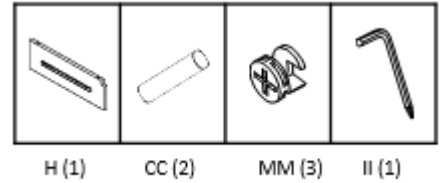
ASSEMBLY INSTRUCTIONS

STEP 9

Lay TOP (A) on a clean surface with holes facing up. Insert (2) DOWELS (CC) into holes in the middle of TOP (A) as shown.

Take DRAWER DIVIDER (H) and orient the notch toward the long strip of wood on TOP (A). Align the holes to the DOWELS (CC) and push DRAWER DIVIDER (H) firmly onto TOP (A).

Insert (3) CAM LOCKS (MM) to DRAWER DIVIDER (H) with pointer arrow pointing down, toward the edge. Use SCREWDRIVER (II) to turn CAM LOCKS (MM) in clockwise direction until DRAWER DIVIDER (H) is pulled tight with TOP (A).

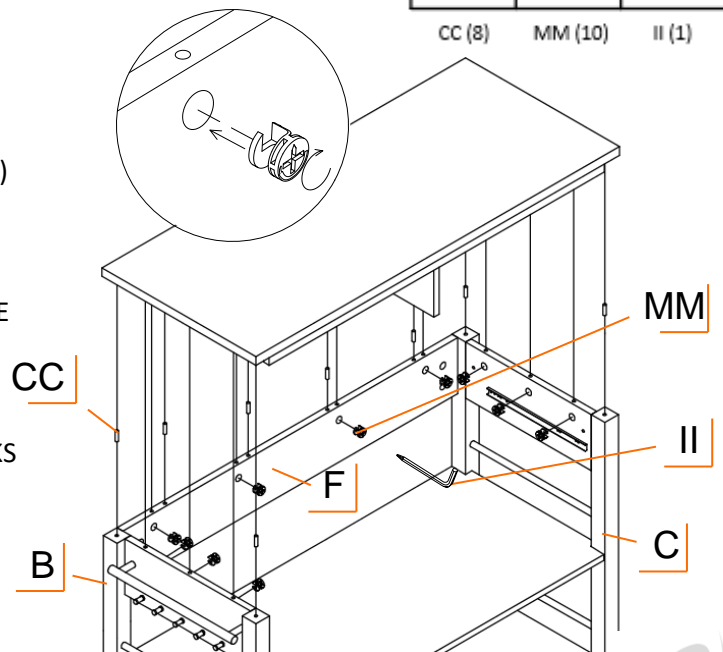
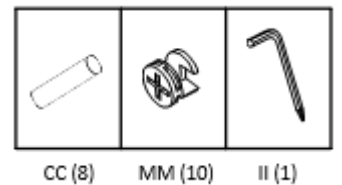


STEP 10

Insert a DOWEL (CC) into the top of each leg. Insert (4) DOWELS (CC) to the BACK FRAME (F).

With two people, lift TOP (A) and align the holes on the underside with the DOWELS (CC) on the Kitchen Island Frame. Carefully lower TOP (A) onto the Kitchen Island Frame.

Insert (3) CAM LOCKS (MM) each to LEFT SIDE FRAME (B) and RIGHT SIDE FRAME (C) with pointer arrow pointing up, toward the edge. Insert (4) CAM LOCKS (MM) to BACK FRAME (F). Use SCREWDRIVER (II) to turn CAM LOCKS (MM) in clockwise direction until TOP (A) is pulled tight with the frame.



ASSEMBLY INSTRUCTIONS

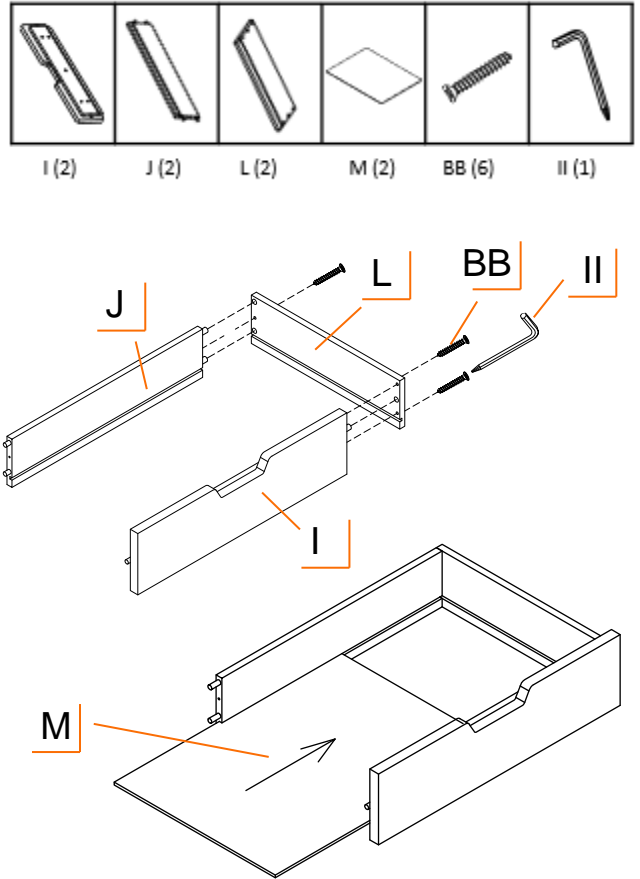
STEP 11

Align and press dowels on DRAWER FRONT PANEL (I) and DRAWER BACK PANEL (J) into blind holes on DRAWER RIGHT PANEL (L).

Insert (3) DRAWER SCREWS (BB) through the DRAWER RIGHT PANEL (L) and fasten them tightly to DRAWER FRONT PANEL (I) and DRAWER BACK PANEL (J) with SCREWDRIVER (II).

Slide DRAWER BOTTOM PANEL (M) into the grooves as shown.

Repeat for second Drawer.

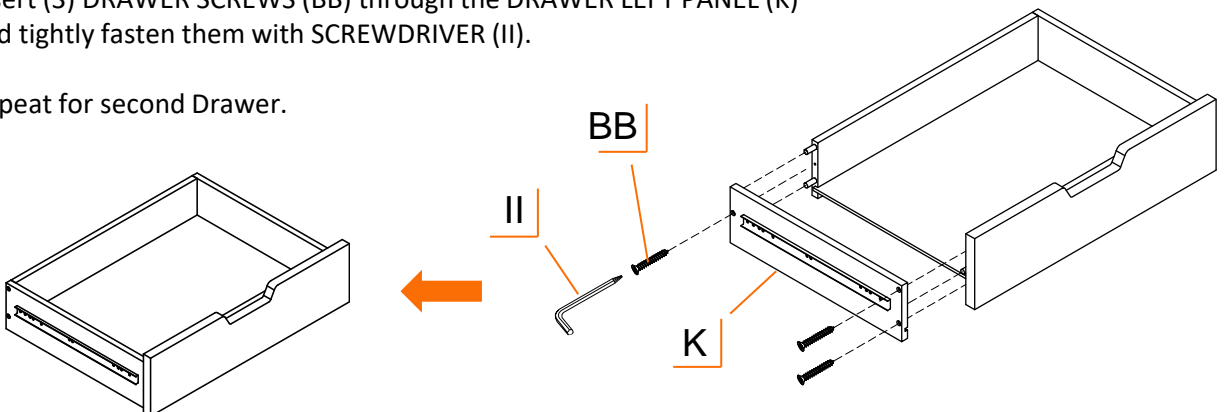
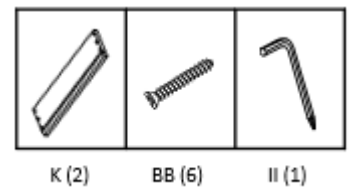


STEP 12

Align and press dowels on DRAWER FRONT PANEL (I) and DRAWER BACK PANEL (J) into blind holes on DRAWER LEFT PANEL (K).

Insert (3) DRAWER SCREWS (BB) through the DRAWER LEFT PANEL (K) and tightly fasten them with SCREWDRIVER (II).

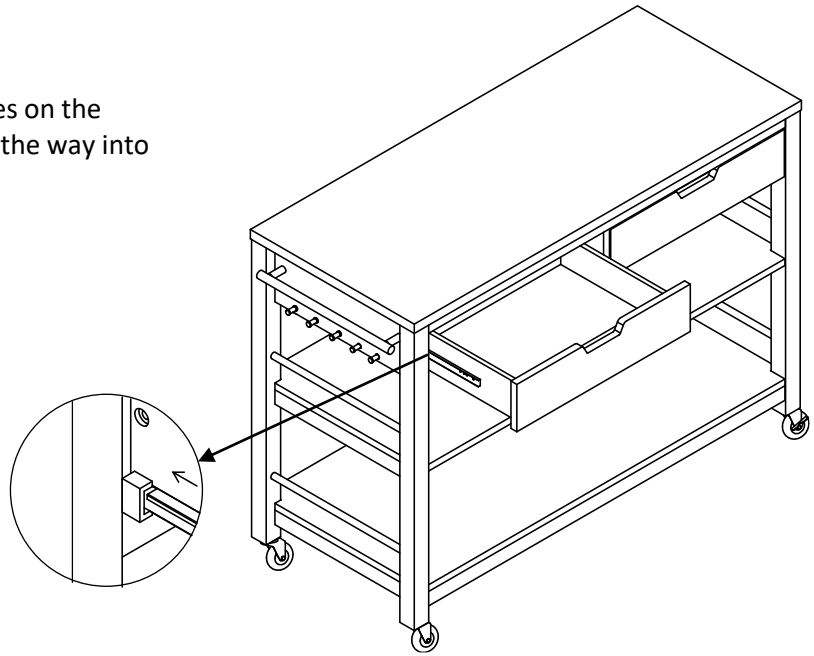
Repeat for second Drawer.



USAGE INSTRUCTIONS

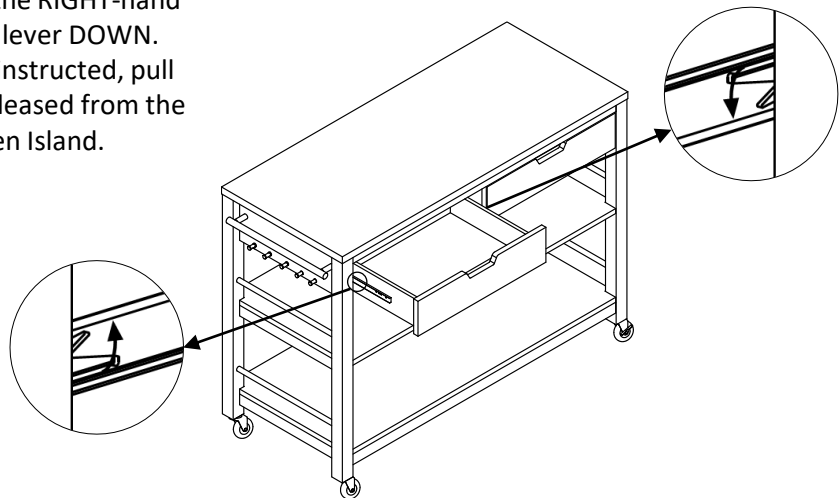
Install Drawers

Align slides on Drawer with slides on the Kitchen Island. Push Drawer all the way into Kitchen Island.



Remove Drawers

Pull one Drawer out so that it is almost fully extended. On the LEFT-hand side, pull the black release lever UP. On the RIGHT-hand side, push the black release lever DOWN. While holding the levers as instructed, pull the Drawer forward until released from the slides attached to the Kitchen Island.



SERVICE PARTS LIST – TBFLNA-1407 - NATURAL

TRINITY Customer Service provides the following replacement parts:
(see page 12 for exploded parts view)

	Part Number	Description		Part Number	Description
1)	LNA-14-043-1404	Drawer Right Panel	15)	XXX-97-002-0001	Wrench
2)	LNA-16-001-2013	Drawer Bottom Panel	16)	ZSV-01-007-1035	Washer
3)	LNA-15-005-2105	Drawer Front Panel	17)	ZSV-99-007-3010	Non-locking Caster
4)	ZSV-01-021-0633	Connector Screw	18)	LNA-14-029-2032	Left Side Frame
5)	ZSV-01-028-1514	Cam Lock	19)	XSV-02-018-0001	Hanger Stud
6)	ZBK-12-006-1350	Slide (frame side)	20)	XBS-05-004-1600	Handle
7)	ZBK-01-025-0425	Drawer Screw	21)	ZSV-01-004-0643	Handle Screw
8)	LNA-14-030-2032	Right Side Frame	22)	LNA-15-012-4406	Back Frame
9)	LNA-03-026-4520	Upper Shelf	23)	LNA-14-028-1906	Drawer Divider
10)	ZSV-99-008-3010	Locking Caster	24)	XNA-01-006-0830	Dowel
11)	LNA-03-027-4520	Lower Shelf	25)	LNA-06-010-4720	Top
12)	LNA-15-002-4402	Lower Shelf Frame	26)	ZBK-12-005-1350	Slide (drawer side)
13)	ZBK-01-004-0628	Screw	27)	LNA-14-042-1404	Drawer Left Panel
14)	XXX-97-001-0002	Screwdriver	28)	LNA-15-018-2004	Drawer Back Panel

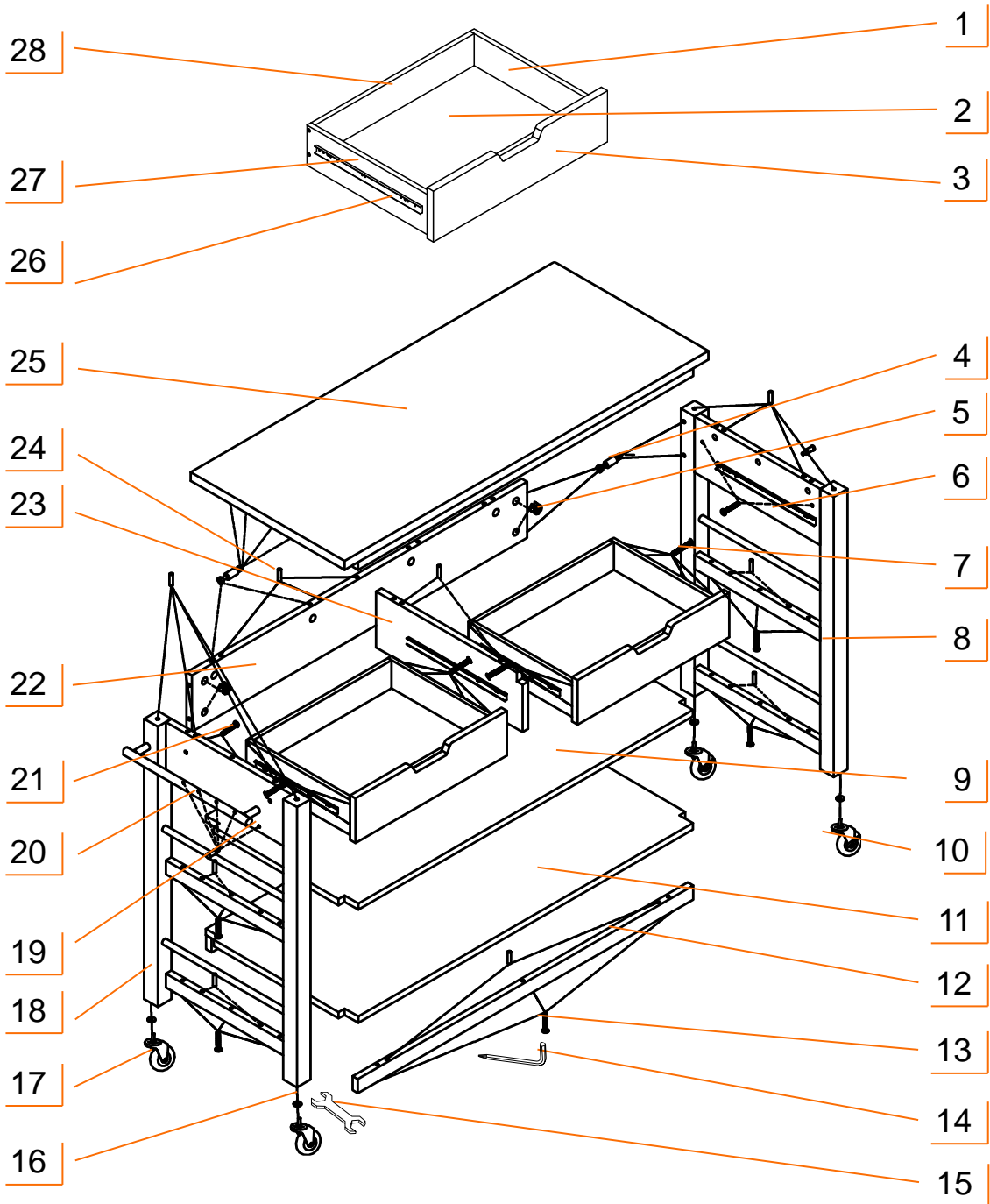
SERVICE PARTS LIST – TBFLWH-1407 - WHITE

TRINITY Customer Service provides the following replacement parts:
(see page 12 for exploded parts view)

	Part Number	Description		Part Number	Description
1)	LWH-14-043-1404	Drawer Right Panel	15)	XXX-97-002-0001	Wrench
2)	LWH-16-001-2013	Drawer Bottom Panel	16)	ZSV-01-007-1035	Washer
3)	LWH-15-005-2105	Drawer Front Panel	17)	ZSV-99-007-3010	Non-locking Caster
4)	ZSV-01-021-0633	Connector Screw	18)	LWH-14-029-2032	Left Side Frame
5)	ZSV-01-028-1514	Cam Lock	19)	XSV-02-018-0001	Hanger Stud
6)	ZBK-12-006-1350	Slide (frame side)	20)	XBS-05-004-1600	Handle
7)	ZBK-01-025-0425	Drawer Screw	21)	ZBK-01-004-0643	Handle Screw
8)	LWH-14-030-2032	Right Side Frame	22)	LWH-15-012-4406	Back Frame
9)	LWH-03-026-4520	Upper Shelf	23)	LWH-14-028-1906	Drawer Divider
10)	ZSV-99-008-3010	Locking Caster	24)	XNA-01-006-0830	Dowel
11)	LWH-03-027-4520	Lower Shelf	25)	LWH-06-010-4720	Top
12)	LWH-15-002-4402	Lower Shelf Frame	26)	ZSV-12-005-1350	Slide (drawer side)
13)	ZBK-01-004-0628	Screw	27)	LWH-14-042-1404	Drawer Left Panel
14)	XXX-97-001-0002	Screwdriver	28)	LWH-15-018-2004	Drawer Back Panel

SERVICE PARTS LIST – TBFLNA-1407 / TBFLWH-1407

TRINITY Customer Service provides the following replacement parts:



WARNINGS

- 1. Read and understand all instructions.** Failure to follow all instructions may result in injury and/or damage.
- 2. The warnings, cautions, and instructions discussed in this manual cannot cover all possible conditions or situations that may occur.** The user must always be aware of their environment and ensure that they use the product in a safe and responsible manner.
- 3. Use the provided caster wrench to tighten casters completely.** Failure to do as instructed could result in the caster stem breaking thereby causing the Kitchen Island to collapse.
- 4. Do NOT modify the product in any way.** Unauthorized modification may impair the function and/or safety of the product, and may affect the life of the product.
- 5. Check for damaged parts.** Before using this product, carefully check that all parts are in good condition, and that the product will operate properly and perform its intended function. Check for damaged parts and any other conditions that may affect the operation of this product. Replace damaged or worn parts, and never use this product with a damaged part.
- 6. Do NOT let children climb or play on the cart.**
- 7. Do NOT overload the product.** Weight capacity for evenly distributed weight.

Weight capacity per Shelf	75 lb
Weight capacity on Wood Top	100 lb
Weight capacity per Drawer	25 lb
Total weight capacity of Kitchen Island	300 lb

- 8. Lock the casters when leaving cart in stationary position.** If wish to convert to remain permanently stationary, feet levelers (XBK-98-003-25384) are available as an accessory through www.trinityii.com website.
- 9. Do NOT roll the product on an uneven surface.** Only move the product on a smooth surface. Rolling over rough or uneven surfaces may cause casters to break or items on the product to fall, resulting in injury and / or damage. Wood and laminate flooring can be scratched or dented. Ensure your flooring can bear the weight of loaded product before rolling loaded product across your flooring.

CARE AND MAINTENANCE

- Avoid harsh, abrasive cleaners, and other corrosive chemicals.
- Clean up any spills immediately to prevent stains from forming on the wood top.
- Wood top can be cleaned with damp cloth and wiped dry immediately with dry cloth. If needed, solvent-based wood furniture cleaner can be used.

PRODUCT REGISTRATION

Thank you for purchasing a TRINITY 48" Bamboo Kitchen Island with Drawers. In order to register your product and receive streamlined customer service, please fill out the following Product Registration Form and (1) fax the form to 310.347.4134 (2) complete the Product Registration Form online at www.trinityii.com or (3) scan and email the form to customerservice@trinityii.com. Include a copy of your original receipt with your submission.

First Name: _____ Last Name: _____

Address: _____

City: _____ State: _____ Zip Code: _____

Email Address: _____ Phone: _____

Product Model #: _____ Purchase Date: ____ / ____ / ____

Location of Purchase: _____

Please rate the importance of each feature (1=least important; 10=most important)

Quality ____ Price ____ Size/Capacity ____ Appearance ____ Other ____

How did you hear about our product?

- Magazine Ad Catalog Salesperson Word of Mouth
 Internet Store Display Other

Marital Status: Single Married

Household Income: Below \$50,000 \$50,000-\$150,000 \$150,000+

Education: High School College Graduate School

Primary Residence: Own Rent

Comments/Suggestions:

1 YEAR LIMITED WARRANTY

TRINITY 48" Kitchen Island with Drawers Model # TBFLNA-1407 / TBFLWH-1407

Trinity International Industries ("Trinity") warrants to the original consumer purchaser ("Purchaser") of the TRINITY 48" Bamboo Kitchen Island with Drawers ("Product") that each Product shall be free from defects in workmanship and materials for a period of 1 year from the date of original purchase. Trinity's obligation under this warranty shall be limited to repair or replacement of, or adequate compensation for the Product which shall not be greater than the amount of the purchase price of the Product, at the option of Trinity, during the warranty period. All replaced parts and Products become the property of Trinity and must be returned to Trinity.

This warranty excludes normal wear and tear of the Product and its parts or components, and damage arising from any of the following: negligent use or misuse of the Product, use contrary to this User's Manual, or alteration by any one other than Trinity. The warranty period of 1 year shall not be extended or renewed by the repair or replacement of, or compensation for, the Product. Any warranty implied by applicable law is limited in duration to one year from the date of purchase and is subject to the same conditions and limitations as is provided for our express warranty.

Except as set forth herein, and to the extent of applicable there are no warranties on this Product either express or implied, and Trinity disclaims all warranties including, but not limited to, any implied warranties of merchantability, infringement or fitness for a particular purpose. No warranty or guarantee given by any person, firm, or corporation with respect to this product shall be binding on Trinity.

If your Product is defective or otherwise requires service or parts, please call TRINITY Customer Service toll-free at (800) 985-5506, between 5:00 a.m. and 5:00 p.m., PST. Please tell us which model you purchased, the date of the purchase, and the problem with your Product. A copy of your original purchase receipt must accompany your service request.

LIMITATION OF REMEDIES AND LIABILITY

Trinity (and its employees, officers, members, managers, affiliates and assigns) shall not be liable for any incidental, consequential, special, indirect, remote, special or punitive damages for breach of any warranty, express or implied, including, but not limited to, lost profits, lost savings, loss of anticipated benefits and attorneys' fees, which arise out of the purchase, use or inability to use the Product, whether arising out of contract, negligence, strict tort, product liability, or any other legal theory on which a claim is based. As noted above, to the extent damages are allowed by our express warranty or by applicable law, those damages may not exceed the purchase price paid for the Product. Without limiting the foregoing Purchaser assumes all risk and liability for loss, damage or injury to Purchaser and Purchaser's property and to others and their property arising out of the use, misuse, or inability to use this Product. This limited warranty shall not extend to anyone other than the original purchaser of this product, is nontransferable and states your exclusive remedy.

Some states do not allow the exclusion or limitation of incidental, consequential, special, or punitive damages, so the above limitation or exclusion may not apply to you. The above warranty gives you specific legal rights, and you may have other rights which vary from state to state.

CONTACT US

**QUESTIONS? NEED PARTS?
WE ARE HERE TO HELP!**

Please feel free to contact us. There are no questions too small, or any problems too big. We're committed to providing our customers with the highest level of service.

TRINITY Customer Service

TEL: 800.985.5506

FAX: 310.347.4134

EMAIL: customerservice@trinityii.com

**Monday through Friday
5:00 AM – 5:00 PM (PST)**

www.trinityii.com