



OWNER'S MANUAL



TRINITY PRO ECOSTORAGE® BAMBOO TOP KITCHEN CART

Model # TBFZ-1412 / TBFPRA-1412



Important / Important / Importante

FOR QUICK & EASY 3D ASSEMBLY INSTRUCTIONS

POUR DES DIRECTIVES D'ASSEMBLAGE 3D RAPIDES ET FACILES

PARA INSTRUCCIONES DE ENSAMBLAJE RÁPIDAS Y SENCILLAS EN 3D

BILT.[®]

Intelligent Instructions
Directives intelligentes
Instrucciones Inteligentes



DOWNLOAD THE FREE APP | TÉLÉCHARGER L'APPLICATION GRATUITE | DESCARGUE LA APLICACIÓN GRATUITA

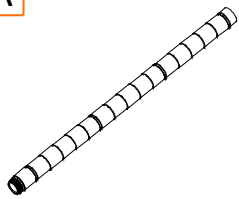
PARTS LIST

Your TRINITY PRO EcoStorage® Bamboo Top Kitchen Cart should include the following parts. Please inspect box contents to ensure you have received all components.

If you are missing any parts, need assistance with assembly or have questions, please contact TRINITY Customer Service: 800.985.5506 or customerservice@trinityii.com. Parts can also be requested online via "Contact Us" section at www.trinityii.com.

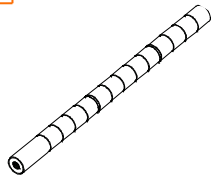
You will NOT need additional tools for assembly.

A



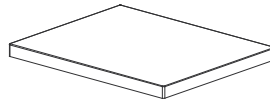
TOP POLE (4)
End Cap (4) and
Pole Connector (4)
pre-installed

B



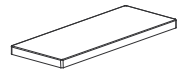
BOTTOM POLE (4)

C



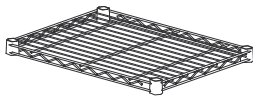
**BAMBOO
CUTTING BOARD (1)**

D



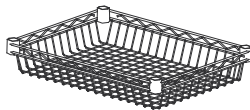
**BAMBOO SIDE
BOARD (2)**

E



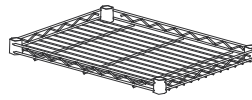
SHELF (1)

F



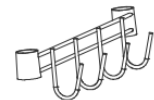
BASKET (1)

G



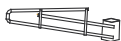
**LIP UP
SHELF (1)**

H



SIDEBAR (1)

I



LEFT ARM (2)

J



RIGHT ARM(2)

K



**NON-LOCKING
CASTER (2)**

L



**LOCKING CASTER
(2)**

M



WRENCH (1)

N



**SLIP SLEEVE
(36) + (4) extra**

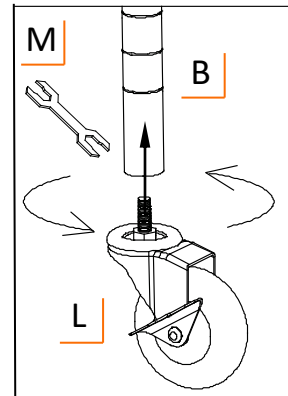
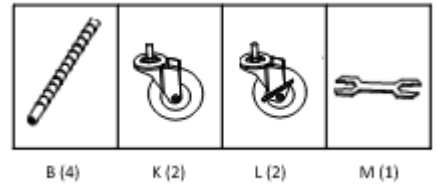


ASSEMBLY INSTRUCTIONS

STEP 1

Screw each CASTER (K & L) into threaded insert of each BOTTOM POLE (B). Turn clockwise to screw in place.

Use provided caster WRENCH (M) to tighten completely. Failure to do as instructed could result in caster stem breaking.



STEP 2

On BOTTOM POLE (B), place one pair of SLIP SLEEVES (N) at desired height **no higher than 3rd** indentation from bottom. Make sure arrow faces up and word "TOP" is right-side up. Do this for each BOTTOM POLE (B). Make sure SLIP SLEEVES (N) height is identical for each BOTTOM POLE (B).

Note that each POLE (A & B) has slight horizontal line indentations at 1" intervals. Each SLIP SLEEVE (N) has raised horizontal lines inside designed to lock in place on POLE (A & B).

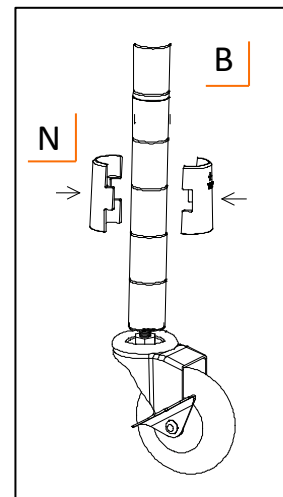
Slide pair of SLIP SLEEVES (N) until you hear a click to confirm they are locked onto BOTTOM POLE (B). Do NOT place more than one pair on each POLE (A & B) at a time.

Note:

There will be a very small gap in-between two locked SLIP SLEEVES (N)—this is normal.



N (8)



ASSEMBLY INSTRUCTIONS

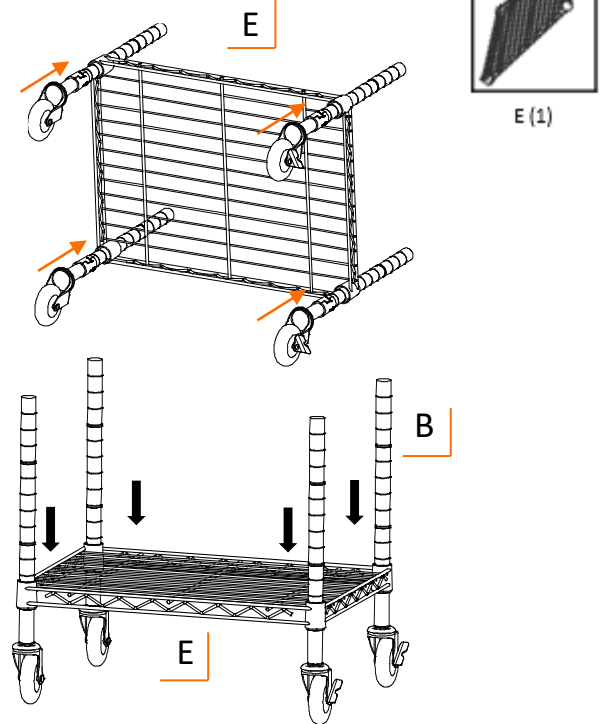
STEP 3

Place SHELF (E) on its side and slide each BOTTOM POLE (B) through each corner cylinder of SHELF (E). Make sure LOCKING CASTERS (L) are on same side of Kitchen Cart and make sure corner cylinders are positioned over SLIP SLEEVES (N).

Slowly stand unit upright.

Note:

- *Level side of SHELF (E) is TOP side (TRINITY PRO logo on corner cylinders should be right-side up).*
- *Use a rubber mallet, if needed, to secure SHELF (E).*

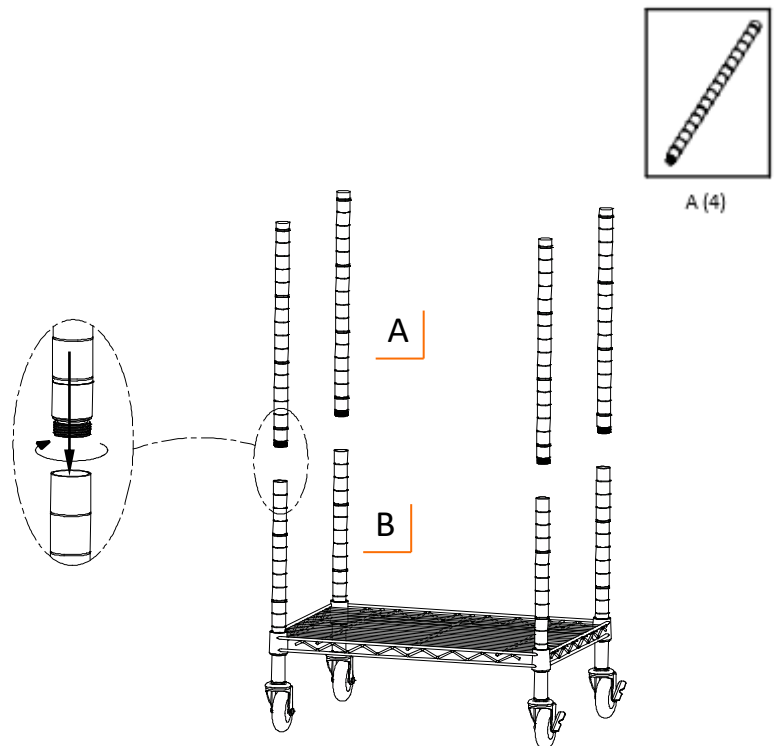


STEP 4

Screw TOP POLES (A) into BOTTOM POLES (B).

Note:

- *Pole Connectors are pre-installed in bottom of TOP POLES (A).*
- *The top of TOP POLE (A) is indicated by a BLACK END CAP.*



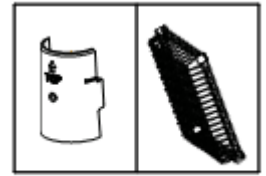
ASSEMBLY INSTRUCTIONS

STEP 5

Repeat STEP 2 & 3 to attach BASKET (F).

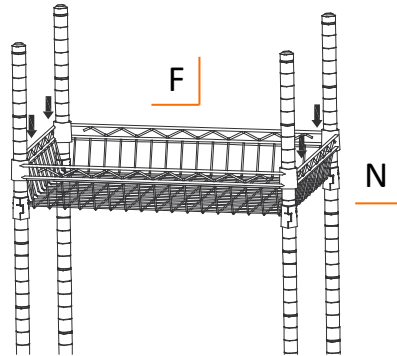
Note:

Use a rubber mallet, if needed, to secure BASKET (F).



N (8)

F (1)



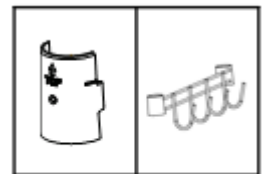
STEP 6

Attach one pair of SLIP SLEEVES (N) to poles on shorter side of Kitchen Cart as below image shows. Make sure SLIP SLEEVES (N) position is at 6th indentation (or below) from pole top to leave enough pole length for other parts.

Slide SIDEBAR (H) unto poles, make sure corner cylinders are positioned over SLIP SLEEVES (N).

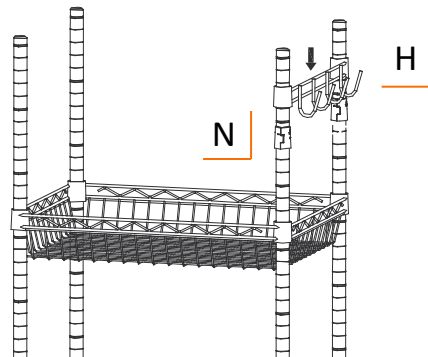
Note:

Use a rubber mallet, if needed, to secure SIDEBAR (H).



N (4)

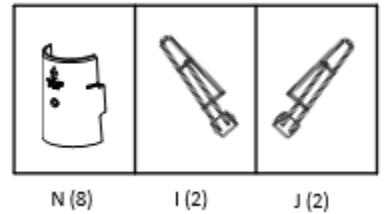
H (1)



ASSEMBLY INSTRUCTIONS

STEP 7

Attach one pair of SLIP SLEEVES (N) to each pole at 2nd indentation below double line. Slide pair of SLIP SLEEVES (N) until you hear a click to confirm they are locked onto TOP POLE (A).

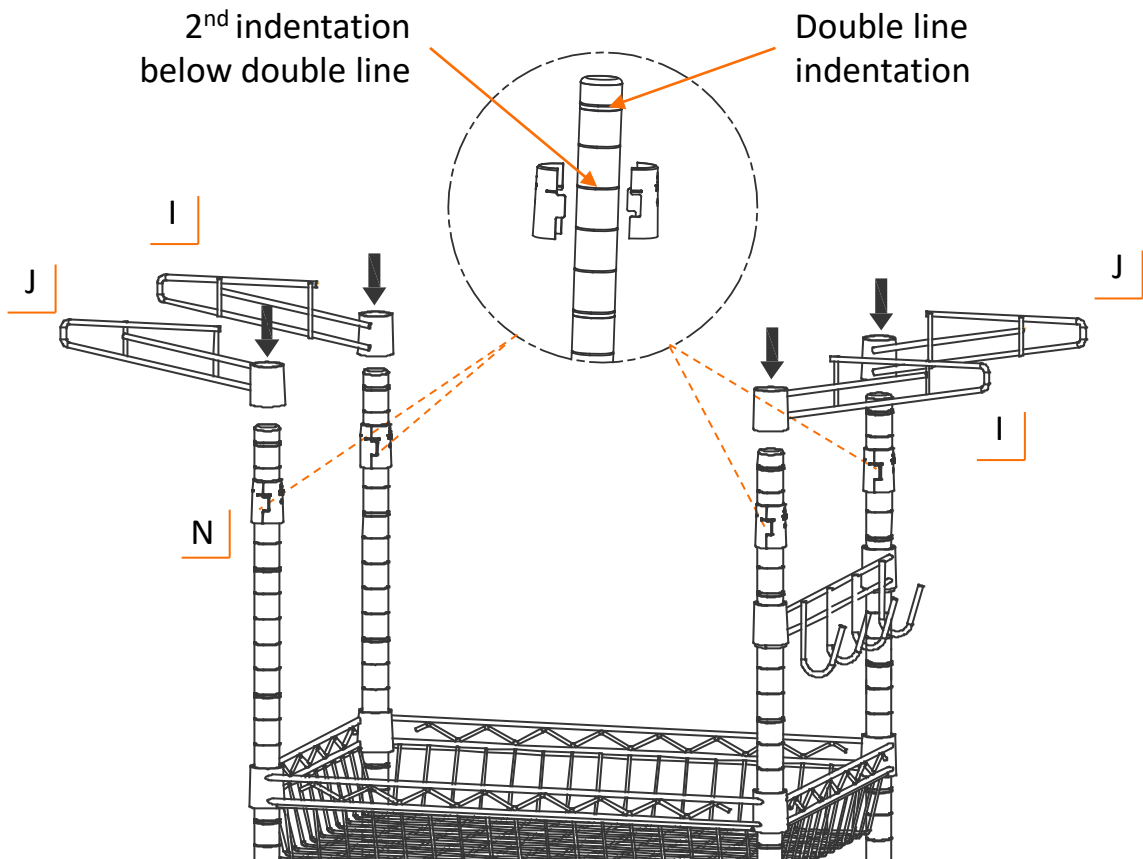


Facing side of Kitchen Cart with SIDEBAR (H) attached, slide LEFT ARM (I) unto pole on left side and RIGHT ARM (J) unto pole on right side. Properly positioned, support wires should be on INSIDE of poles facing each other. Make sure each collar cylinder is positioned over SLIP SLEEVES (N).

Move to other side of Kitchen Cart and repeat step to install other pair of LEFT ARM (I) and RIGHT ARM (J).

Note:

- LEFT ARM (I) has an "L" sticker on it and RIGHT ARM (J) has an "R" sticker on it.
- Make sure tops of each pair of support arms are level so BAMBOO SIDE BOARD (D) will lay flat when installed. Use a rubber mallet, if needed, to secure LEFT ARM (I) and RIGHT ARM (J) and make them level.



ASSEMBLY INSTRUCTIONS

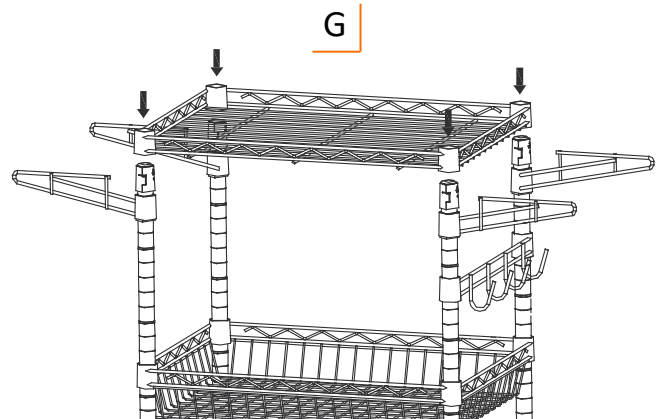
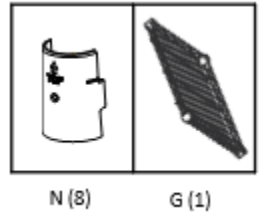
STEP 8

Attach one pair of SLIP SLEEVES (N) to each pole at 1st indentation from top. Slide pair of SLIP SLEEVES (N) until you hear a click to confirm they are locked onto TOP POLE (A).

Place LIP UP SHELF (G) onto poles with corner cylinders positioned over SLIP SLEEVES (N).

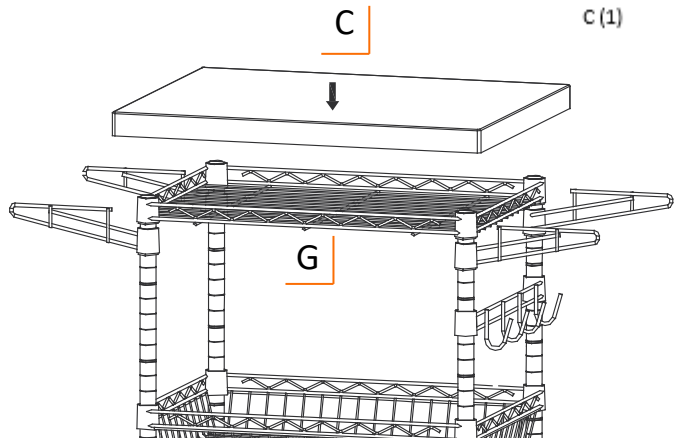
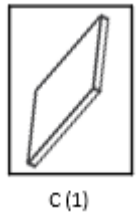
Note:

Use a rubber mallet, if needed, to secure LIP UP SHELF (G).



STEP 9

Place BAMBOO CUTTING BOARD (C) on LIP UP SHELF (G), make sure SHELF corners are inside cutout area of BAMBOO CUTTING BOARD (C).



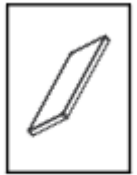
ASSEMBLY INSTRUCTIONS

STEP 10

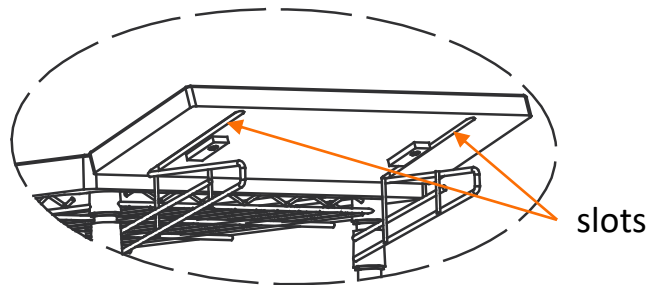
Take one BAMBOO SIDE BOARD (D), check to make sure rotating locks are parallel to slots on bottom of BAMBOO SIDE BOARD (D). Place BAMBOO SIDE BOARD (D) on a pair of LEFT ARM (I) and RIGHT ARM (J). Push BAMBOO SIDE BOARD (D) against BAMBOO CUTTING BOARD (C) to line them up. Move each support arm to make sure they are sitting inside slots.

Turn rotating locks 90 degrees across slots and wires of LEFT ARM (I) and RIGHT ARM (J) to secure BAMBOO SIDE BOARD (D).

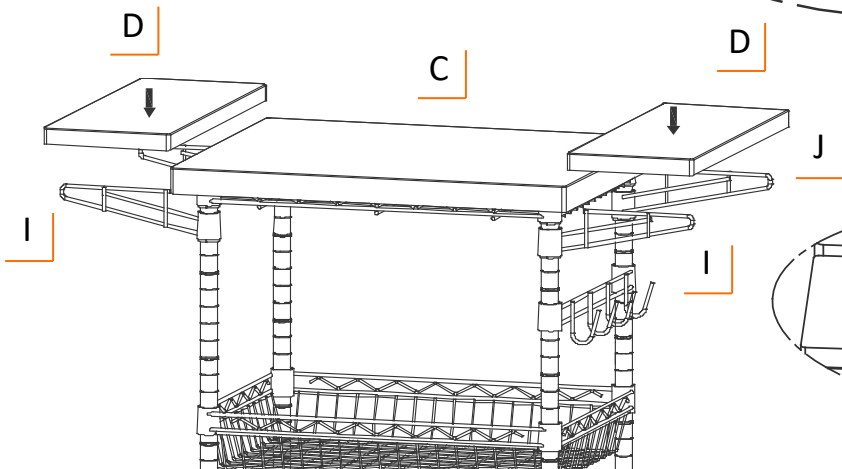
Repeat step with other BAMBOO SIDE BOARD (D).



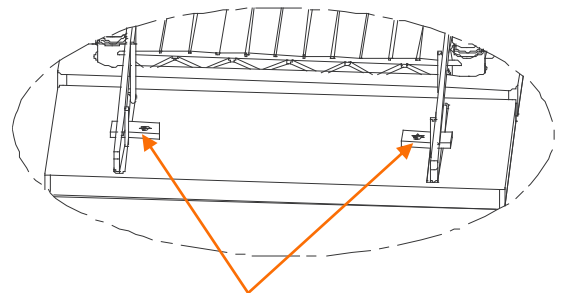
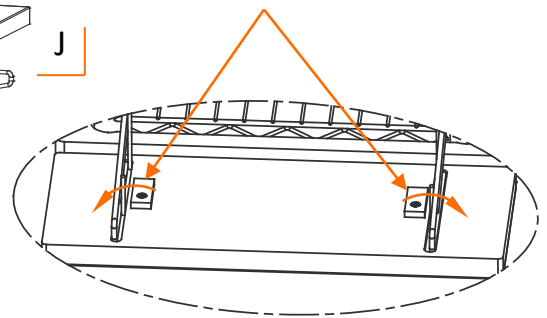
D (2)



slots



rotating locks

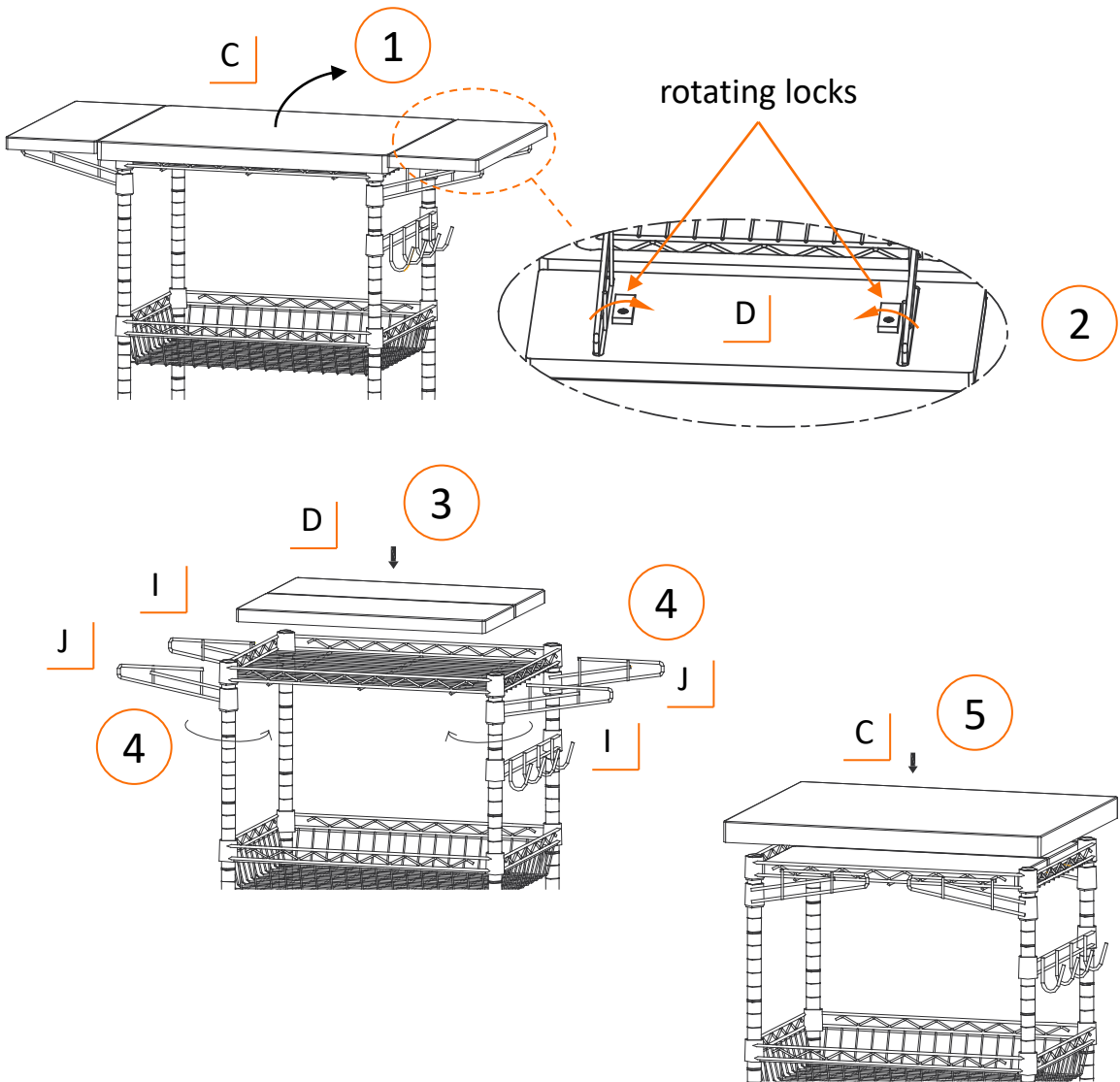


secured lock position

USAGE INSTRUCTIONS

Storing Bamboo Side Boards

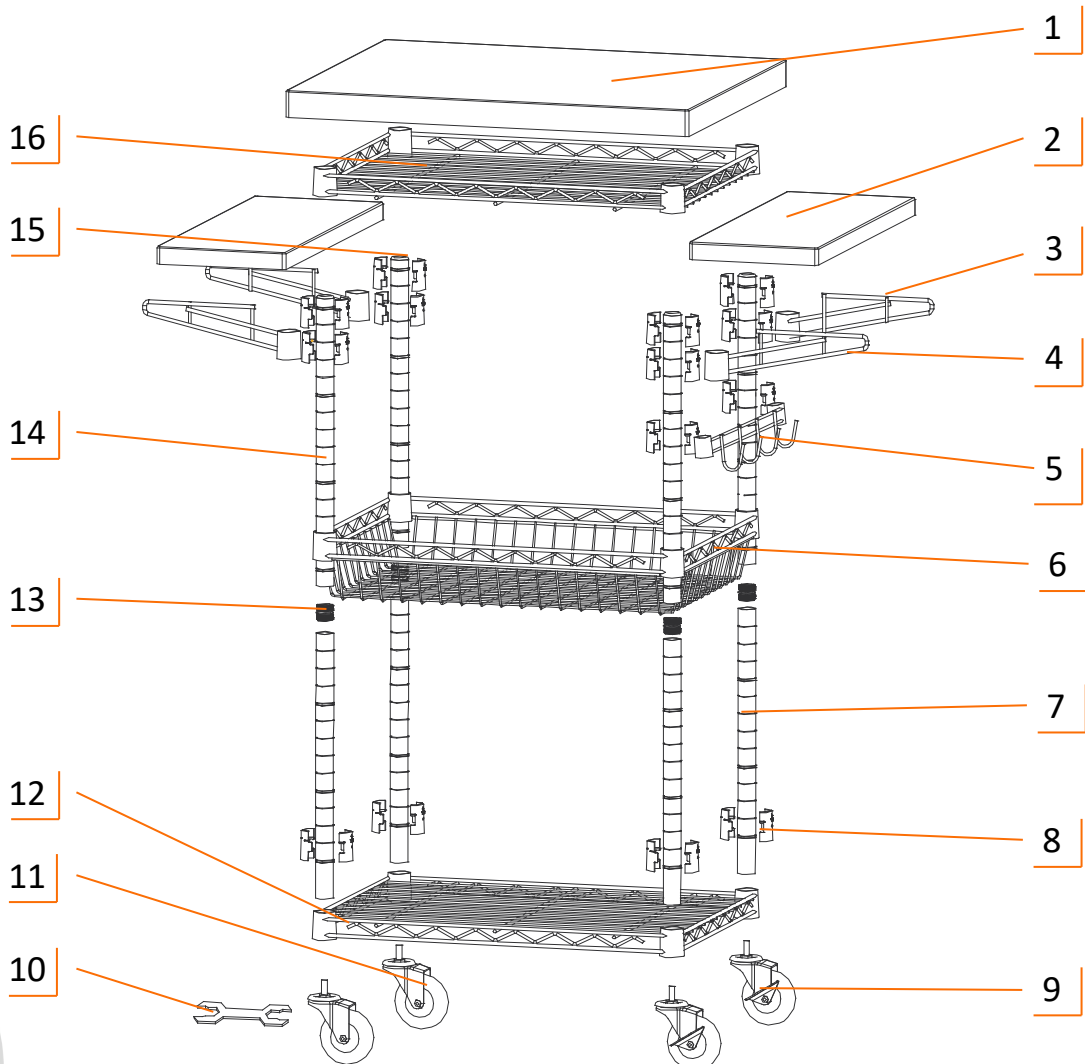
1. Remove BAMBOO CUTTING BOARD (C).
2. Unlock BAMBOO SIDE BOARD (D) by turning rotating locks so they are parallel to slots.
3. Remove BAMBOO SIDE BOARDS (D) and place them inside LIP UP SHELF (G) side by side.
4. Rotate LEFT ARM (I) AND RIGHT ARM (J) toward long edge of LIP UP SHELF (G) until they rest against shelf.
5. Put BAMBOO CUTTING BOARD (C) back onto LIP UP SHELF (G) over BAMBOO SIDE BOARDS (D), make sure SHELF corners are inside cutout area of BAMBOO CUTTING BOARD (C).



SERVICE PARTS LIST – TBFZ-1412 (Chrome Color)

TRINITY Customer Service provides the following replacement parts:

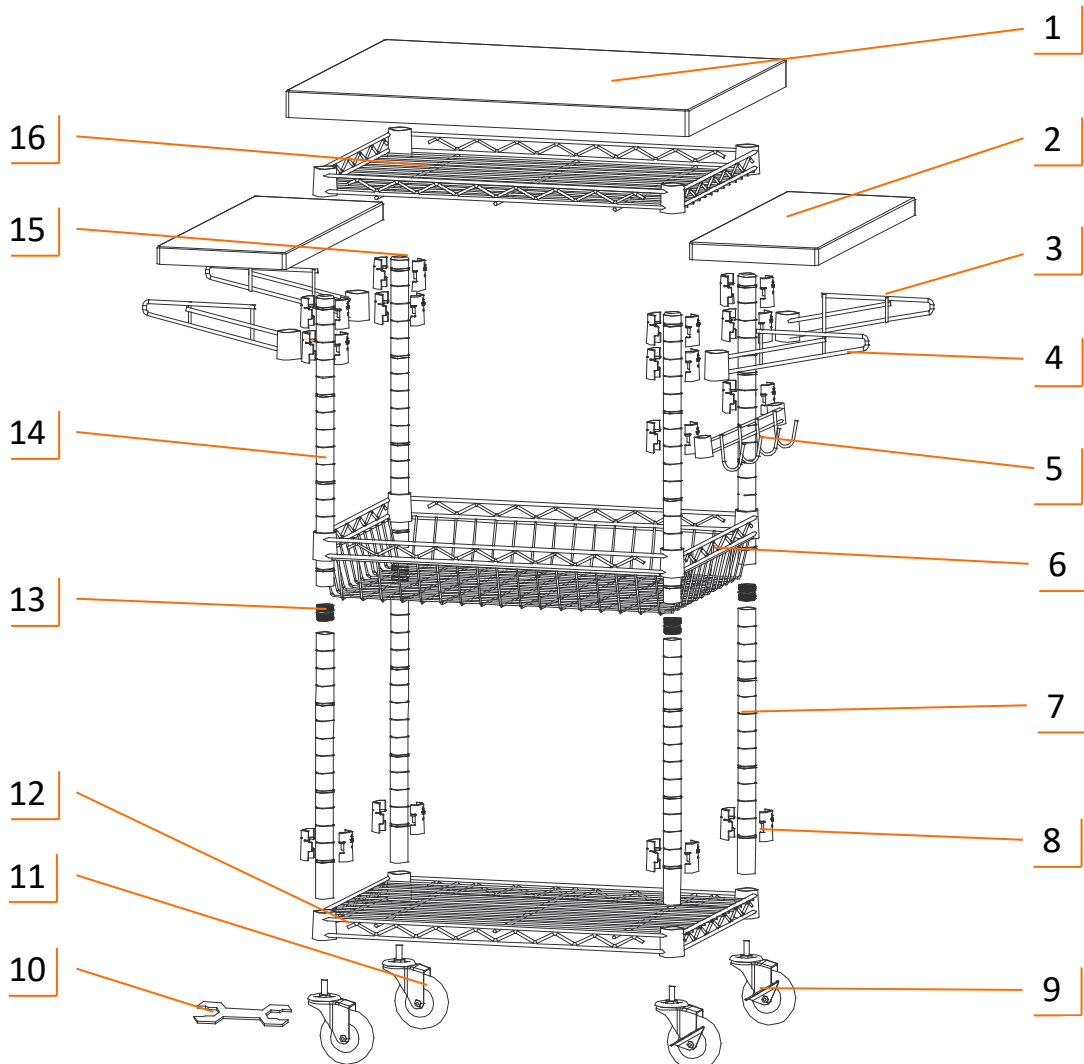
Part Number	Description	Part Number	Description		
1)	ONA-20-006-2419	Bamboo Cutting Board	9)	ZSV-99-008-3010	Locking Caster
2)	ONA-20-007-0819	Bamboo Side Board	10)	XXX-97-002-0001	Wrench
3)	ZSV-19-013-0925	Right Arm	11)	ZSV-99-007-3010	Non-locking Caster
4)	ZSV-19-014-0925	Left Arm	12)	ZSV-03-071-2216	Shelf
5)	ZSV-02-007-0009	Sidebar	13)	ZSV-01-030-2523	Pole Connector
6)	ZSV-21-012-2216	Basket	14)	ZSV-04-029-1675	Top Pole
7)	ZSV-04-031-1525	Bottom Pole	15)	XBK-23-004-2517	End Cap
8)	XBK-01-012-2543	Slip Sleeve	16)	ZSV-03-072-2216	Lip Up Shelf



SERVICE PARTS LIST – TBFpra-1412 (Bronze Anthracite Color)

TRINITY Customer Service provides the following replacement parts:

Part Number	Description	Part Number	Description		
1)	ONA-20-006-2419	Bamboo Cutting Board	9)	ZSV-99-008-3010	Locking Caster
2)	ONA-20-007-0819	Bamboo Side Board	10)	XXX-97-002-0001	Wrench
3)	PRA-19-013-0925	Right Arm	11)	ZSV-99-007-3010	Non-locking Caster
4)	PRA-19-014-0925	Left Arm	12)	PRA-03-071-2216	Shelf
5)	PRA-02-007-0009	Sidebar	13)	ZSV-01-029-2523	Pole Connector
6)	PRA-21-012-2216	Basket	14)	PRA-04-025-1675	Top Pole
7)	PRA-04-027-1525	Bottom Pole	15)	XBK-23-004-2517	End Cap
8)	XBK-01-012-2543	Slip Sleeve	16)	PRA-03-072-2216	Lip Up Shelf



WARNINGS

1. **Read and understand all instructions.** Failure to follow all instructions may result in injury and/or damage.
2. **Use the provided caster wrench to tighten casters completely.** Failure to do as instructed could result in the caster stem breaking thereby causing the cart to collapse.
3. **The warnings, cautions, and instructions discussed in this manual cannot cover all possible conditions or situations that may occur.** The user must always be aware of their environment and ensure that they use the product in a safe and responsible manner.
4. **Do NOT modify the product in any way.** Unauthorized modification may impair the function and/or safety of the product, and may affect the life of the product. Any modifications will void product warranty.
5. **Check for damaged parts.** Before using this product, carefully check that all parts are in good condition, and that the product will operate properly and perform its intended function. Check for damaged parts and any other conditions that may affect the operation of this product. Replace damaged or worn parts, and never use this product with a damaged part.
6. **Do NOT overload the product.**

Weight capacity per Shelf (evenly distributed)	200 lb
Weight capacity per Basket (evenly distributed)	65 lb
Total weight capacity of Cart (evenly distributed)	500 lb

7. **Do NOT allow children to climb or play around the product.** Tipping may occur causing injury.
8. **Do NOT stand or lean on the product or use any part of this product as a step ladder.** Only use the product on an even and stable surface. Tipping may occur causing injury.
9. **Do NOT roll the product on an uneven surface.** Only move the product on a smooth surface. Rolling over rough or uneven surfaces may cause casters to break or items on the product to fall, resulting in injury and / or damage. Wood and laminate flooring can be scratched or dented. Ensure your flooring can bear the weight of loaded product before rolling loaded product across your flooring.
10. **Always lock bamboo side boards when mounting them on support arms.** Failure to do as instructed could result in bamboo side boards falling causing injury.
11. **Do NOT use bamboo side boards as cutting surface.**
12. **Make sure that the wheels are LOCKED when using the bamboo cutting board as a cutting or work surface.**
13. **Do NOT leave knives or sharp objects on the bamboo boards unattended.**

CARE AND MAINTENANCE

- Avoid harsh, abrasive cleaners, and other corrosive chemicals.
- Bamboo board should be hand washed only and periodically treated with food safe oil.
- Store away bamboo side boards and support arms when not in use.
- Keep casters locked when kitchen cart is stored.
- This product is designed for indoor use only.

PRODUCT REGISTRATION

Thank you for purchasing a TRINITY PRO EcoStorage® Bamboo Top Kitchen Cart. In order to register your product and receive streamlined customer service, please fill out the following Product Registration Form and (1) fax the form to 310.347.4134 (2) complete the Product Registration Form online at www.trinityii.com or (3) scan and email the form to customerservice@trinityii.com. Include a copy of your original receipt with your submission.

First Name: _____ Last Name: _____

Address: _____

City: _____ State: _____ Zip Code: _____

Email Address: _____ Phone: _____

Product Model #: TBFZ-1412 / TBFPR-1412 Purchase Date: ____ / ____ / ____

Location of Purchase: _____

Please rate the importance of each feature (1=least important; 10=most important)

Quality ____ Price ____ Size/Capacity ____ Appearance ____ Other ____

How did you hear about our product?

- Magazine Ad Catalog Salesperson Word of Mouth
 Internet Store Display Other

Marital Status: Single Married

Household Income: Below \$50,000 \$50,000-\$150,000 \$150,000+

Education: High School College Graduate School

Primary Residence: Own Rent

Comments/Suggestions:



1 YEAR LIMITED WARRANTY

TRINITY PRO EcoStorage® Bamboo Top Kitchen Cart Model # TBFZ-1412 / TBFPA-1412

Trinity International Industries (“Trinity”) warrants to the original consumer purchaser (“Purchaser”) of the TRINITY PRO EcoStorage® Bamboo Top Kitchen Cart (“Product”) that each Product shall be free from defects in workmanship and materials for a period of 1 year from the date of original purchase. Trinity’s obligation under this warranty shall be limited to repair or replacement of, or adequate compensation for the Product which shall not be greater than the amount of the purchase price of the Product, at the option of Trinity, during the warranty period. All replaced parts and Products become the property of Trinity and must be returned to Trinity.

This warranty excludes normal wear and tear of the Product and its parts or components, and damage arising from any of the following: negligent use or misuse of the Product, use contrary to this User’s Manual, or alteration by anyone other than Trinity. The warranty period of 1 year shall not be extended or renewed by the repair or replacement of, or compensation for, the Product. Any warranty implied by applicable law is limited in duration to one year from the date of purchase and is subject to the same conditions and limitations as is provided for our express warranty.

Except as set forth herein, and to the extent of applicable there are no warranties on this Product either express or implied, and Trinity disclaims all warranties including, but not limited to, any implied warranties of merchantability, infringement or fitness for a particular purpose. No warranty or guarantee given by any person, firm, or corporation with respect to this product shall be binding on Trinity.

If your Product is defective or otherwise requires service or parts, please call TRINITY Customer Service toll-free at (800) 985-5506, between 5:00 a.m. and 5:00 p.m., PST. Please tell us which model you purchased, the date of the purchase, and the problem with your Product. A copy of your original purchase receipt must accompany your service request.

LIMITATION OF REMEDIES AND LIABILITY

Trinity (and its employees, officers, members, managers, affiliates and assigns) shall not be liable for any incidental, consequential, special, indirect, remote, special or punitive damages for breach of any warranty, express or implied, including, but not limited to, lost profits, lost savings, loss of anticipated benefits and attorneys’ fees, which arise out of the purchase, use or inability to use the Product, whether arising out of contract, negligence, strict tort, product liability, or any other legal theory on which a claim is based. As noted above, to the extent damages are allowed by our express warranty or by applicable law, those damages may not exceed the purchase price paid for the Product. Without limiting the foregoing Purchaser assumes all risk and liability for loss, damage or injury to Purchaser and Purchaser’s property and to others and their property arising out of the use, misuse, or inability to use this Product. This limited warranty shall not extend to anyone other than the original purchaser of this product, is nontransferable and states your exclusive remedy.

Some states do not allow the exclusion or limitation of incidental, consequential, special, or punitive damages, so the above limitation or exclusion may not apply to you. The above warranty gives you specific legal rights, and you may have other rights which vary from state to state.

CONTACT US

**QUESTIONS? NEED PARTS?
WE ARE HERE TO HELP!**

Please feel free to contact us. There are no questions too small, or any problems too big. We're committed to providing our customers with the highest level of service.

TRINITY Customer Service

TEL: 800.985.5506

FAX: 310.347.4134

EMAIL: customerservice@trinityii.com

**Monday through Friday
5:00 AM – 5:00 PM (PST)**

www.trinityii.com