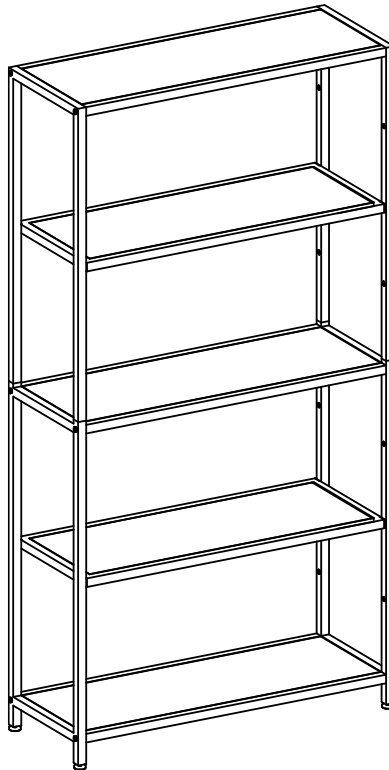




## OWNER'S MANUAL



**TRINITY 5-TIER 32" X 12" X 60" BAMBOO SHELVING  
- BRONZE ANTHRACITE  
Model # TBFPA-3611**



**Important / Important / Importante**



FOR QUICK & EASY 3D ASSEMBLY INSTRUCTIONS

POUR DES DIRECTIVES D'ASSEMBLAGE 3D RAPIDES ET FACILES

PARA INSTRUCCIONES DE ENSAMBLAJE RÁPIDAS Y SENCILLAS EN 3D

**BILT.**<sup>®</sup>

Intelligent Instructions  
Directives intelligentes  
Instrucciones Inteligentes



DOWNLOAD THE FREE APP | TÉLÉCHARGER L'APPLICATION GRATUITE | DESCARGUE LA APLICACIÓN GRATUITA

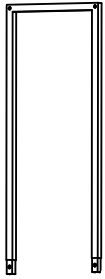
# PARTS LIST

Your TRINITY 5-Tier 32" x 12" x 60" Bamboo Shelving should include the following parts. Please inspect box contents to ensure you have received all components.

If you are missing any parts, need assistance with assembly or have questions, please contact TRINITY Customer Service: 800.985.5506 or [customerservice@trinityii.com](mailto:customerservice@trinityii.com). Parts can also be requested online at [www.trinityii.com](http://www.trinityii.com) (Help & More, Contact Us).

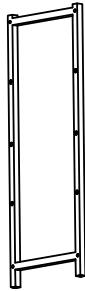
You will need no additional tools for assembly.

A



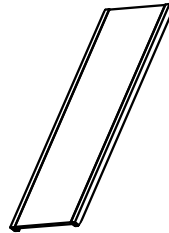
**TOP SIDE  
FRAME (2)**

B



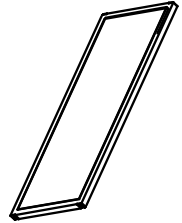
**BOTTOM SIDE  
FRAME (2)**

C



**FIXED SHELF (3)**

D



**ADJUSTABLE  
SHELF (2)**

E



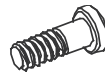
**SCREW (12)**

F



**FEET  
LEVELER (4)**

G



**ADJUSTABLE  
SHELF REST (8)**

H

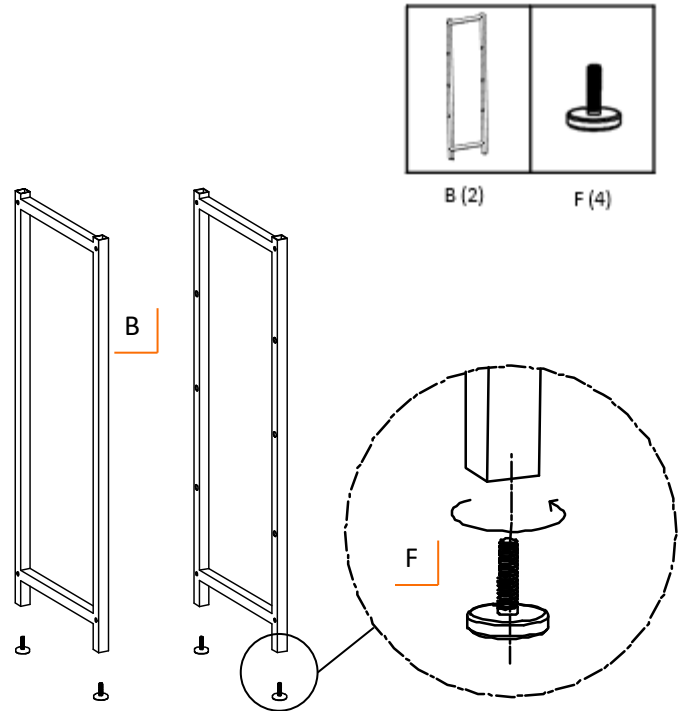


**HEX KEY (1)**

# ASSEMBLY INSTRUCTIONS

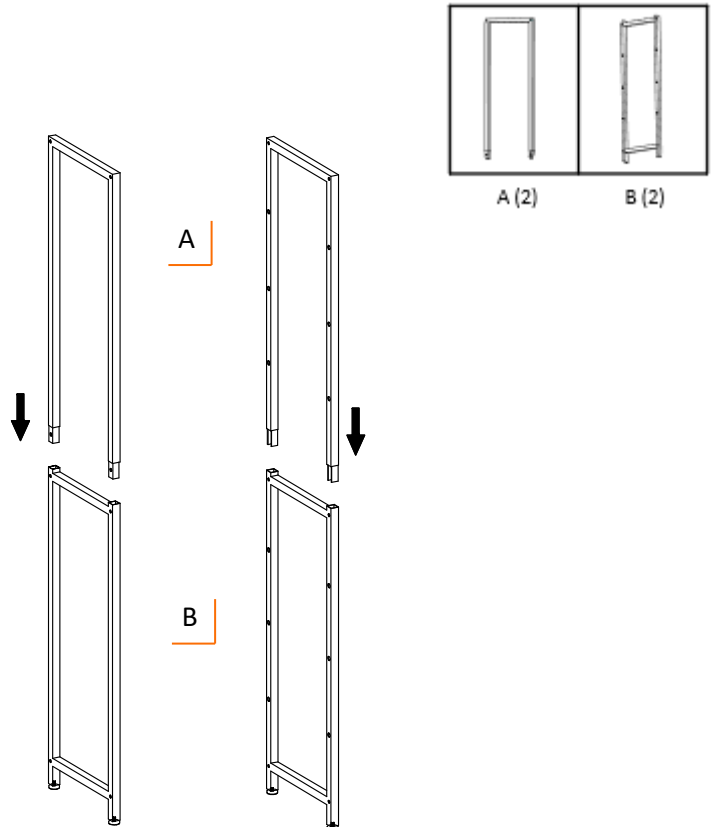
## STEP 1

Screw FEET LEVELER (F) into leg bottom of BOTTOM SIDE FRAME (B).  
Turn clockwise to screw in place.



## STEP 2

Connect TOP SIDE FRAME (A) with  
BOTTOM SIDE FRAME (B) on their  
open ends. Make sure the threaded  
inserts for the Adjustable Shelves  
are on the same side for TOP & BOTTOM  
SIDE FRAME (A & B).



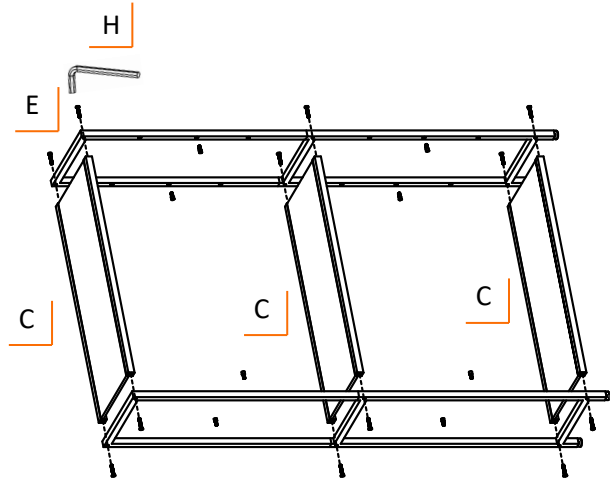
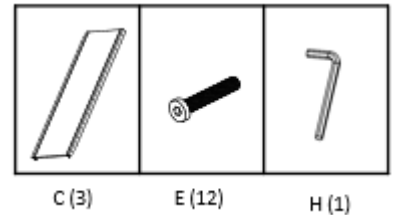
# ASSEMBLY INSTRUCTIONS

## STEP 3

Lay SIDE FRAMES (A + B assembled in Step 2) on its side. Make sure the face with threaded inserts for the Adjustable Shelves faces INSIDE as you assemble the FIXED SHELVES (C).

Place FIXED SHELVES (C) on their sides and connect them to SIDE FRAMES (A + B) at the top, middle & bottom bar positions. Tighten SCREWS (E) with HEX KEY (H).

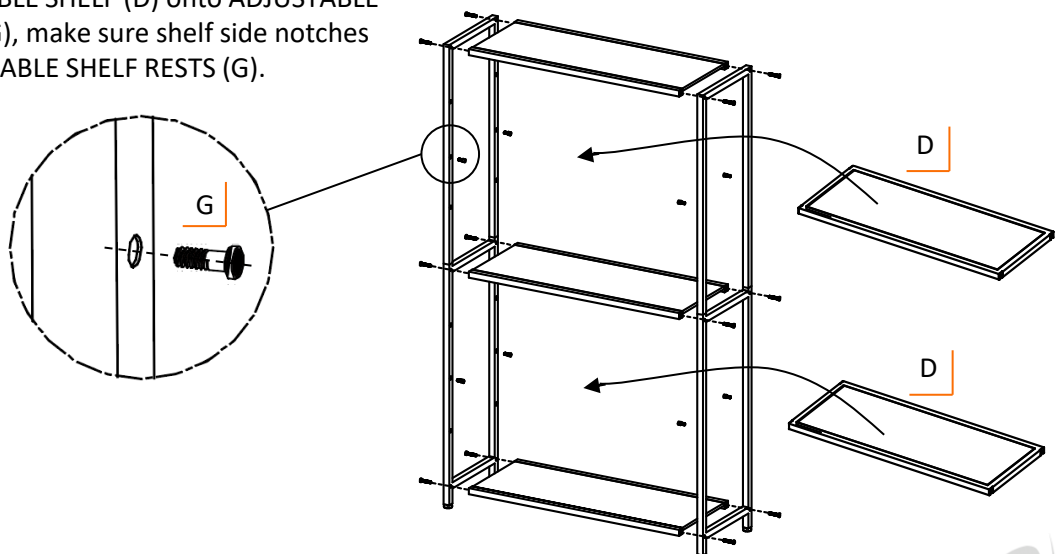
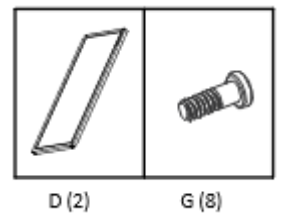
Stand the unit upright.



## STEP 4

Hand screw ADJUSTABLE SHELF RESTS (G) into desired level position on SIDE FRAME (A + B).

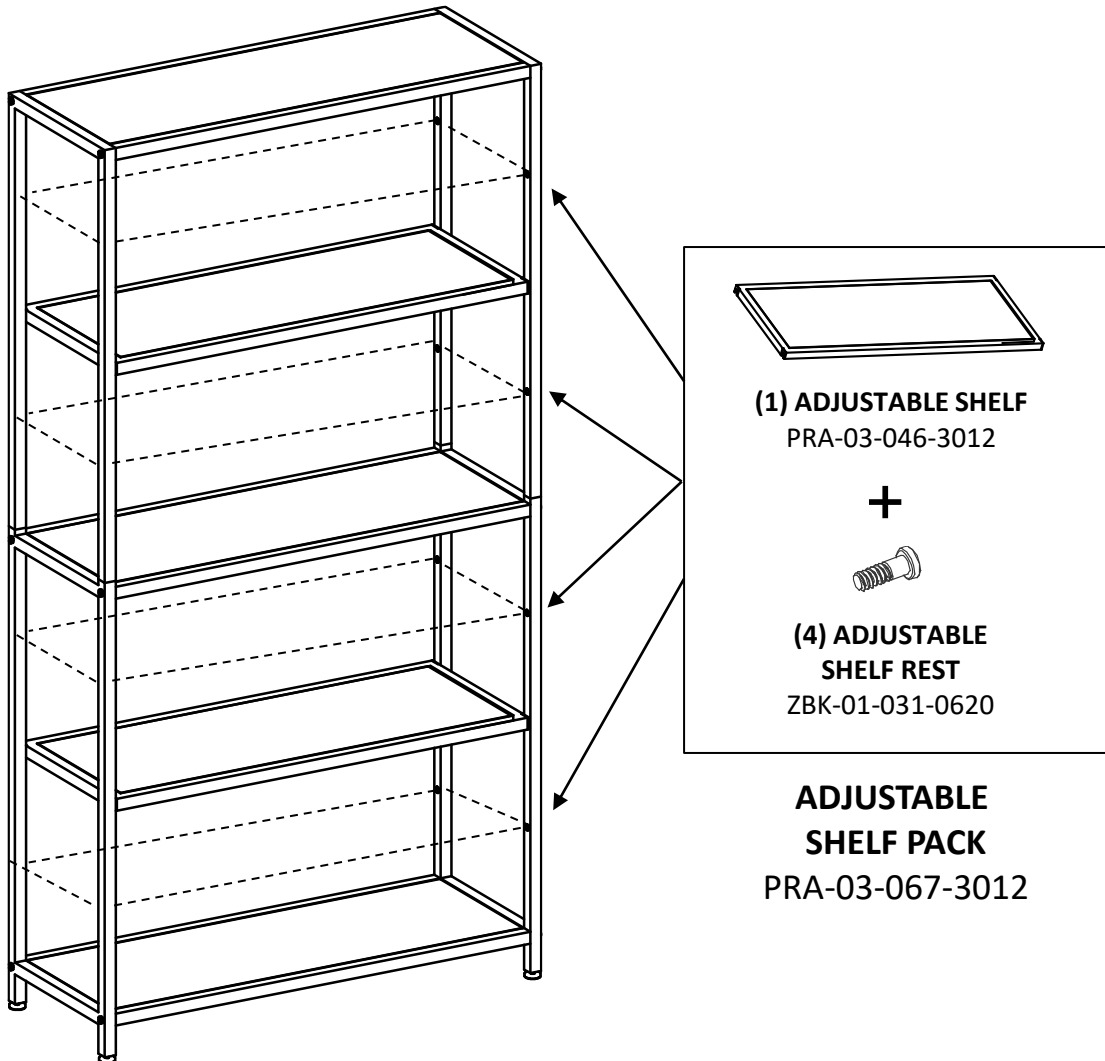
Place ADJUSTABLE SHELF (D) onto ADJUSTABLE SHELF RESTS (G), make sure shelf side notches rest on ADJUSTABLE SHELF RESTS (G).



## PRODUCT EXTRA SHELF OPTIONS

There are extra screw holes in this product for more ADJUSTABLE SHELVES. You will need 1 ADJUSTABLE SHELF (PRA-03-046-3012) and 4 ADJUSTABLE SHELF RESTS (ZBK-01-031-0620) to add one extra shelf to the product.

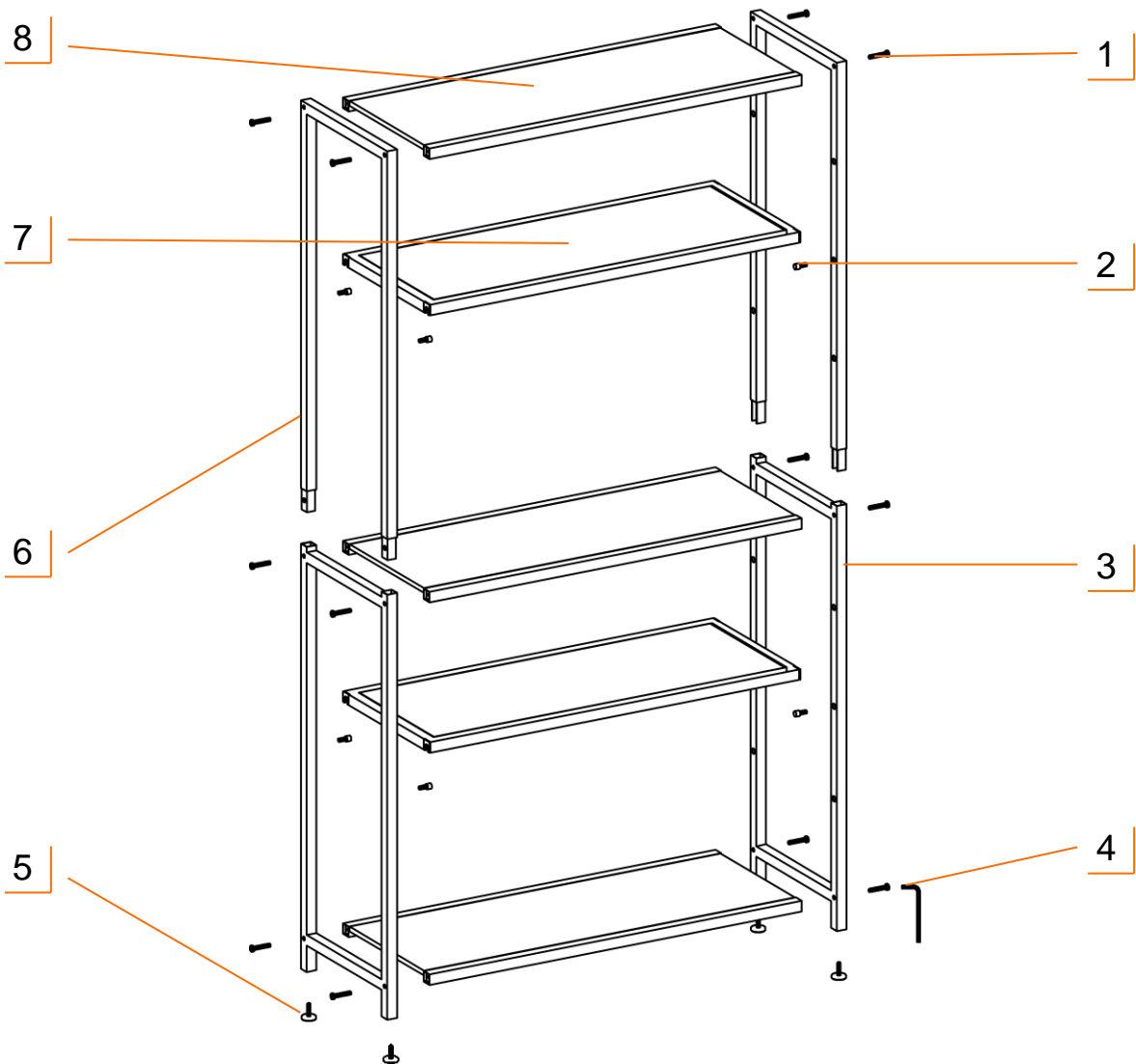
Extra ADJUSTABLE SHELF PACK (PRA-03-067-3012) is available for purchase. Please visit our website [www.trinityii.com](http://www.trinityii.com) or contact our Customer Service (see last page of the manual) to place your order.



# SERVICE PARTS LIST – TBFPRA-3611

TRINITY Customer Service provides the following replacement parts:

| Part Number        | Description           | Part Number        | Description      |
|--------------------|-----------------------|--------------------|------------------|
| 1) ZBK-01-002-0635 | Screw                 | 5) XBK-98-006-2525 | Feet leveler     |
| 2) ZBK-01-031-0620 | Adjustable Shelf Rest | 6) PRA-14-024-1229 | Top Side Frame   |
| 3) PRA-14-025-1231 | Bottom Side Frame     | 7) PRA-03-046-3012 | Adjustable Shelf |
| 4) XXX-97-001-0001 | Hex Key               | 8) PRA-03-045-3012 | Fixed Shelf      |



---

## WARNINGS

1. **Read and understand all instructions.** Failure to follow all instructions may result in injury and/or damage.
2. **The warnings, cautions, and instructions discussed in this manual cannot cover all possible conditions or situations that may occur.** The user must always be aware of their environment and ensure that they use the product in a safe and responsible manner.
3. **Do NOT modify the product in any way.** Unauthorized modification may impair the function and/or safety of the product, and may affect the life of the product.
4. **Check for damaged parts.** Before using this product, carefully check that all parts are in good condition, and that the product will operate properly and perform its intended function. Check for damaged parts and any other conditions that may affect the operation of this product. Replace damaged or worn parts, and never use this product with a damaged part.
5. **Do NOT overload the product.**

|  |       |
|--|-------|
| Weight capacity per shelf (evenly distributed) | 75 lb |
|--|-------|

6. **Do NOT allow children to climb or play around the product.**

---

## CARE AND MAINTENANCE

- Bamboo can be maintained with mineral oil for best results.
- Avoid harsh, abrasive cleaners, and other corrosive chemicals.
- The product is designed for indoor use. Wipe dry and keep out of direct sunlight.







# 1 YEAR LIMITED WARRANTY

## TRINITY 5-Tier 32" x 12" x 60" Bamboo Shelving Model # TBFPA-3611

Trinity International Industries ("Trinity") warrants to the original consumer purchaser ("Purchaser") of the TRINITY 5-Tier 32" x 12" x 60" Bamboo Shelving ("Product") that each Product shall be free from defects in workmanship and materials for a period of 1 year from the date of original purchase. Trinity's obligation under this warranty shall be limited to repair or replacement of, or adequate compensation for the Product which shall not be greater than the amount of the purchase price of the Product, at the option of Trinity, during the warranty period. All replaced parts and Products become the property of Trinity and must be returned to Trinity.

This warranty excludes normal wear and tear of the Product and its parts or components, and damage arising from any of the following: negligent use or misuse of the Product, use contrary to this User's Manual, or alteration by anyone other than Trinity. The warranty period of 1 year shall not be extended or renewed by the repair or replacement of, or compensation for, the Product. Any warranty implied by applicable law is limited in duration to one year from the date of purchase and is subject to the same conditions and limitations as is provided for our express warranty.

Except as set forth herein, and to the extent of applicable there are no warranties on this Product either express or implied, and Trinity disclaims all warranties including, but not limited to, any implied warranties of merchantability, infringement or fitness for a particular purpose. No warranty or guarantee given by any person, firm, or corporation with respect to this product shall be binding on Trinity.

If your Product is defective or otherwise requires service or parts, please call TRINITY Customer Service toll-free at (800) 985-5506, between 5:00 a.m. and 5:00 p.m., PST. Please tell us which model you purchased, the date of the purchase, and the problem with your Product. A copy of your original purchase receipt must accompany your service request.

### LIMITATION OF REMEDIES AND LIABILITY

Trinity (and its employees, officers, members, managers, affiliates and assigns) shall not be liable for any incidental, consequential, special, indirect, remote, special or punitive damages for breach of any warranty, express or implied, including, but not limited to, lost profits, lost savings, loss of anticipated benefits and attorneys' fees, which arise out of the purchase, use or inability to use the Product, whether arising out of contract, negligence, strict tort, product liability, or any other legal theory on which a claim is based. As noted above, to the extent damages are allowed by our express warranty or by applicable law, those damages may not exceed the purchase price paid for the Product. Without limiting the foregoing Purchaser assumes all risk and liability for loss, damage or injury to Purchaser and Purchaser's property and to others and their property arising out of the use, misuse, or inability to use this Product. This limited warranty shall not extend to anyone other than the original purchaser of this product, is nontransferable and states your exclusive remedy.

Some states do not allow the exclusion or limitation of incidental, consequential, special, or punitive damages, so the above limitation or exclusion may not apply to you. The above warranty gives you specific legal rights, and you may have other rights which vary from state to state.

---

## CONTACT US

**QUESTIONS? NEED PARTS?  
WE ARE HERE TO HELP!**

**Please feel free to contact us. There are no questions too small, or any problems too big. We're committed to providing our customers with the highest level of service.**

### **TRINITY Customer Service**

**TEL: 800.985.5506**

**FAX: 310.347.4134**

**EMAIL: [customerservice@trinityii.com](mailto:customerservice@trinityii.com)**

**Monday through Friday  
5:00 AM – 5:00 PM (PST)**

**[www.trinityii.com](http://www.trinityii.com)**