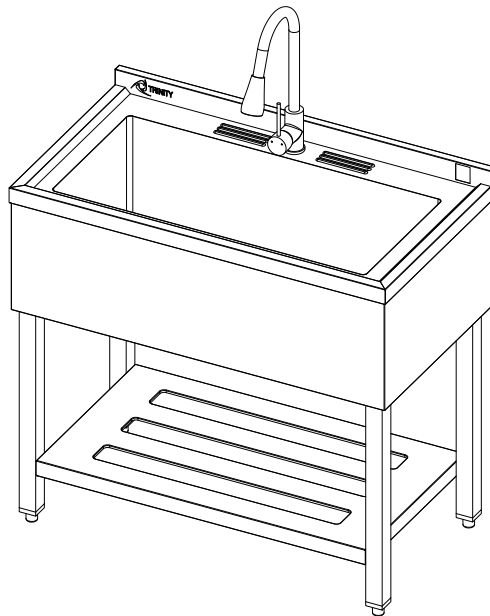




OWNER'S MANUAL



STAINLESS STEEL UTILITY SINK W/ PULL-OUT FAUCET

Model # CTHA-0323 / THA-0323 / THAPBK-0323

Important / Important / Importante

FOR 3D ASSEMBLY INSTRUCTIONS

POUR DES DIRECTIVES D'ASSEMBLAGE 3D

PARA INSTRUCCIONES DE ENSAMBLAJE EN 3D



BILT.[®]

Intelligent Instructions
Directives intelligentes
Instrucciones Inteligentes



DOWNLOAD THE FREE APP | TÉLÉCHARGER L'APPLICATION GRATUITE | DESCARGUE LA APLICACIÓN GRATUITA

WARNINGS

- 1. Read and understand all instructions.** Failure to follow all instructions may result in injury and/or damage.
- 2. The warnings, cautions, and instructions discussed in this manual cannot cover all possible conditions or situations that may occur.** The user must always be aware of their environment and ensure that they use the product in a safe and responsible manner.
- 3. Do NOT modify the product in any way.** Unauthorized modification may impair the function and/or safety of the product, and may affect the life of the product. Any modifications will void product warranty.
- 4. Check for damaged parts.** Before using this product, carefully check that all parts are in good condition, and that the product will operate properly and perform its intended function. Check for damaged parts and any other conditions that may affect the operation of this product. Replace damaged or worn parts, and never use this product with a damaged part.
- 5. Do NOT overload the product.**

weight capacity per shelf	68 kg / 150 lb
Total weight capacity (evenly distributed)	136 kg / 300 lb

- 6. Ensure backflow prevention compliance.** Equipment is to be installed with adequate backflow prevention to comply with applicable federal, state and local codes.
- 7. Do NOT let children climb on or in Utility Sink.**
- 8. Ensure to install the wall bracket.** Failure to do so may result in tipping.
- 9. Do NOT mount the sink to a wall without legs.** The wall bracket is to prevent tipping, NOT for mounting the sink to a wall.
- 10. Ensure plumbing connections are tightened fully.** Failure to tighten may result in leakage.
- 11. Strongly recommended for professional installers to perform installation.** Observe local plumbing and building codes.

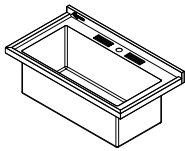
CARE AND MAINTENANCE

- Avoid harsh, abrasive cleaners, and other corrosive chemicals. Do not leave salt in sink or near saltwater environment.
- Rinse surface thoroughly with hot water after using soaps and detergents containing chlorides to prevent corrosion.
- Do not use scouring pad, carbon steel brushes, or steel wool for cleaning. Iron particles left behind can lead to rust.
- Avoid the use of oily rags or greasy cloths when wiping the surface. Wipe dry after use so that water does not leave water spots.
- Use a quality stainless steel cleaner and follow instructions that come with the cleaner. Wipe ALONG the grain (NOT against).
- This product is designed for indoor use.

PARTS LIST

Parts included

A



1

B



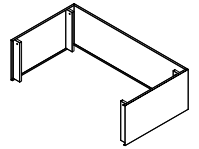
2

C



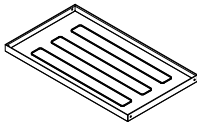
2

D



1

E



1

F



24

G



1

H



1

I



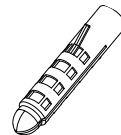
1

J



2

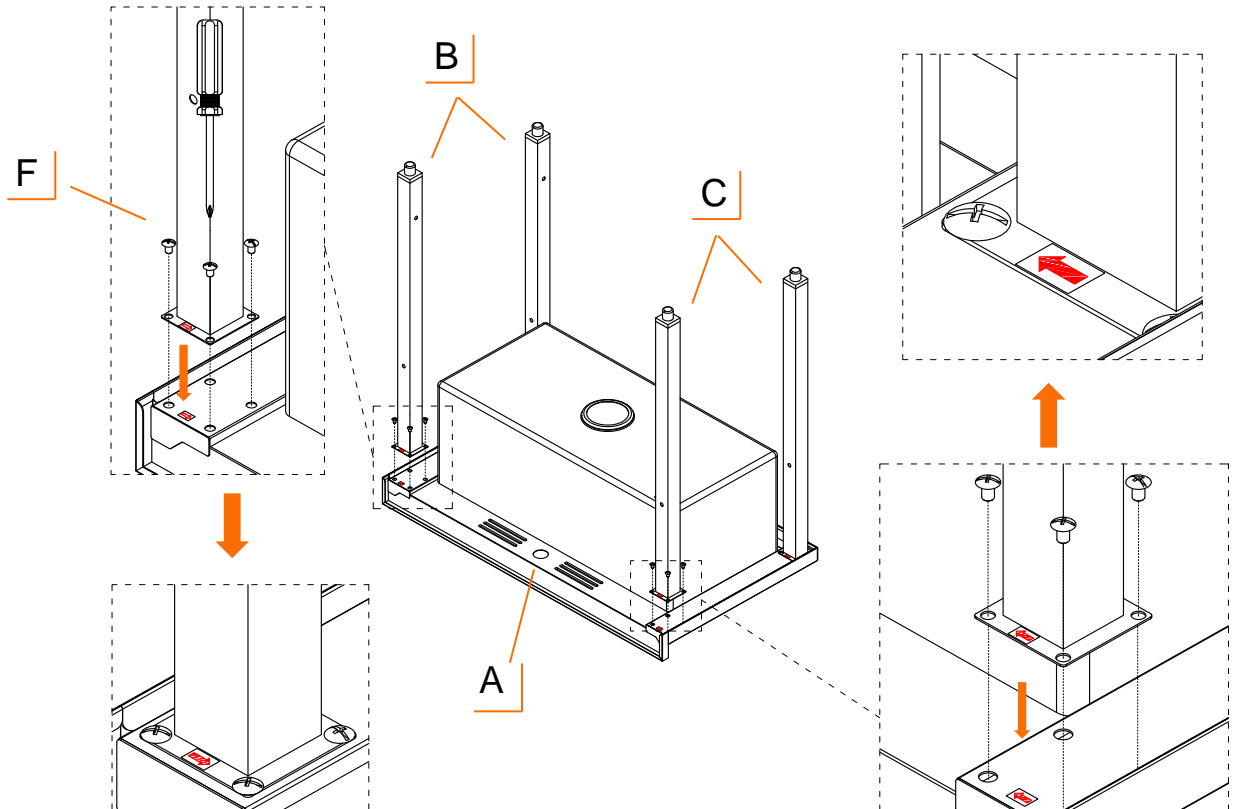
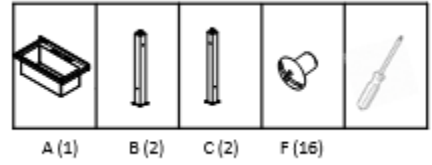
k



2

ASSEMBLY INSTRUCTIONS

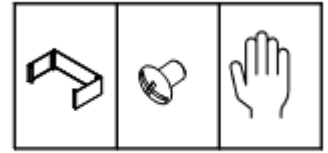
STEP 1



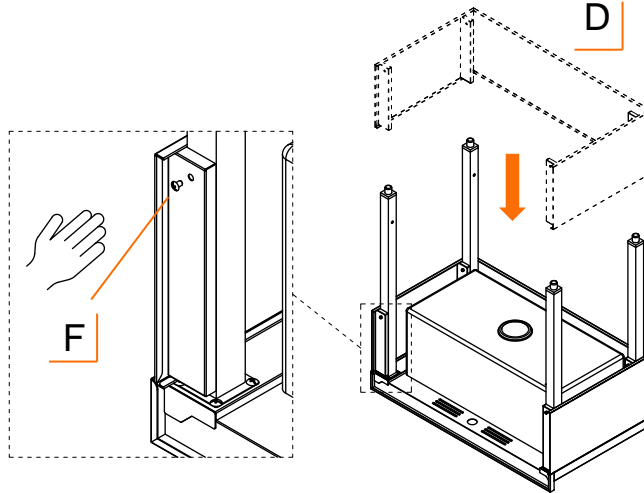
Ensure arrow on each leg is in same direction and overlaps with arrow on sink.

ASSEMBLY INSTRUCTIONS

STEP 2



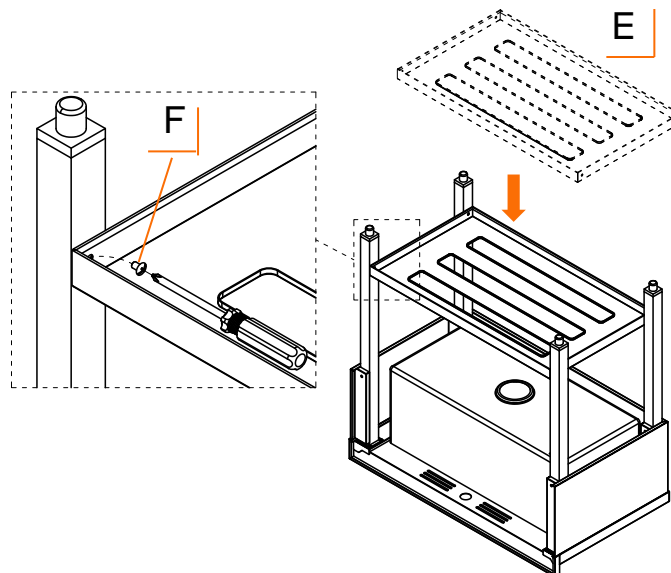
D (1) F (4)



STEP 3

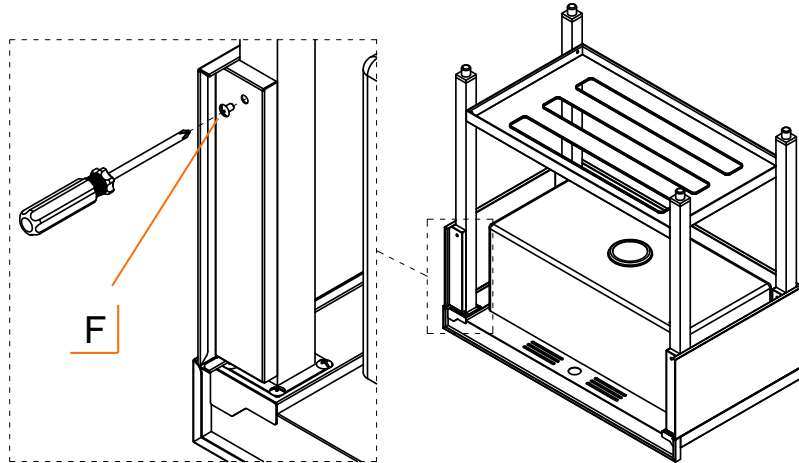


E (1) F (4)

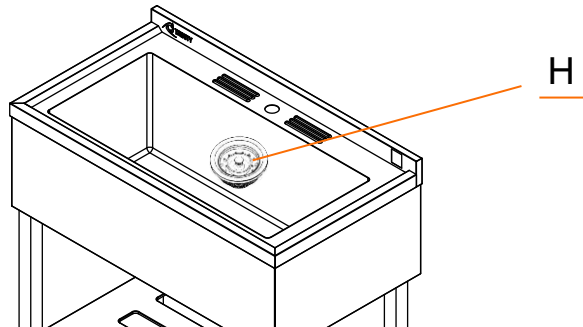


ASSEMBLY INSTRUCTIONS

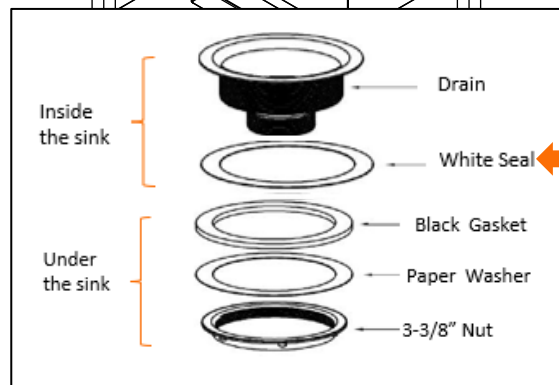
STEP 4



STEP 5



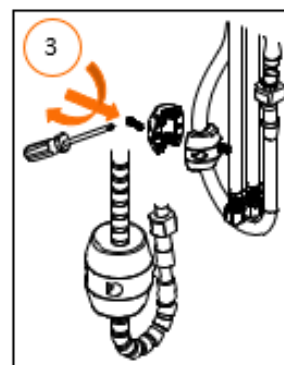
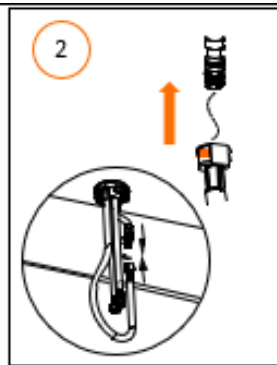
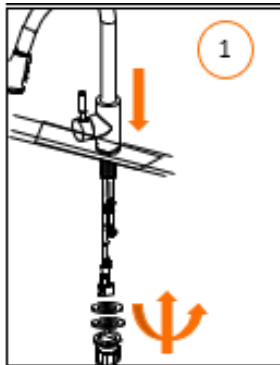
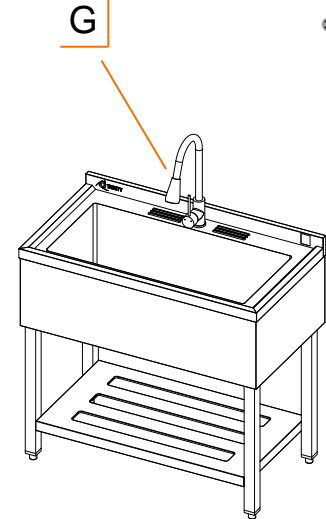
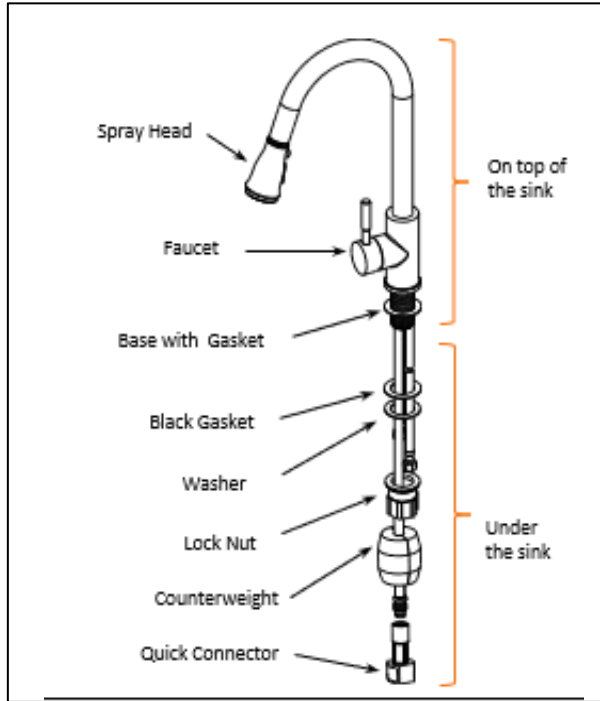
H (1)



Optional replacement
with plumber's putty
(not included)

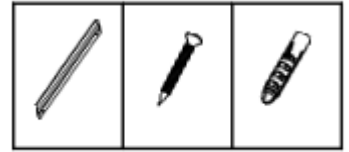
ASSEMBLY INSTRUCTIONS

STEP 6



ASSEMBLY INSTRUCTIONS

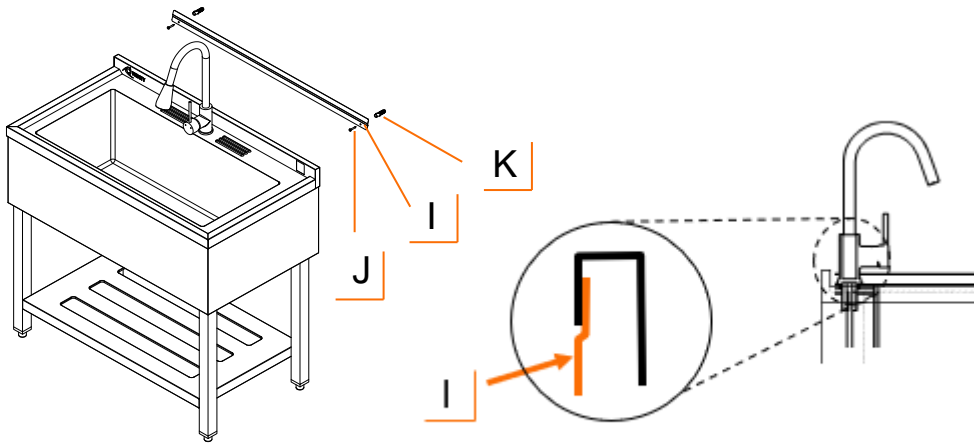
STEP 7



I (1)

J (2)

K (2)

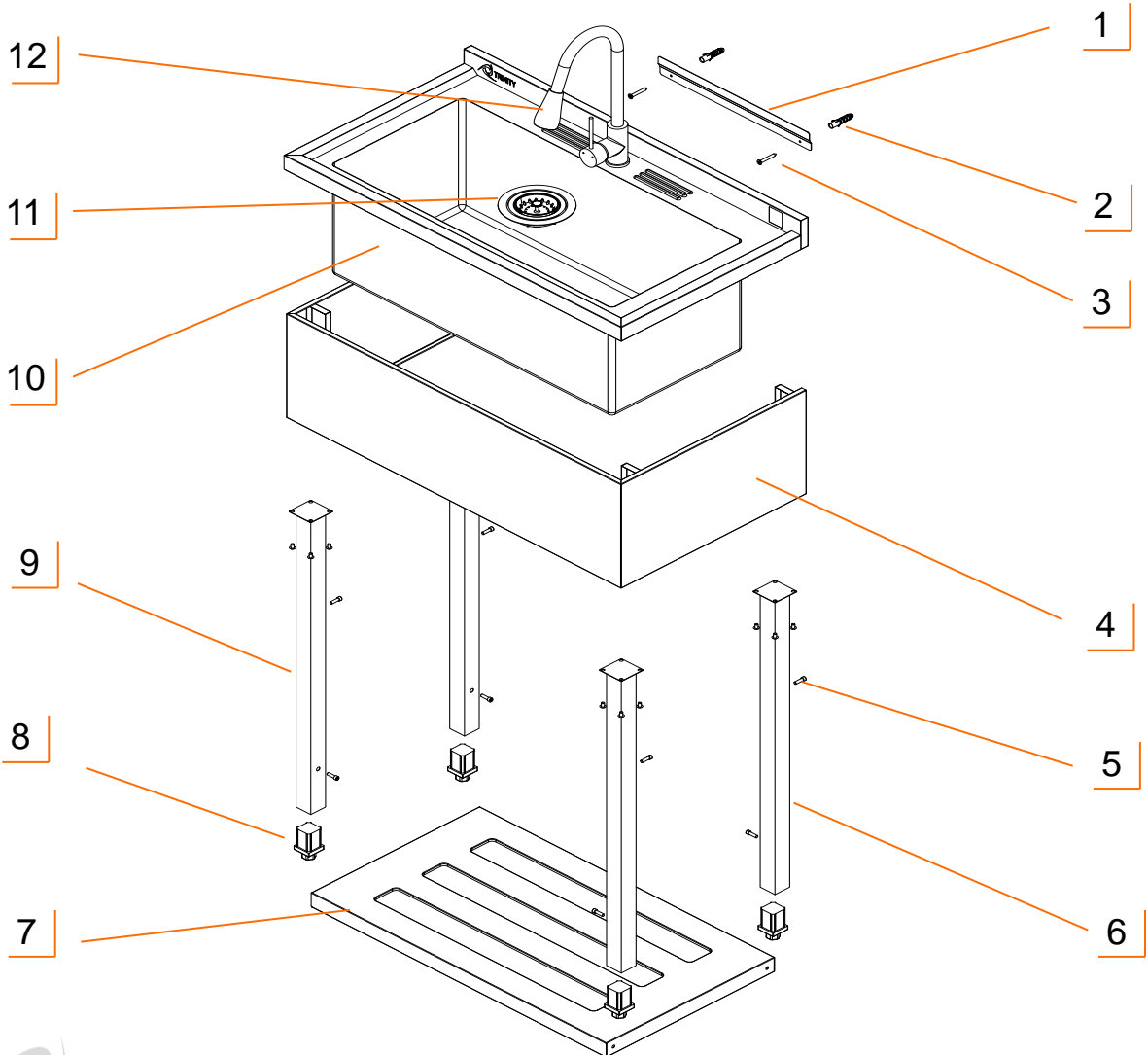


STEP 8

Connect faucet water supply hoses to building water supply and connect drain to building drain system. (P-Trap not included)

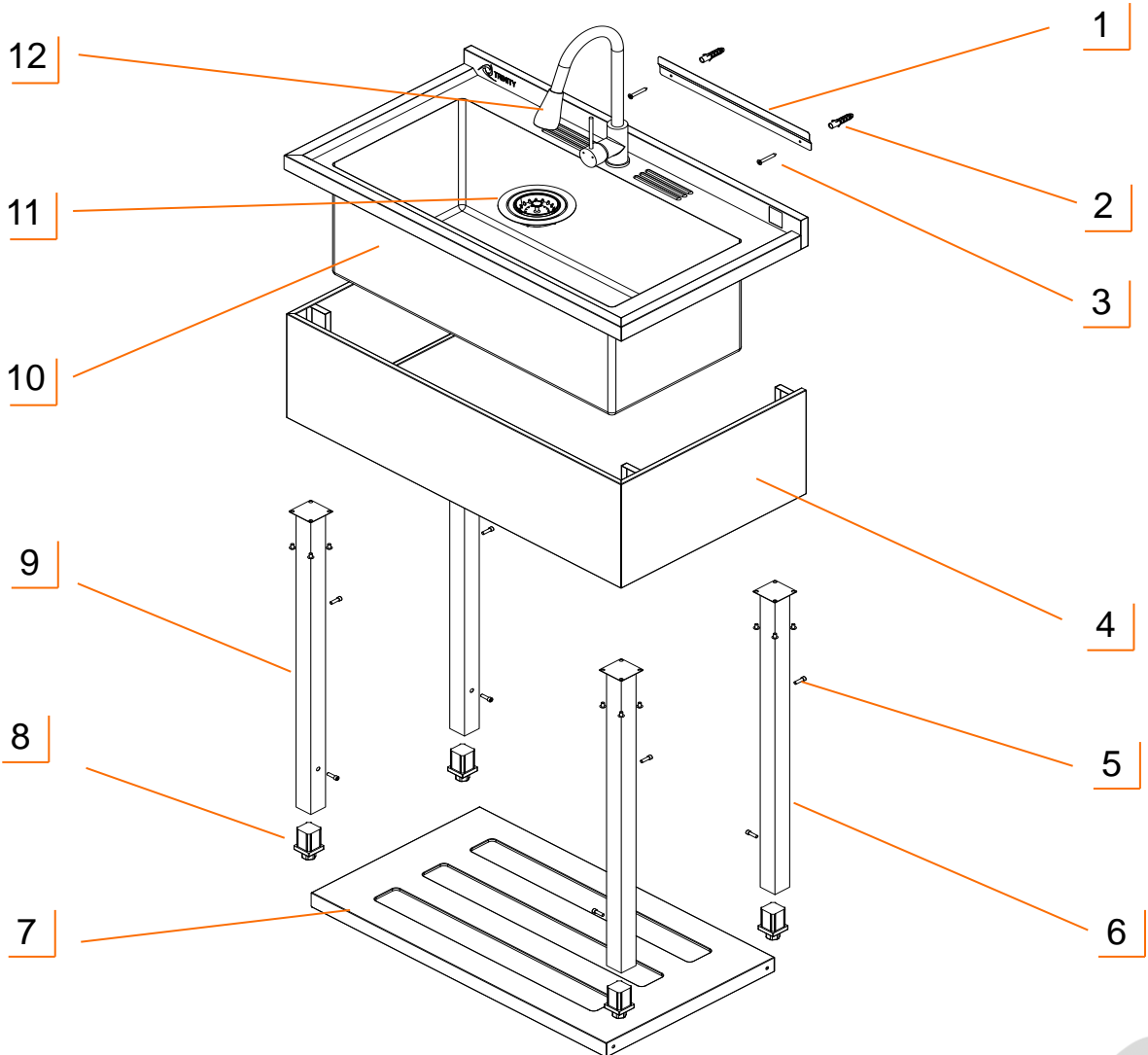
SERVICE PARTS LIST – CTHA-0323/THA-0323

Part Number		Part Number	
1)	XBS-19-007-1600	7)	XBS-03-106-3118
2)	XGR-01-032-0440	8)	XBK-98-018-4080
3)	XSV-01-033-0440	9)	XBS-04-062-3200
4)	XBS-18-033-3620	10)	XBS-18-032-3014
5)	ZSV-01-004-0610	11)	XGL-02-003-0002
6)	XBS-04-063-3200	12)	XBS-02-009-0008



SERVICE PARTS LIST – THAPBK-0323

Part Number		Part Number	
1)	XBS-19-007-1600	7)	PBK-03-106-3118
2)	XGR-01-032-0440	8)	XBK-98-018-4080
3)	XSV-01-033-0440	9)	PBK-04-062-3200
4)	PBK-18-033-3620	10)	XBS-18-032-3014
5)	ZSV-01-004-0610	11)	XGL-02-003-0002
6)	PBK-04-063-3200	12)	XBS-02-009-0008



CONTACT US

**QUESTIONS? NEED PARTS?
WE ARE HERE TO HELP!**

Please feel free to contact us. There are no questions too small, or any problems too big. We're committed to providing our customers with the highest level of service.

TRINITY Customer Service

TEL: 800.985.5506

FAX: 310.347.4134

EMAIL: customerservice@trinityii.com

**Monday through Friday
5:00 AM – 5:00 PM (PST)**

www.trinityii.com