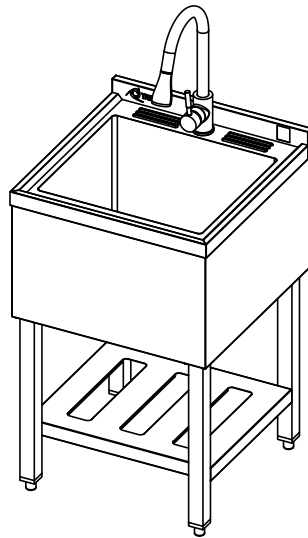




OWNER'S MANUAL



STAINLESS STEEL UTILITY SINK W/ PULL-OUT FAUCET

Model # THA-0327 / THAPBK-0327 / THAPWH-0327

Important / Important / Importante

FOR 3D ASSEMBLY INSTRUCTIONS

POUR DES DIRECTIVES D'ASSEMBLAGE 3D

PARA INSTRUCCIONES DE ENSAMBLAJE EN 3D



BILT.[®]

Intelligent Instructions
Directives intelligentes
Instrucciones Inteligentes



WARNINGS

- 1. Read and understand all instructions.** Failure to follow all instructions may result in injury and/or damage.
- 2. The warnings, cautions, and instructions discussed in this manual cannot cover all possible conditions or situations that may occur.** The user must always be aware of their environment and ensure that they use the product in a safe and responsible manner.
- 3. Do NOT modify the product in any way.** Unauthorized modification may impair the function and/or safety of the product, and may affect the life of the product. Any modifications will void product warranty.
- 4. Check for damaged parts.** Before using this product, carefully check that all parts are in good condition, and that the product will operate properly and perform its intended function. Check for damaged parts and any other conditions that may affect the operation of this product. Replace damaged or worn parts, and never use this product with a damaged part.
- 5. Do NOT overload the product.**

Volume capacity of sink basin	61.1 L / 16.2 gal
Weight capacity per shelf (evenly distributed)	23 kg / 50 lb

- 6. Ensure backflow prevention compliance.** Equipment is to be installed with adequate backflow prevention to comply with applicable federal, state and local codes.
- 7. Do NOT let children climb on or in Utility Sink.**
- 8. Ensure to install the wall bracket.** Failure to do so may result in tipping.
- 9. Do NOT mount the sink to a wall without legs.** The wall bracket is to prevent tipping, NOT for mounting the sink to a wall.
- 10. Ensure plumbing connections are tightened fully.** Failure to tighten may result in leakage.
- 11. Strongly recommended for professional installers to perform installation.** Observe local plumbing and building codes.

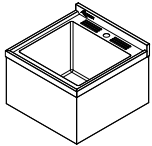
CARE AND MAINTENANCE

- Avoid harsh, abrasive cleaners, and other corrosive chemicals. Do NOT leave salt in sink or near saltwater environment.
- Rinse surface thoroughly with hot water after using soaps and detergents containing chlorides to prevent corrosion.
- Do NOT use scouring pad, carbon steel brushes, or steel wool for cleaning. Iron particles left behind can lead to rust.
- Avoid the use of oily rags or greasy cloths when wiping the surface. Wipe dry after use so that water does not leave water spots.
- Use a quality stainless steel cleaner and follow instructions that come with the cleaner. Wipe ALONG the grain (NOT against).
- This product is designed for indoor use.
- Cleaning accessories NOT included.

PARTS LIST

Parts included

A



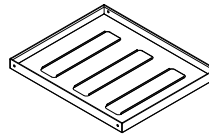
SINK (1)
W/ SKIRT

B



LEG (4)
W/ FEET LEVELER

C



SHELF (1)

D



SCREW (20) + (2) extra

E



DRAIN ASSEMBLY (1)

F



FAUCET ASSEMBLY (1)
W/ HOSES

G



BRACKET (1)

H



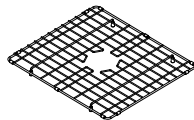
MOUNTING SCREW (2)

I



ANCHOR (2)

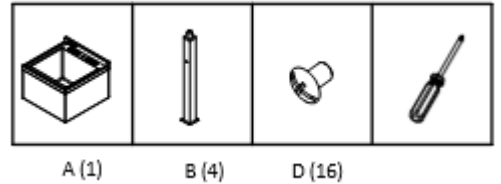
J



SINK GRID (1)

ASSEMBLY INSTRUCTIONS

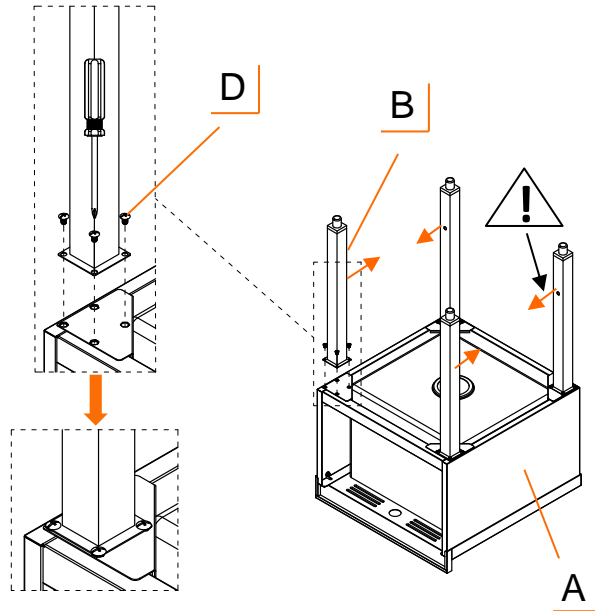
STEP 1



Carefully lay SINK (A) upside-down on a smooth flat surface. Two people are needed. Do NOT attempt this alone.

Note: Screwdriver not included

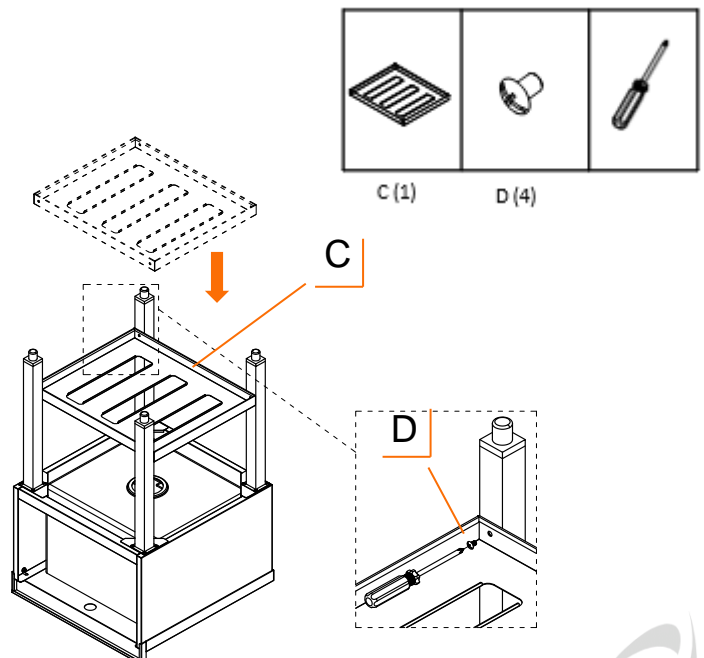
Attach LEGS (B) to four corners of sink bottom with SCREWS (D). Make sure hole on each leg for mounting shelf is facing inward as shown with arrow. Align holes on end plate of leg to holes on sink bottom corner. Insert SCREW (D) into each aligned hole and loosely tighten with Phillips screwdriver.



STEP 2

Slide SHELF (C) between four LEGS (B) as shown. Make sure SHELF (C) back side is facing up. Align hole on each corner of SHELF (C) to hole on leg. Insert SCREW (D) into aligned hole and tighten fully with Phillips screwdriver.

Fully tighten all screws in step 1 with Phillips screwdriver.



ASSEMBLY INSTRUCTIONS

STEP 3



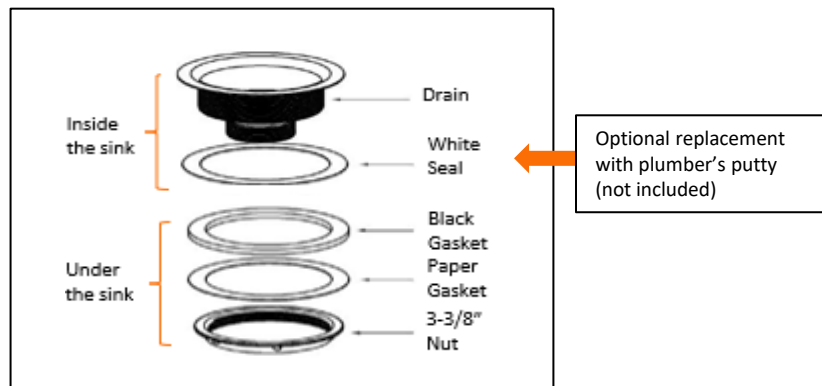
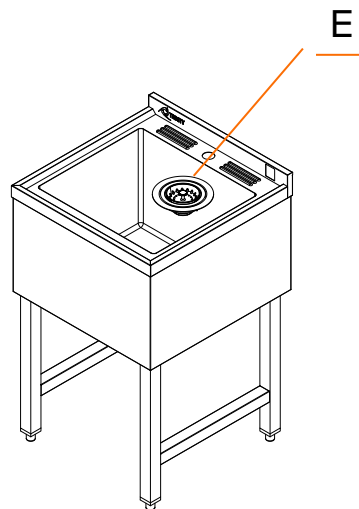
E (1)

Carefully turn sink right-side up, standing it upright.

Unscrew large 3-3/8" Nut from bottom of DRAIN ASSEMBLY (E). From inside SINK (A), insert Drain through White Seal and opening at bottom.

From under SINK (A), first slide on Black Gasket and Paper Gasket then screw large 3-3/8" Nut back on tightly. If necessary, use a pipe wrench to tighten.

Note: P-trap NOT included.



Drain Assembly (E)

ASSEMBLY INSTRUCTIONS

STEP 4

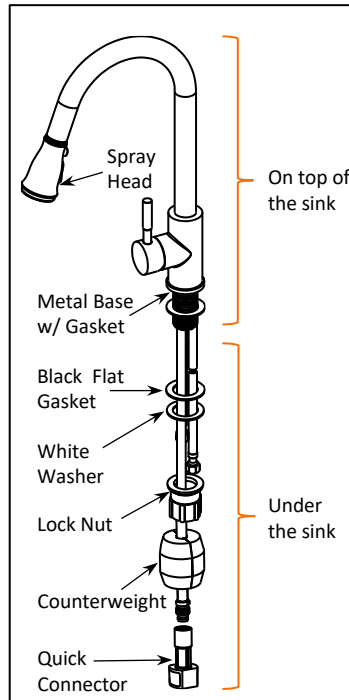
Unscrew Lock Nut from bottom of FAUCET ASSEMBLY (F) and remove Lock Nut, White Washer and Black Flat Gasket.

From top side, make sure Metal Base w/ Gasket is on top of SINK (A) and all 4 hoses are straight and untangled. Insert FAUCET ASSEMBLY (F) through hole, first with Quick Connector hose, then hot and cold water supply hoses with metal fittings, finally the short hose with plastic cap.

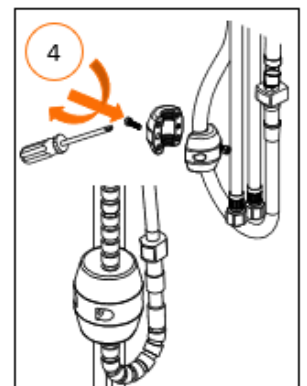
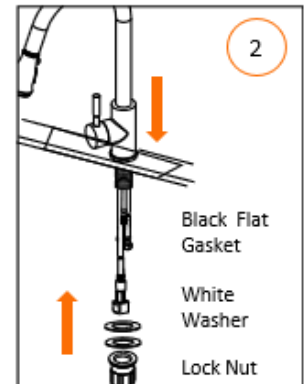
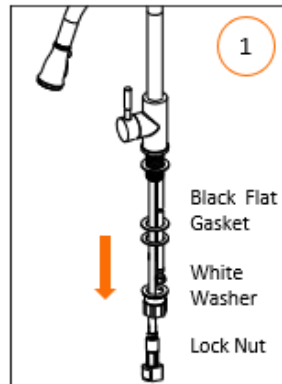
Once all hoses are carefully threaded through hole and FAUCET ASSEMBLY (F) is sitting flush on top of SINK (A), align faucet handle facing towards front of SINK (A). From under SINK (A), first slide on Black Flat Gasket, then White Washer, then screw on Lock Nut. Tighten Lock Nut as much as you can by hand. If necessary, use a pipe wrench to tighten.

Remove and discard the Plastic Cap from short hose and push Quick Connector to connect two ends of hoses. You should hear a soft click to indicate secure connection and orange release button should return to flush with housing. You may also give two ends of hose a soft tug to ensure they are connected securely.

Locate Counterweight in the box, use a Phillips screwdriver to separate two halves of Counterweight by unscrewing screws securing them. Make sure Spray Head is pushed up against the spout and pull-out hose is dangling unhindered. Re-secure Counterweight just above turn of pull-out hose, on side opposite Quick Connector. Counterweight position can be moved up to decrease amount of Spray Head pull-out if desired.

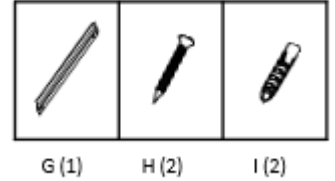


Faucet Assembly (F)



ASSEMBLY INSTRUCTIONS

STEP 5

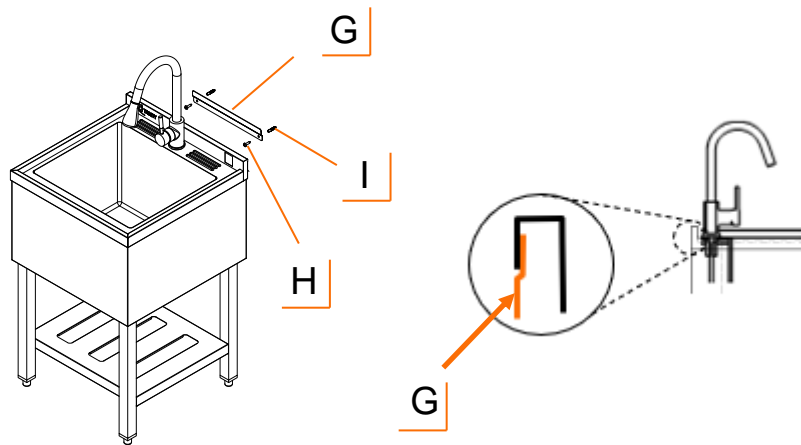


Carefully move sink against wall at your desired location. If needed, use a pencil to mark off mounting height of BRACKET (G).

Position BRACKET (G) on wall, marking off fastening location on wall through holes on BRACKET (G). Drill holes in marked locations. Insert ANCHOR (I) completely into each drilled hole. Fasten MOUNTING SCREWS (H), through holes on BRACKET (G), into anchors tightly with a screwdriver.

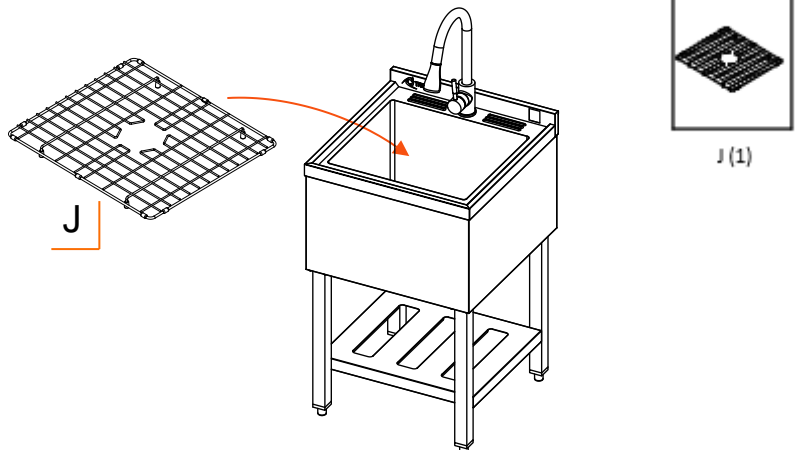
Slightly lift sink and hook flange of sink over BRACKET (G). Adjust Feet Levelers to ensure sink is stable and level. Connect drain to plumbing system.

Note: Bracket is to prevent sink tipping, NOT for mounting sink to a wall. Do NOT mount sink to a wall without legs.



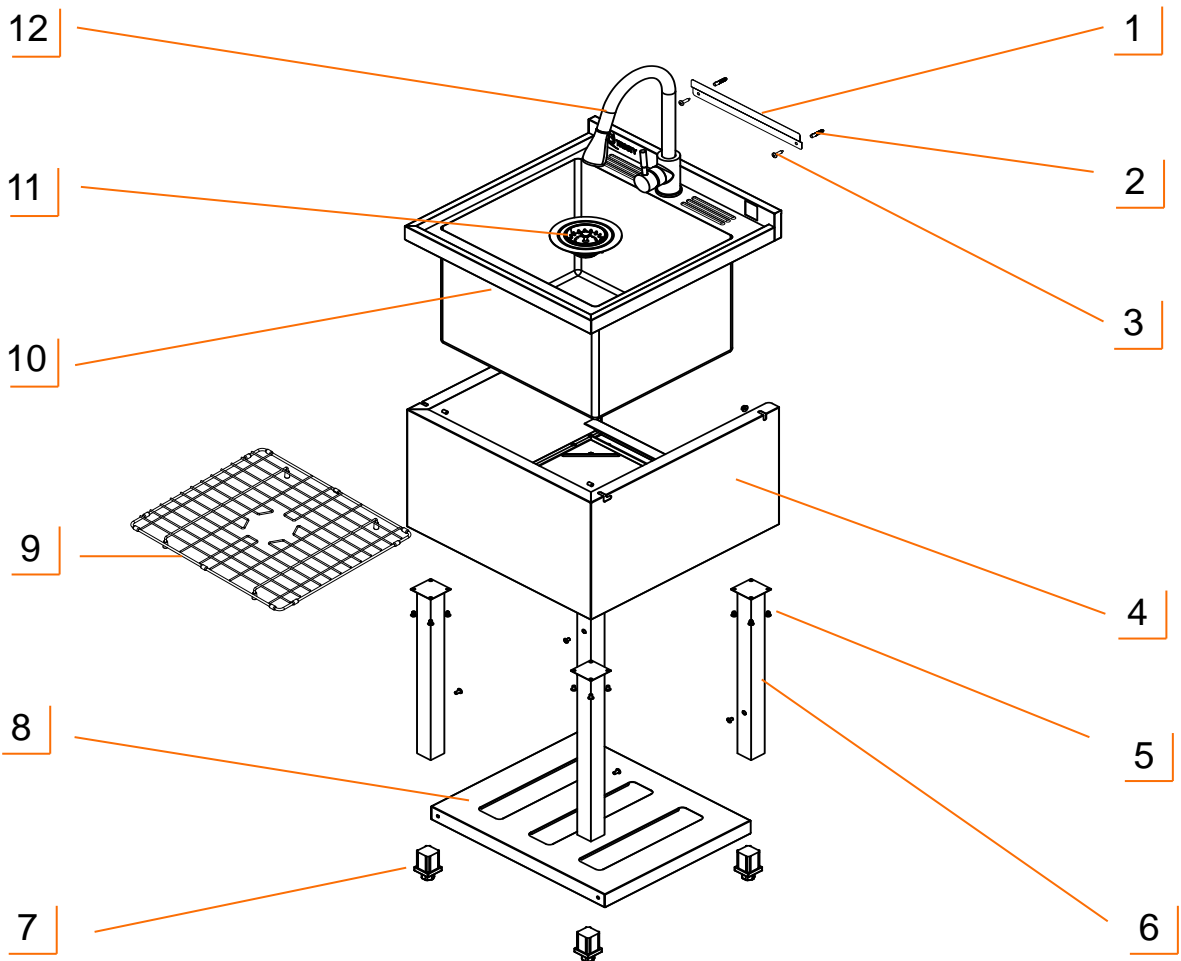
STEP 6

Place SINK GRID (J) inside SINK (A).



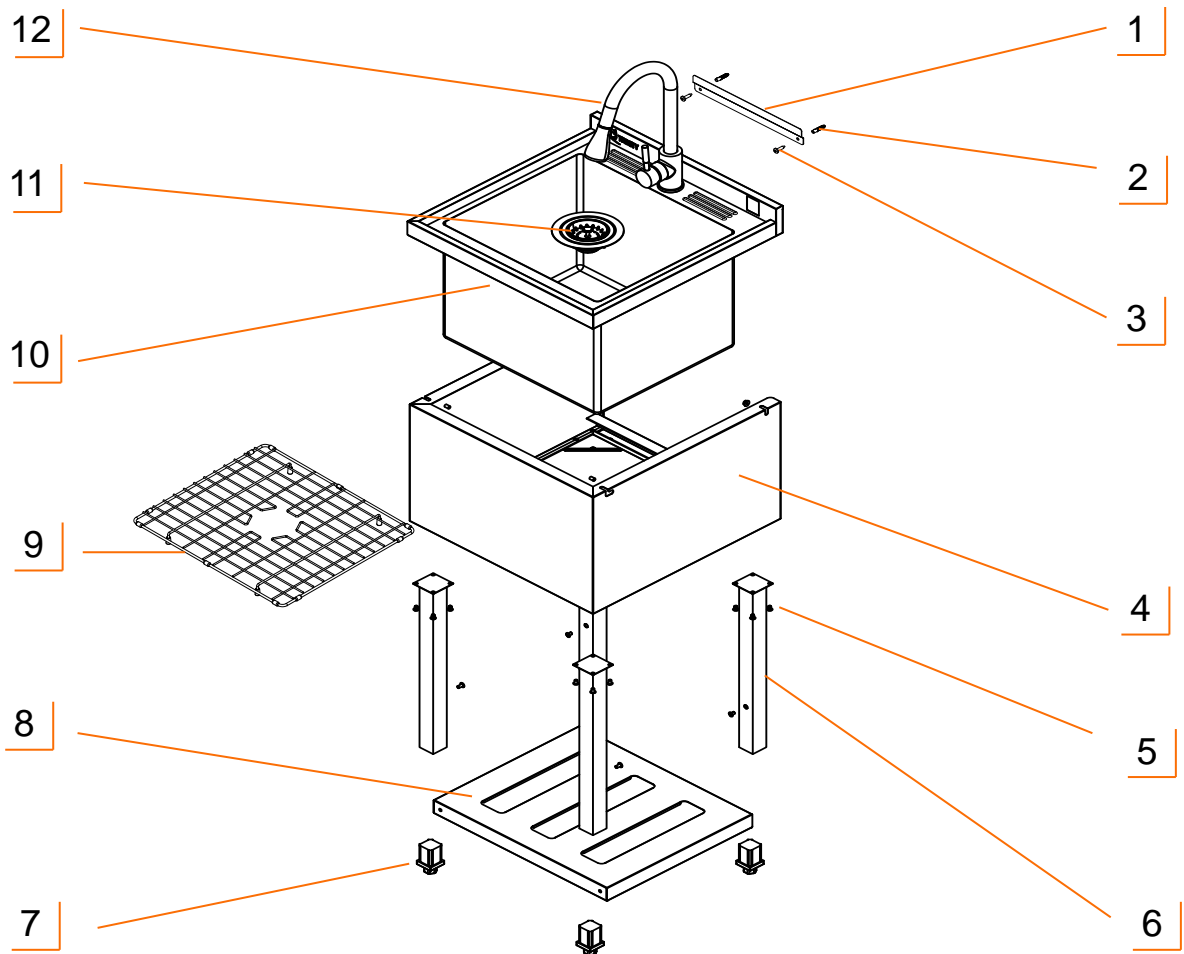
SERVICE PARTS LIST – THA-0327

Part Number		Part Number	
1)	XBS-19-007-1600	7)	XBK-98-018-4080
2)	XGR-01-032-0440	8)	XBS-03-106-1720
3)	XSV-01-033-0440	9)	XSV-02-074-0001
4)	XBS-18-035-2122	10)	XBS-18-034-1816
5)	ZSV-01-004-0610	11)	XGL-02-003-0002
6)	XBS-04-067-1830	12)	XBS-02-009-0008



SERVICE PARTS LIST – THAPBK-0327

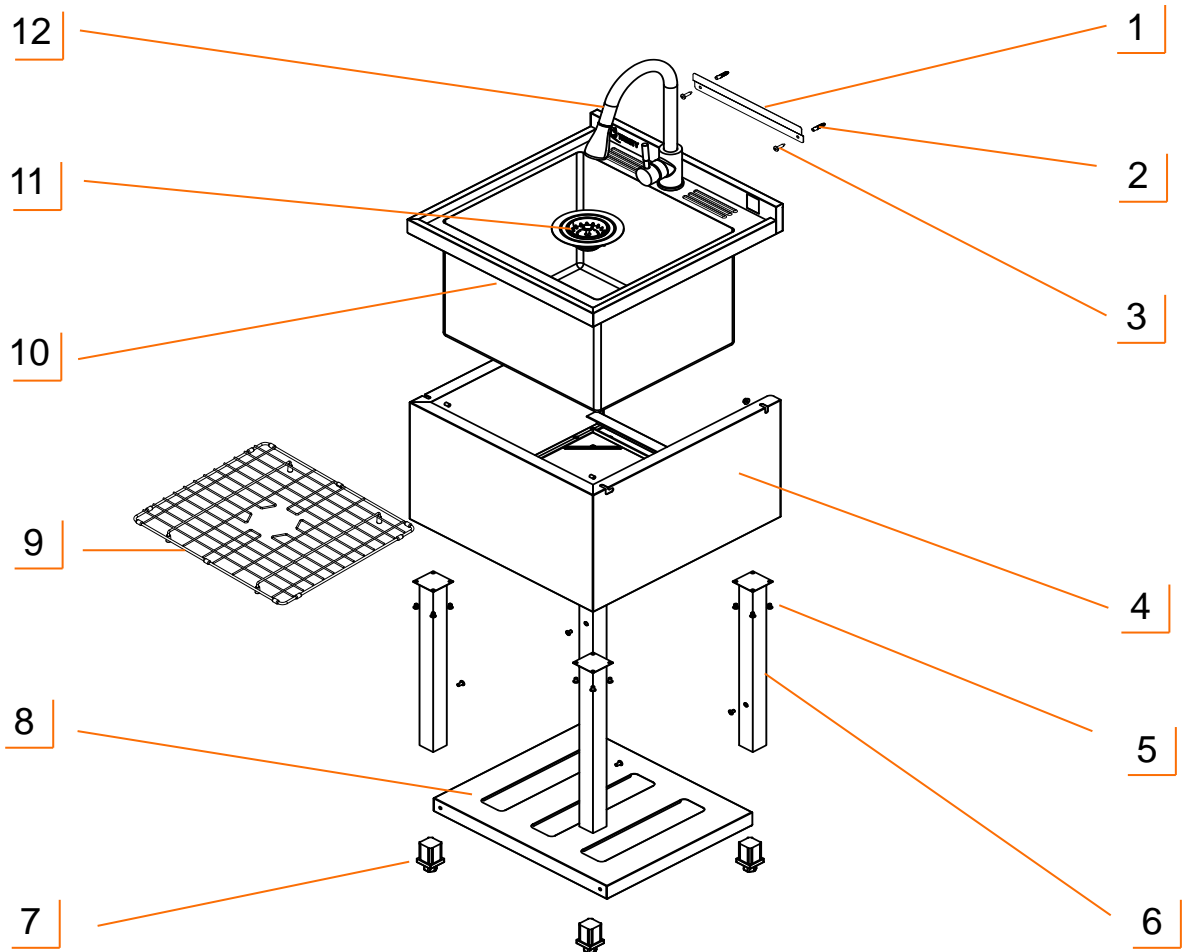
Part Number		Part Number	
1)	XBS-19-007-1600	7)	XBK-98-018-4080
2)	XGR-01-032-0440	8)	PBK-03-106-1720
3)	XSV-01-033-0440	9)	XSV-02-074-0001
4)	PBK-18-035-2122	10)	PBK-18-034-1816
5)	ZSV-01-004-0610	11)	XGL-02-003-0002
6)	PBK-04-067-1830	12)	XBS-02-009-0008



SERVICE PARTS LIST – THAPWH-0327

	Part Number
1)	XBS-19-007-1600
2)	XGR-01-032-0440
3)	XSV-01-033-0440
4)	PWH-18-035-2122
5)	ZSV-01-004-0610
6)	PWH-04-067-1830

	Part Number
7)	XBK-98-018-4080
8)	PWH-03-106-1720
9)	XSV-02-074-0001
10)	PWH-18-034-1816
11)	XGL-02-003-0002
12)	XBS-02-009-0008



CONTACT US

**QUESTIONS? NEED PARTS?
WE ARE HERE TO HELP!**

Please feel free to contact us. There are no questions too small, or any problems too big. We're committed to providing our customers with the highest level of service.

TRINITY Customer Service

TEL: 800.985.5506

FAX: 310.347.4134

EMAIL: customerservice@trinityii.com

**Monday through Friday
5:00 AM – 5:00 PM (PST)**

www.trinityii.com