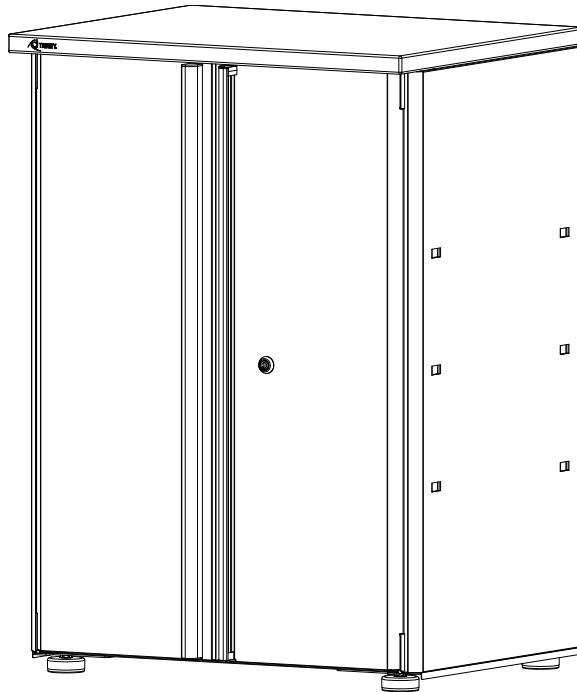




OWNER'S MANUAL



TRINITY 24" Garage Base Cabinet Model # TLSPBK-0603



Important / Important / Importante

FOR QUICK & EASY 3D ASSEMBLY INSTRUCTIONS

POUR DES DIRECTIVES D'ASSEMBLAGE 3D RAPIDES ET FACILES

PARA INSTRUCCIONES DE ENSAMBLAJE RÁPIDAS Y SENCILLAS EN 3D

BILT.[®]

Intelligent Instructions
Directives intelligentes
Instrucciones Inteligentes



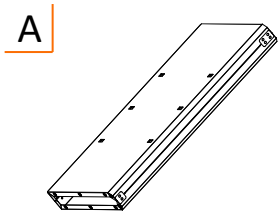
DOWNLOAD THE FREE APP | TÉLÉCHARGER L'APPLICATION GRATUITE | DESCARGUE LA APLICACIÓN GRATUITA

PARTS LIST

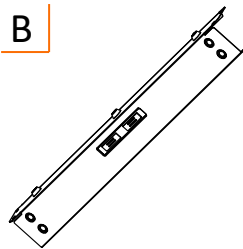
Your TRINITY 24" Garage Base Cabinet should include the following parts. Please inspect box contents to ensure you have received all components.

If you are missing any parts, need assistance with assembly or have questions, please contact TRINITY Customer Service: 800.985.5506 or customerservice@trinityii.com. Parts can also be requested online via "Contact Us" section at www.trinityii.com.

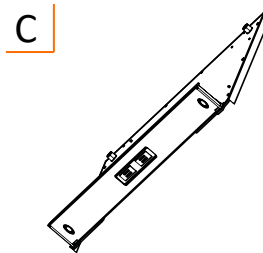
You will need a Phillips screwdriver for assembly which is not provided.



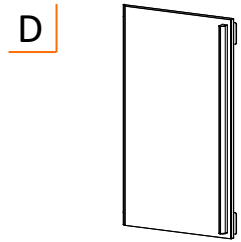
A
CABINET BODY (1)



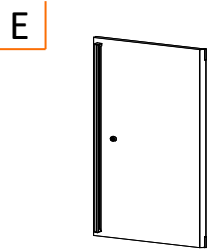
B
TOP BEAM (1)



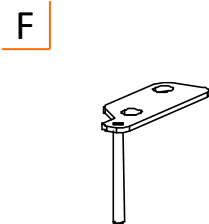
C
BOTTOM PANEL (1)



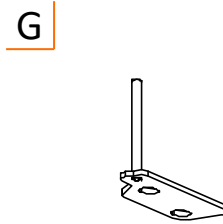
D
LEFT DOOR (1)



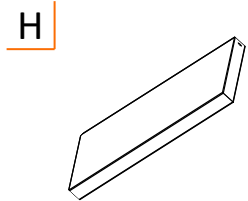
E
RIGHT DOOR (1)



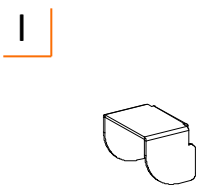
F
LEFT DOOR HINGE (1)



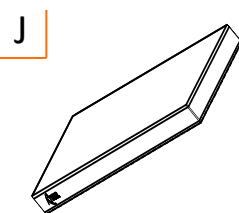
G
RIGHT DOOR HINGE (1)



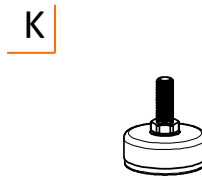
H
SHELF (1)



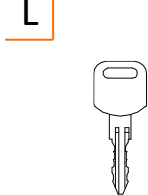
I
SHELF SUPPORT (4)



J
WOOD TOP (1)



K
FEET LEVELER (4)



L
KEY (2)



M
BLACK SCREW
(22) + (2) extra

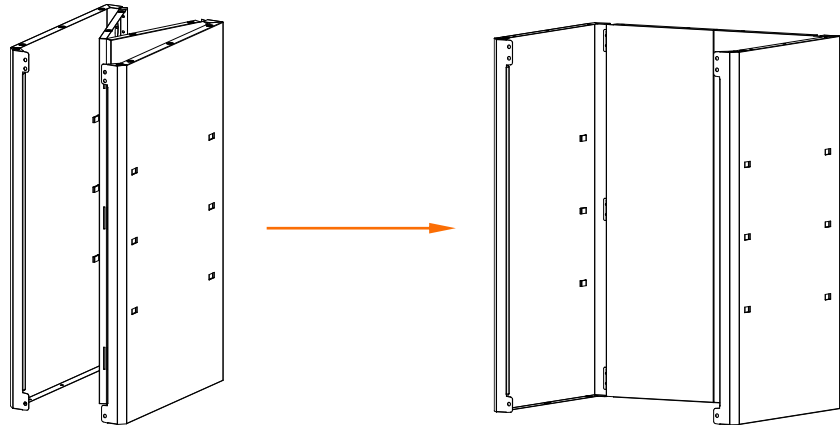


N
SILVER SCREW
(13) + (2) extra

ASSEMBLY INSTRUCTIONS

STEP 1

Unfold CABINET BODY (A).



A (1)

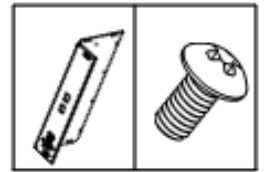
STEP 2

Two people are recommended for ease of assembly. Stand unfolded CABINET BODY (A) upside down on floor.

Note: There is a 40mm diameter hole on back panel of CABINET BODY (A). When CABINET BODY (A) is upside down, this hole should be in the upper left corner of the back panel.

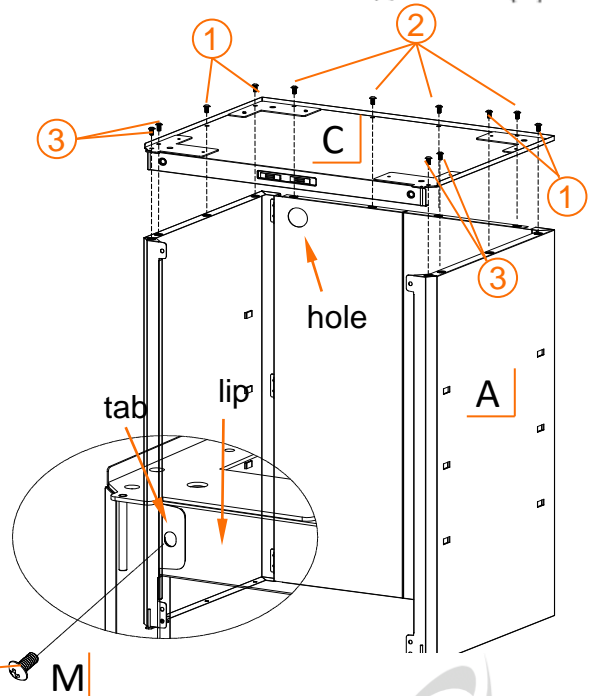
Turn BOTTOM PANEL (C) upside down. Tilt the front diagonally downward. First, insert the lip into inner side of the tab of CABINET BODY (A) at the right side, then insert into the left side.

Follow the order indicated, insert (12) BLACK SCREWS (M) through holes on BOTTOM PANEL (C) and tighten them fully with a Phillips screwdriver to CABINET BODY (A). Insert (2) BLACK SCREWS (M) through the tabs on front of CABINET BODY (A) and tighten them fully to BOTTOM PANEL (C).



C (1)

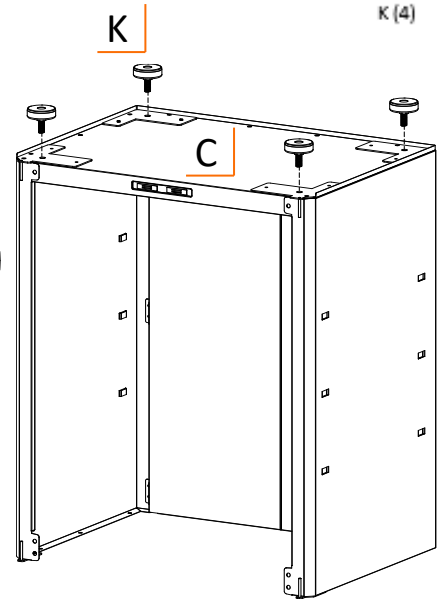
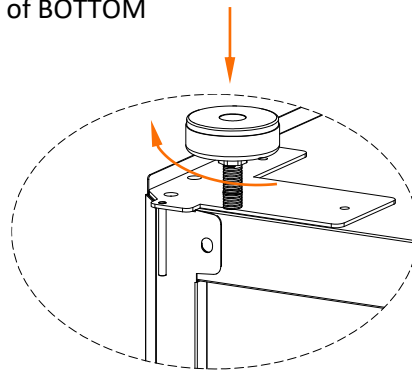
M (14)



ASSEMBLY INSTRUCTIONS

STEP 3

Screw FEET LEVELER (K) all the way in each pre-installed nut in four corners of BOTTOM PANEL(C).

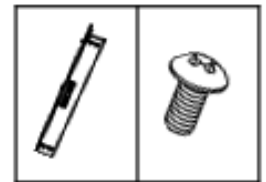
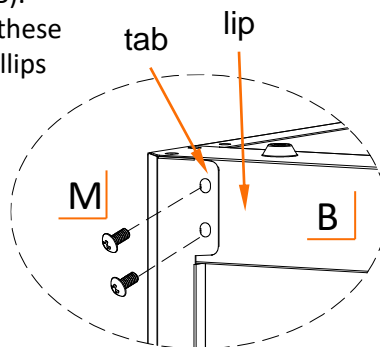


K (4)

STEP 4

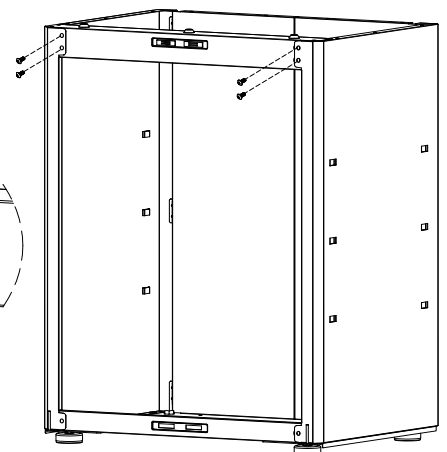
Stand the unit right side up.

Position TOP BEAM (B) on top front of cabinet. Make sure the lip of TOP BEAM (B) is inside tabs. Align holes on tabs to pre-installed nuts on lip of TOP BEAM (B). Insert BLACK SCREWS (M) through these holes. Tighten them fully with a Phillips screwdriver.



B (1)

M (4)



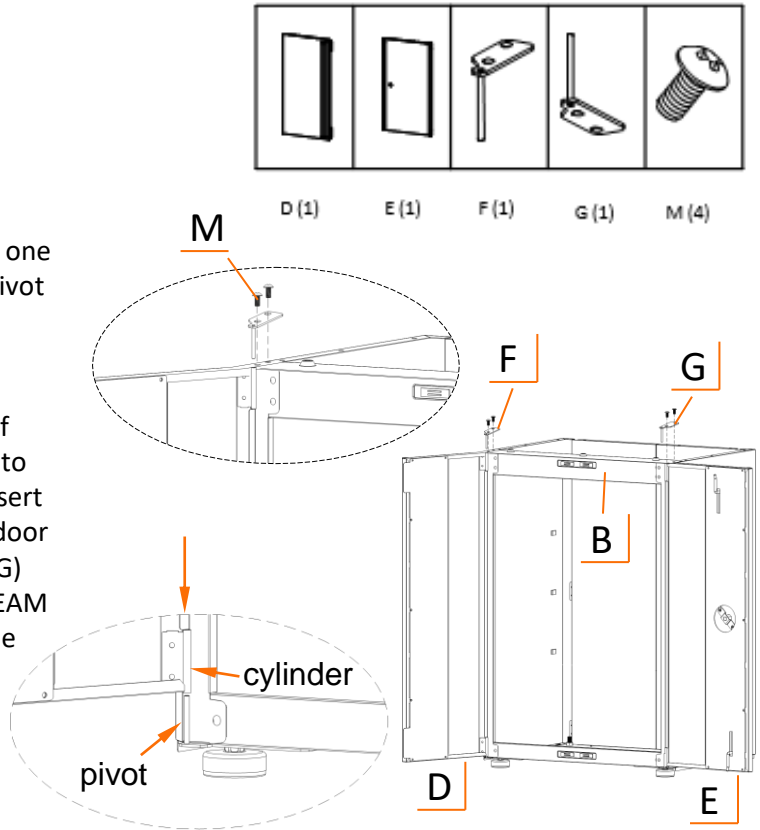
ASSEMBLY INSTRUCTIONS

STEP 5

Note: RIGHT DOOR (E) has a lock on it.

Attach LEFT DOOR (D) and RIGHT DOOR (E) one at a time to cabinet front by inserting the pivot of door hinge which is welded on BOTTOM PANEL(C) into the bottom door cylinder.

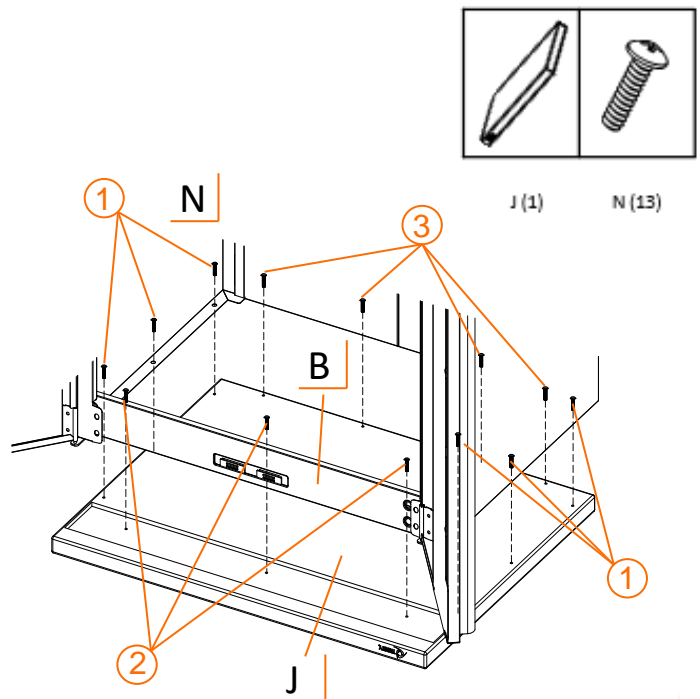
Position LEFT DOOR HINGE (F) to left side of TOP BEAM (B) and RIGHT DOOR HINGE (G) to right side of TOP BEAM (B). Make sure to insert the pivots of DOOR HINGES (F+G) into top door cylinders. Align holes on DOOR HINGES (F+G) to pre-installed nuts on two sides of TOP BEAM (B). Insert BLACK SCREWS (M) through these holes. Tighten them fully with a Phillips screwdriver.



STEP 6

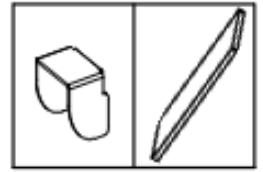
Lay WOOD TOP (J) gently on a clean surface. Make sure the side with a rectangular groove faces up.

Turn cabinet upside down and put it on WOOD TOP (J). Make sure TOP BEAM (B) sit inside the groove. Align holes on TOP BEAM (B) and top frame of cabinet to pre-installed nuts on wood top. Follow the order indicated, insert SILVER SCREWS (N) through these holes and tighten them fully with a Phillips screwdriver.



ASSEMBLY INSTRUCTIONS

STEP 7



I (4)

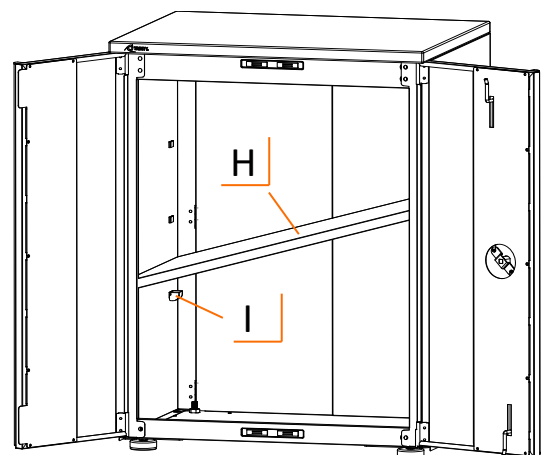
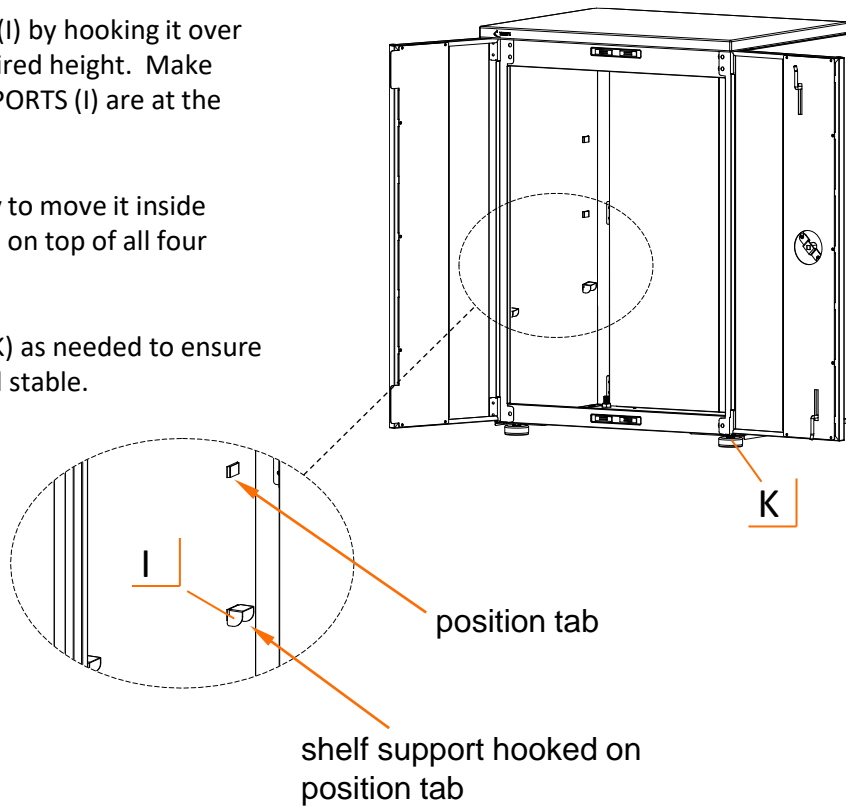
H (1)

Stand the unit right side up.

Attach SHELF SUPPORT (I) by hooking it over position tab at your desired height. Make sure all four SHELF SUPPORTS (I) are at the same level.

Tilt SHELF (H) diagonally to move it inside cabinet. Place SHELF (H) on top of all four SHELF SUPPORTS (I).

Adjust FEET LEVELERS (K) as needed to ensure your cabinet is level and stable.



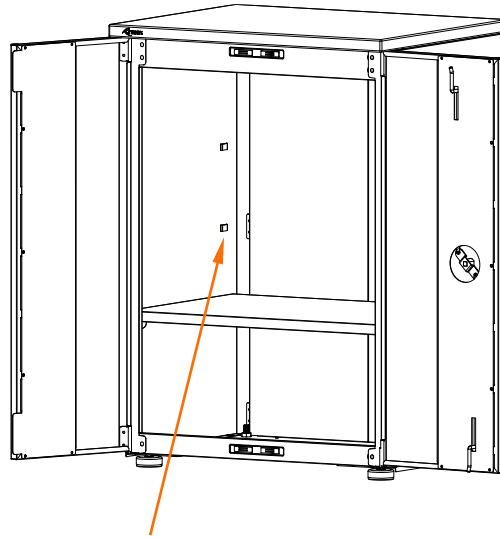
USAGE INSTRUCTIONS

SHELF ADJUSTMENT

Ensure all products have been removed from shelf.

To adjust shelf height position, take shelf out of cabinet, re-attach shelf supports to position tabs at your desired height.

Tilt shelf diagonally to move it inside cabinet. Place shelf on top of all four shelf supports.

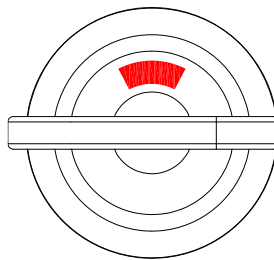


position tab

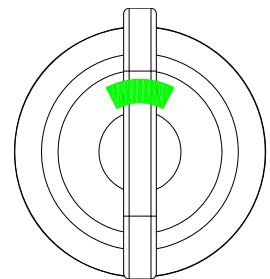
LOCK AND UNLOCK

Insert key into lock on right door. Turn it clockwise 90 degree to lock the door. Turn it counter-clockwise 90 degree to unlock the door.

Before locking the unit, make sure doors are fully closed.



Red indicates locked

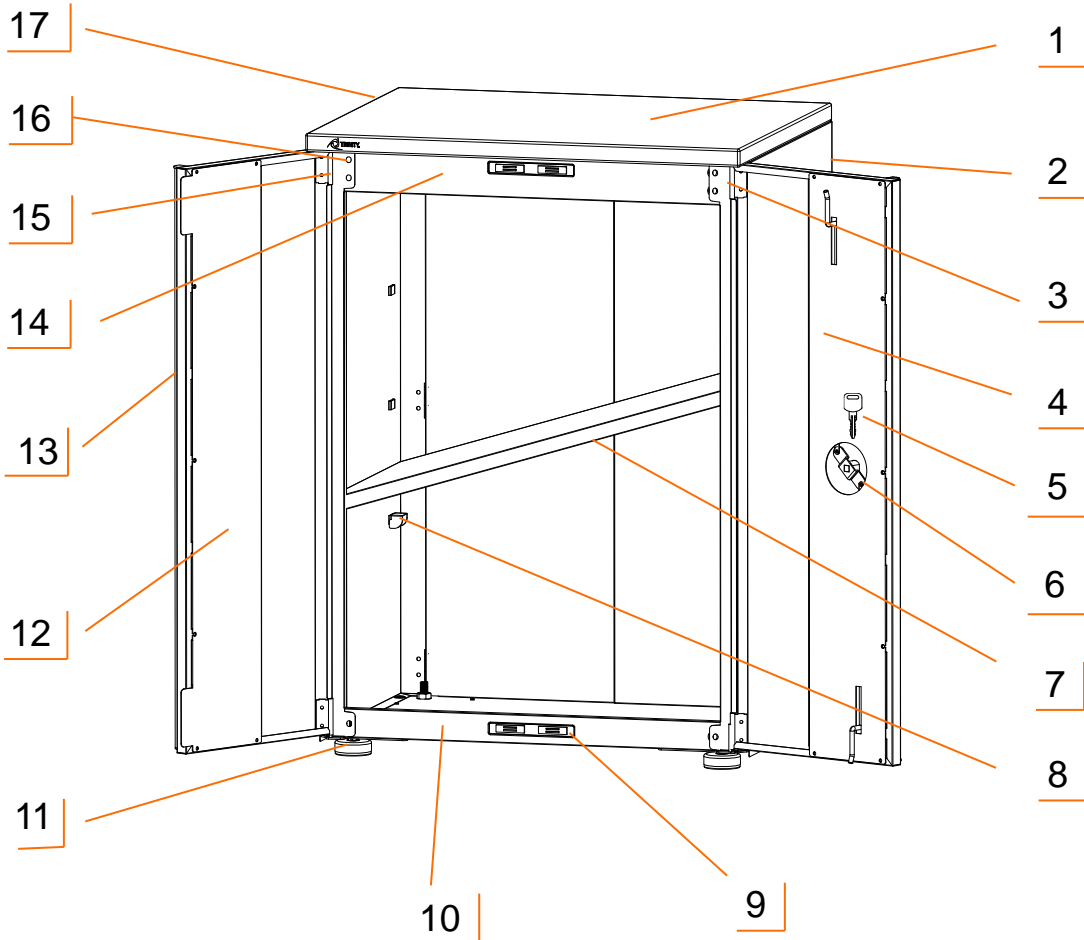


Green indicates unlocked

SERVICE PARTS LIST – TLSPBK-0603

TRINITY Customer Service provides the following replacement parts:

Part Number	Description	Part Number	Description
1) LNA-06-011-2419	Wood Top	10) PBK-16-003-2418	Bottom Panel
2) PBK-18-018-2418	Cabinet Body	11) XWH-98-001-4264	Feet Leveler
3) PBK-09-011-0001	Right Door Hinge	12) PBK-08-007-1132	Left Door
4) PBK-08-006-1132	Right Door	13) AMA-05-019-3150	Door Handle
5) XBK-10-001-0XXX	Key	14) PBK-13-010-2370	Top Beam
6) CSV-11-001-0XXX	Lock	15) PBK-09-012-0001	Left Door Hinge
7) PBK-03-052-2416	Shelf	16) XBK-01-004-0612	Black Screw
8) XSV-02-017-0001	Shelf Support	17) ZSV-01-004-0415	Silver Screw
9) XBK-02-001-0003	Magnetic Catch	# #	#



WARNINGS

1. **Read and understand all instructions.** Failure to follow all instructions may result in injury and/or damage.
2. **The warnings, cautions, and instructions discussed in this manual cannot cover all possible conditions or situations that may occur.** The user must always be aware of their environment and ensure that they use the product in a safe and responsible manner.
3. **Do NOT modify the product in any way.** Unauthorized modification may impair the function and/or safety of the product, and may affect the life of the product. Any modifications will void product warranty.
4. **Check for damaged parts.** Before using this product, carefully check that all parts are in good condition, and that the product will operate properly and perform its intended function. Check for damaged parts and any other conditions that may affect the operation of this product. Replace damaged or worn parts, and never use this product with a damaged part.
5. **Do NOT overload the product.**

Weight capacity of Shelf (evenly distributed)	75 lb
Total weight capacity of Cabinet (evenly distributed)	200 lb

CARE AND MAINTENANCE

- Avoid harsh, abrasive cleaners, and other corrosive chemicals.
- Do not use scouring pad for cleaning.
- This item is not certified for outdoor use.
- Wood top can be cleaned with damp cloth and wiped dry immediately with dry cloth. If needed, solvent-based wood furniture cleaner can be used.
- Clean up any spills immediately to prevent stains from forming on the wood top.

PRODUCT REGISTRATION

Thank you for purchasing a TRINITY 24" Garage Base Cabinet. In order to register your product and receive streamlined customer service, please fill out the following Product Registration Form and (1) fax the form to 310.347.4134 (2) complete the Product Registration Form online at www.trinityii.com or (3) scan and email the form to customerservice@trinityii.com. Include a copy of your original receipt with your submission.

First Name: _____ Last Name: _____

Address: _____

City: _____ State: _____ Zip Code: _____

Email Address: _____ Phone: _____

Product Model #: TLSPBK-0603 Purchase Date: ____ / ____ / ____

Location of Purchase: _____

Please rate the importance of each feature (1=least important; 10=most important)

Quality ____ Price ____ Size/Capacity ____ Appearance ____ Other ____

How did you hear about our product?

- Magazine Ad Catalog Salesperson Word of Mouth
 Internet Store Display Other

Marital Status: Single Married

Household Income: Below \$50,000 \$50,000-\$150,000 \$150,000+

Education: High School College Graduate School

Primary Residence: Own Rent

Comments/Suggestions:



1 YEAR LIMITED WARRANTY

TRINITY 24" Garage Base Cabinet Model # TLSPBK-0603

Trinity International Industries ("Trinity") warrants to the original consumer purchaser ("Purchaser") of the TRINITY 24" Garage Base Cabinet ("Product") that each Product shall be free from defects in workmanship and materials for a period of 1 year from the date of original purchase. Trinity's obligation under this warranty shall be limited to repair or replacement of, or adequate compensation for the Product which shall not be greater than the amount of the purchase price of the Product, at the option of Trinity, during the warranty period. All replaced parts and Products become the property of Trinity and must be returned to Trinity.

This warranty excludes normal wear and tear of the Product and its parts or components, and damage arising from any of the following: negligent use or misuse of the Product, use contrary to this User's Manual, or alteration by any one other than Trinity. The warranty period of 1 year shall not be extended or renewed by the repair or replacement of, or compensation for, the Product. Any warranty implied by applicable law is limited in duration to one year from the date of purchase and is subject to the same conditions and limitations as is provided for our express warranty.

Except as set forth herein, and to the extent of applicable there are no warranties on this Product either express or implied, and Trinity disclaims all warranties including, but not limited to, any implied warranties of merchantability, infringement or fitness for a particular purpose. No warranty or guarantee given by any person, firm, or corporation with respect to this product shall be binding on Trinity.

If your Product is defective or otherwise requires service or parts, please call TRINITY Customer Service toll-free at (800) 985-5506, between 5:00 a.m. and 5:00 p.m., PST. Please tell us which model you purchased, the date of the purchase, and the problem with your Product. A copy of your original purchase receipt must accompany your service request.

LIMITATION OF REMEDIES AND LIABILITY

Trinity (and its employees, officers, members, managers, affiliates and assigns) shall not be liable for any incidental, consequential, special, indirect, remote, special or punitive damages for breach of any warranty, express or implied, including, but not limited to, lost profits, lost savings, loss of anticipated benefits and attorneys' fees, which arise out of the purchase, use or inability to use the Product, whether arising out of contract, negligence, strict tort, product liability, or any other legal theory on which a claim is based. As noted above, to the extent damages are allowed by our express warranty or by applicable law, those damages may not exceed the purchase price paid for the Product. Without limiting the foregoing Purchaser assumes all risk and liability for loss, damage or injury to Purchaser and Purchaser's property and to others and their property arising out of the use, misuse, or inability to use this Product. This limited warranty shall not extend to anyone other than the original purchaser of this product, is nontransferable and states your exclusive remedy.

Some states do not allow the exclusion or limitation of incidental, consequential, special, or punitive damages, so the above limitation or exclusion may not apply to you. The above warranty gives you specific legal rights, and you may have other rights which vary from state to state.

CONTACT US

**QUESTIONS? NEED PARTS?
WE ARE HERE TO HELP!**

Please feel free to contact us. There are no questions too small, or any problems too big. We're committed to providing our customers with the highest level of service.

TRINITY Customer Service

TEL: 800.985.5506

FAX: 310.347.4134

EMAIL: customerservice@trinityii.com

**Monday through Friday
5:00 AM – 5:00 PM (PST)**

www.trinityii.com