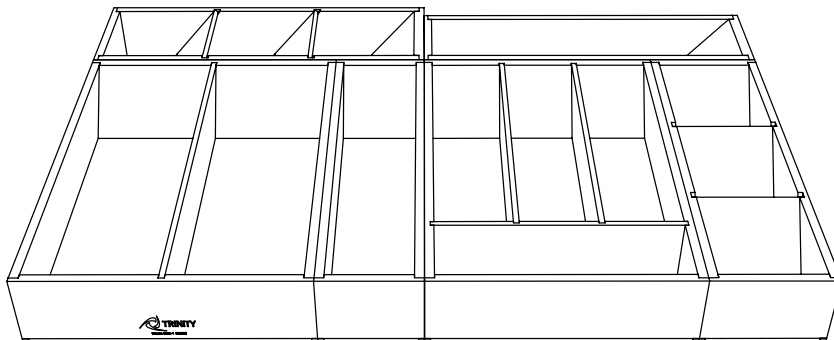




OWNER'S MANUAL



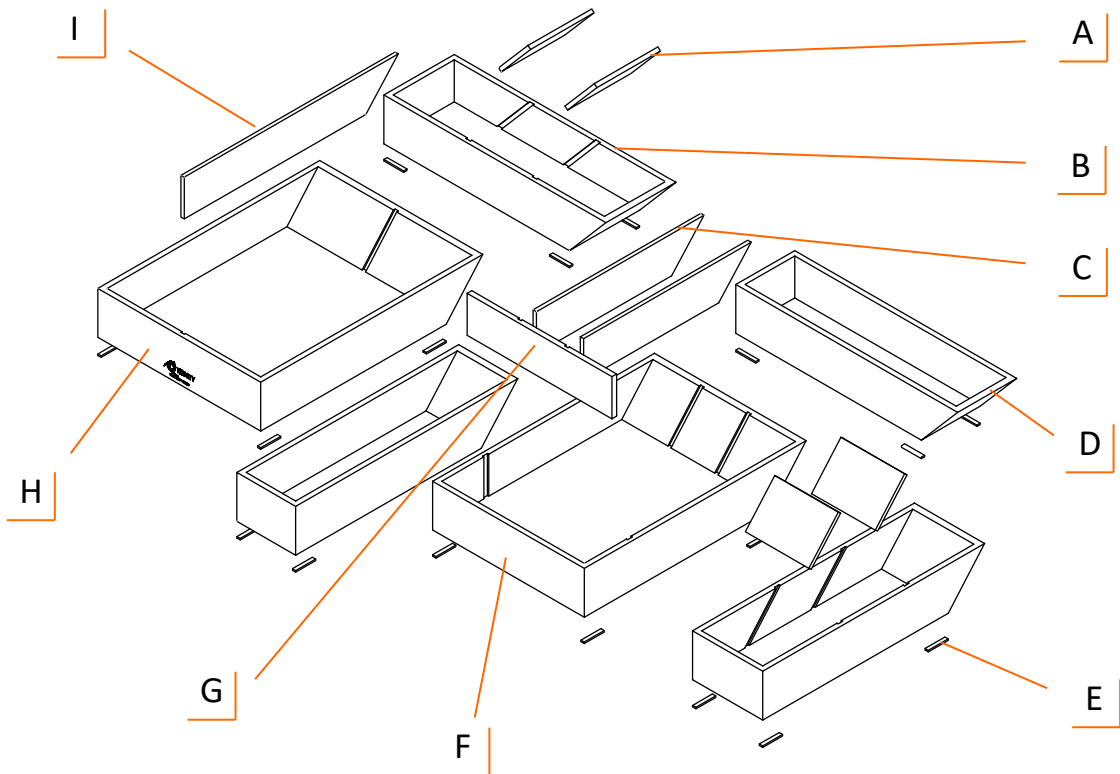
**TRINITY ECOSTORAGE® BAMBOO DRAWER ORGANIZER
W/ DIVIDERS | SET OF 6**

Model # TRJLNA-3804

PARTS LIST

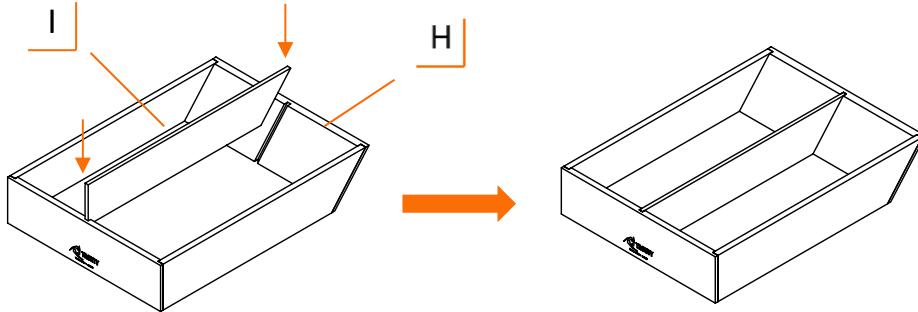
Your TRINITY ECOSTORAGE® Bamboo Drawer Organizer W/ Dividers | Set of 6 should include the following parts.

#	Part Number	Description	Qty
A	LNA-14-063-0402	Small tray divider	4
B	LNA-21-029-0413	Small tray	2
C	LNA-14-063-1002	Utensil vertical divider	2
D	LNA-21-029-0313	Narrow tray	2
E	XBK-98-020-0530	Feet pad (pre-installed)	24
F	LNA-21-029-0913	Utensil tray	1
G	LNA-14-063-0902	Utensil horizontal divider	1
H	LNA-21-029-1013	Large tray	1
I	LNA-14-063-1302	Large tray divider	1

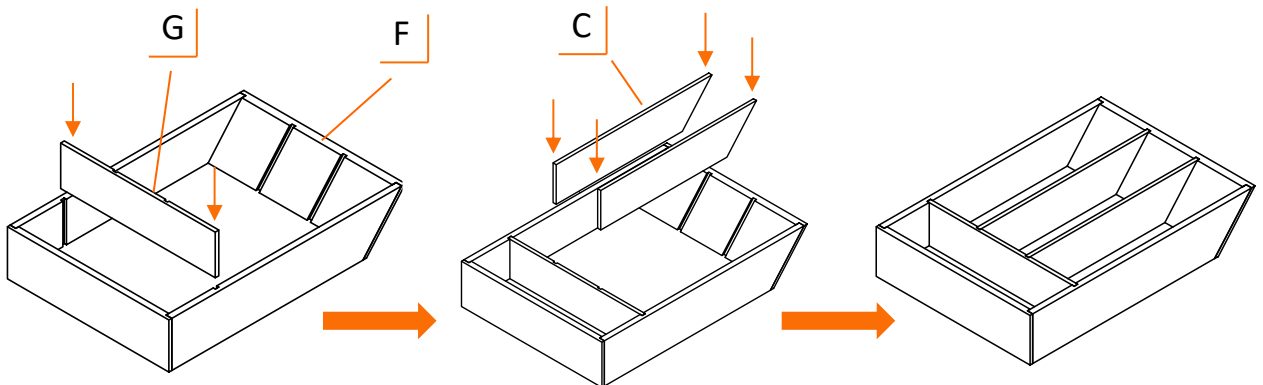


ASSEMBLY INSTRUCTIONS

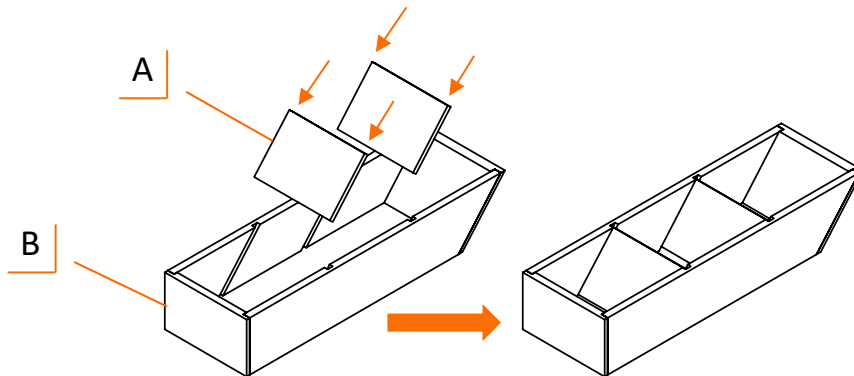
Insert LARGE TRAY DIVIDER (I) into slots on both ends of LARGE TRAY (H) as shown.



Insert UTENSIL VERTICAL DIVIDER (C) AND HORIZONTAL DIVIDERS (G) into UTENSIL TRAY (F) as shown.



Insert SMALL TRAY DIVIDERS (A) into slots on both sides of SMALL TRAY (B) as shown.



WARNINGS

1. **The warnings, cautions, and instructions discussed in this manual cannot cover all possible conditions or situations that may occur.** The user must always be aware of the environment and ensure to use the product in a safe and responsible manner.
2. **Do NOT modify the product in any way.** Unauthorized modification may impair the function and/or safety of the product and may affect the life of the product. Any modifications will void product warranty.
3. **Check for damaged parts.** Before using this product, carefully check that all parts are in good condition, and that the product will operate properly and perform its intended function. Check for damaged parts and any other conditions that may affect the operation of this product. Replace damaged or worn parts and never use this product with a damaged part.

CARE AND MAINTENANCE

- Avoid harsh, abrasive cleaners, and other corrosive chemicals.
- Wipe dry and keep out of direct sunlight.
- The product is designed for indoor use.

1 YEAR LIMITED WARRANTY

For more information on our warranty policy please check online at trinityii.com/1-year-limited-warranty/

CONTACT US

TRINITY Customer Service

TEL: 800.985.5506

FAX: 310.347.4134

EMAIL: customerservice@trinityii.com

Monday through Friday
5:00 AM – 5:00 PM (PST)

www.trinityii.com