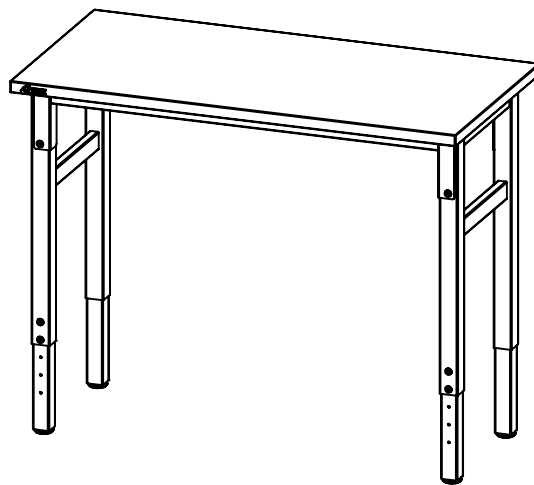




OWNER'S MANUAL



TRINITY 48 IN WOOD TOP WORK TABLE

Model# CTSC-4802 / TSC-4802

IMPORTANT, RETAIN FOR FUTURE REFERENCE: READ CAREFULLY

Important / Important / Importante

FOR 3D ASSEMBLY INSTRUCTIONS

POUR DES DIRECTIVES D'ASSEMBLAGE 3D

PARA INSTRUCCIONES DE ENSAMBLAJE EN 3D



BILT.[®]

Intelligent Instructions
Directives intelligentes
Instrucciones Inteligentes



WARNINGS

1. **Read and understand all instructions.** Failure to follow all instructions may result in injury and/or damage.
2. **The warnings, cautions, and instructions discussed in this manual cannot cover all possible conditions or situations that may occur.** The user must always be aware of the environment and ensure to use the product in a safe and responsible manner.
3. **Do NOT modify the product in any way.** Unauthorized modification may impair the function and/or safety of the product, and may affect the life of the product.
4. **Check for damaged parts.** Before using this product, carefully check that all parts are in good condition, and that the product will operate properly and perform its intended function. Check for damaged parts and any other conditions that may affect the operation of this product. Replace damaged or worn parts, and never use this product with a damaged part.
5. **Do NOT overload the product.** Below capacity is based on evenly distributed weight.

Total weight capacity	363 kg / 800 lb
-----------------------	-----------------

6. **Do NOT allow children to climb or play around the product.** Tipping may occur causing injury.

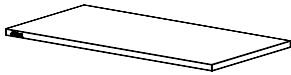
CARE AND MAINTENANCE

- Avoid harsh, abrasive cleaners, and other corrosive chemicals.
- Wood top can be cleaned with damp cloth and wiped dry immediately with dry cloth. If needed, solvent-based wood furniture cleaner can be used.
- Clean up any spills immediately to prevent stains from forming on the wood top.

PARTS LIST

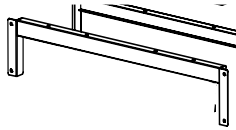
Parts included
Pièces incluses
Piezas incluidas

A



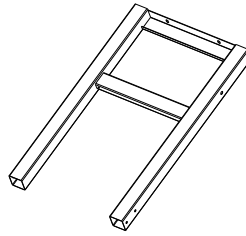
1

B



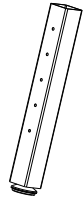
2

C



2

D



4

E



28

F



28

G



28

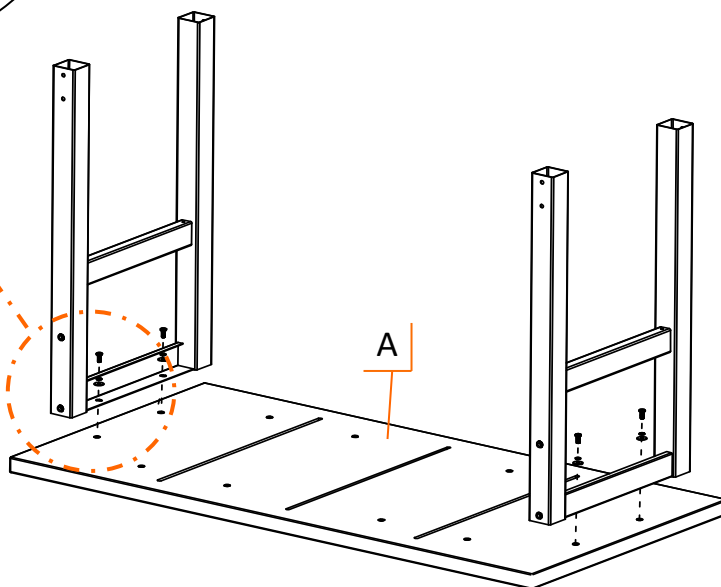
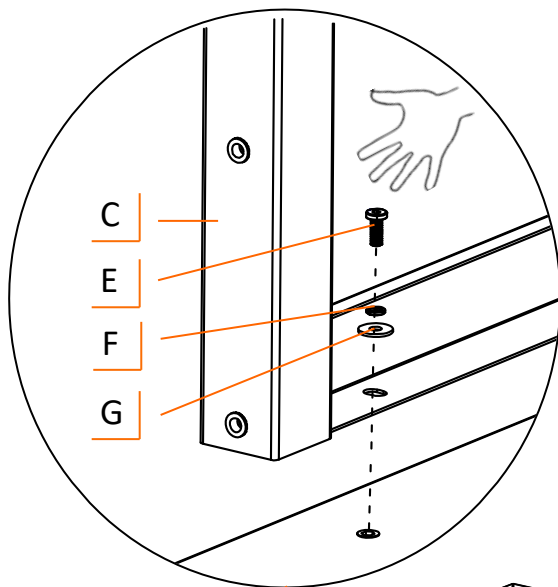
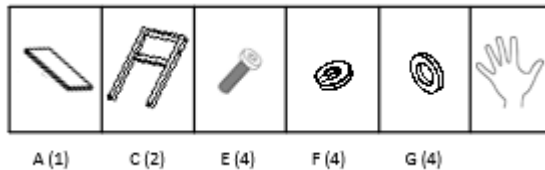
H




1

ASSEMBLY INSTRUCTIONS

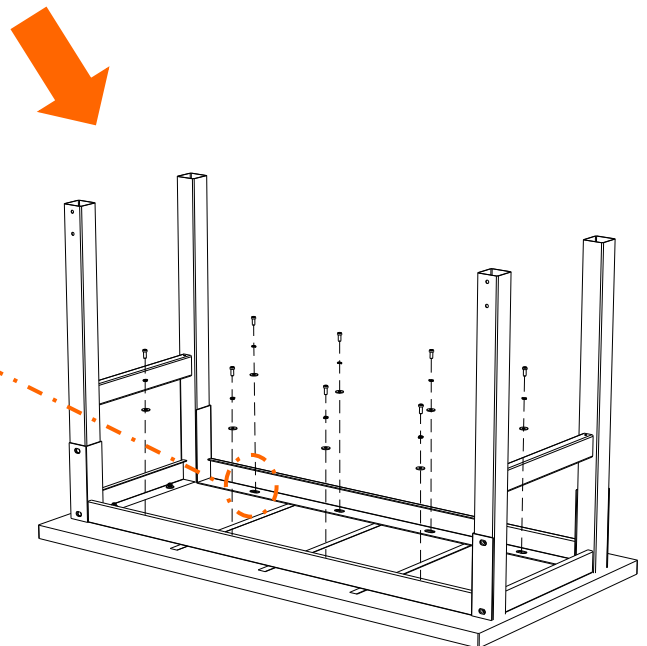
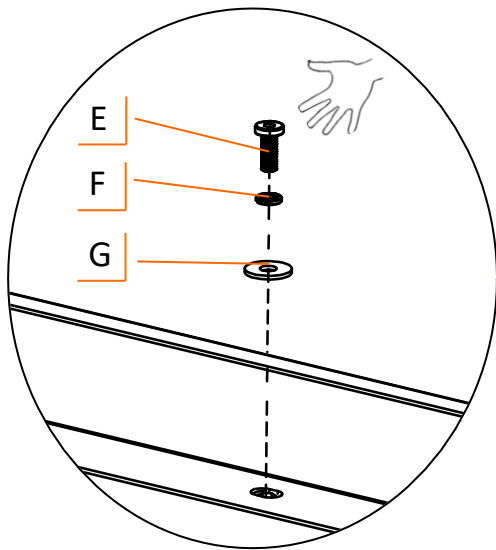
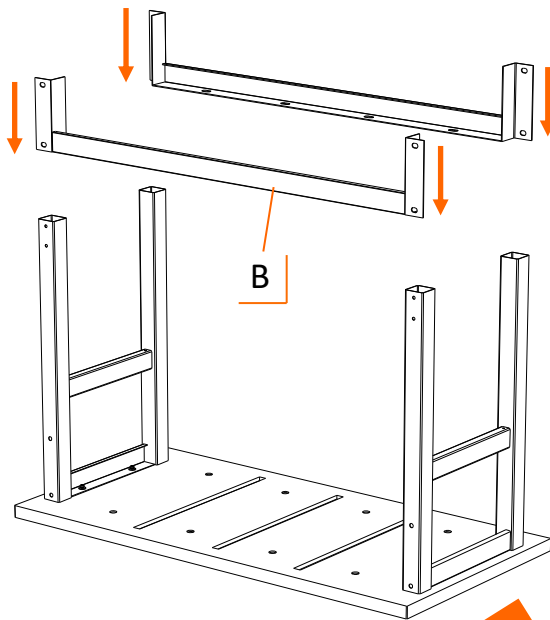
STEP 1 ÉTAPE 1 PASO 1




 Only hand tighten
Serrez seulement à la main
Solo apriete a mano (no use herramientas)

ASSEMBLY INSTRUCTIONS

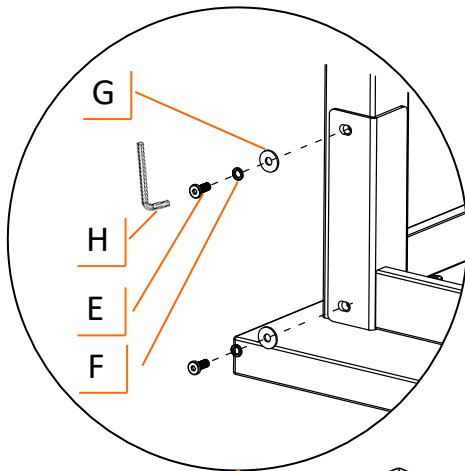
STEP 2 ÉTAPE 2 PASO 2




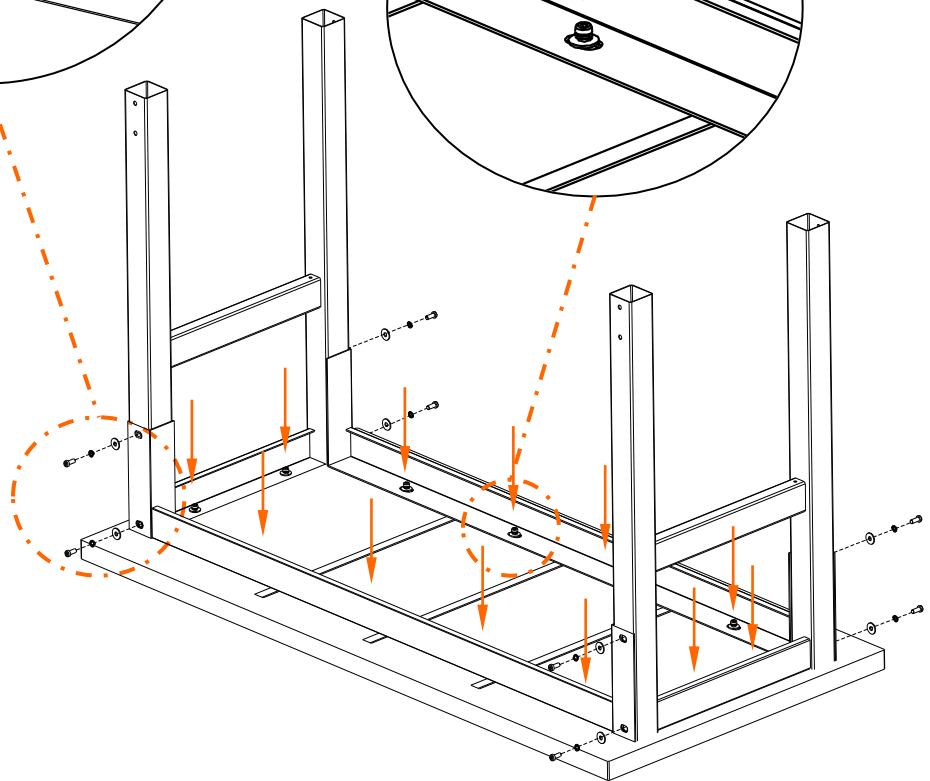
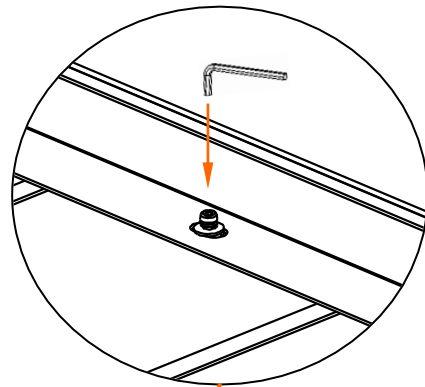
 Only hand tighten
Serrez seulement à la main
Solo apriete a mano (no use herramientas)

ASSEMBLY INSTRUCTIONS

STEP 3 ÉTAPE 3 PASO 3

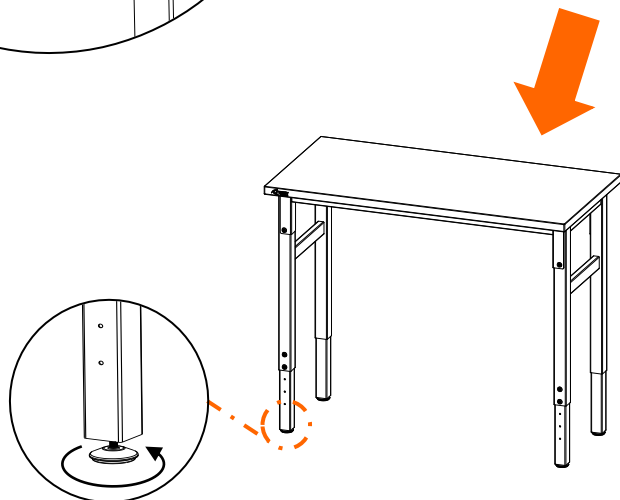
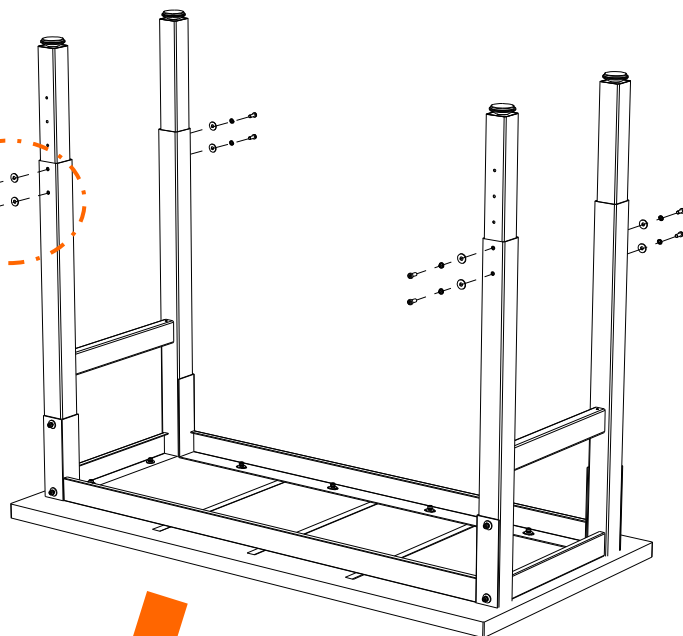
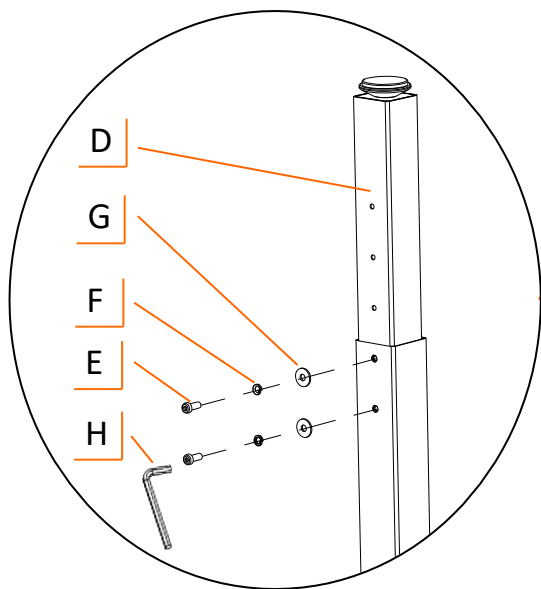
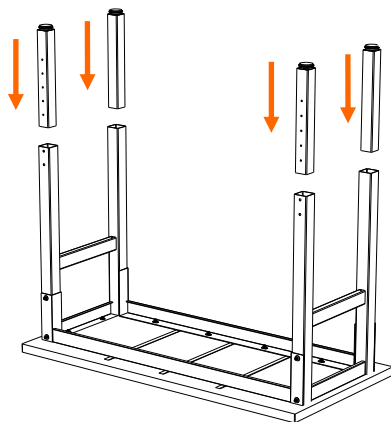
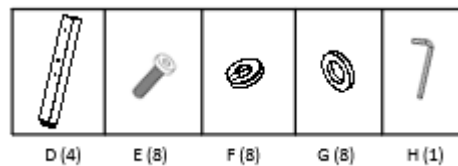


 Tighten all screws
Serrez toutes les vis
Apriete todos los tornillos



ASSEMBLY INSTRUCTIONS

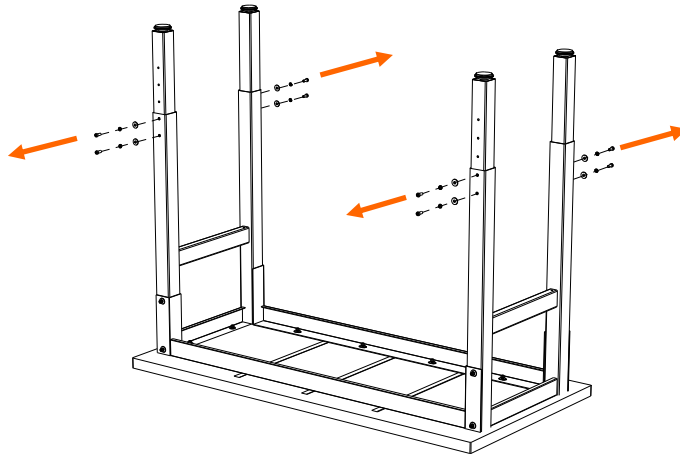
STEP 4
ÉTAPE 4
PASO 4



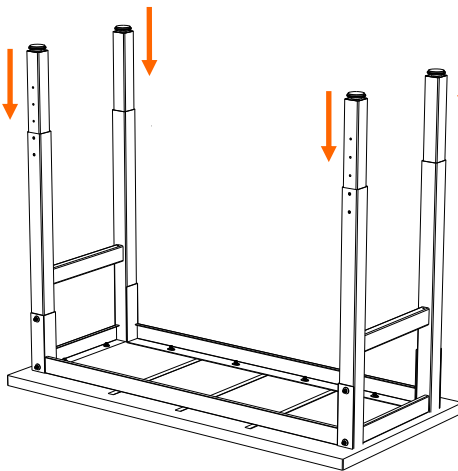
USAGE INSTRUCTIONS

HEIGHT ADJUSTMENT

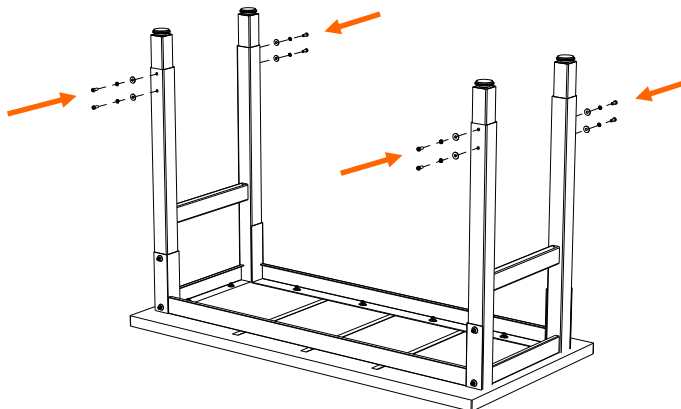
1



2

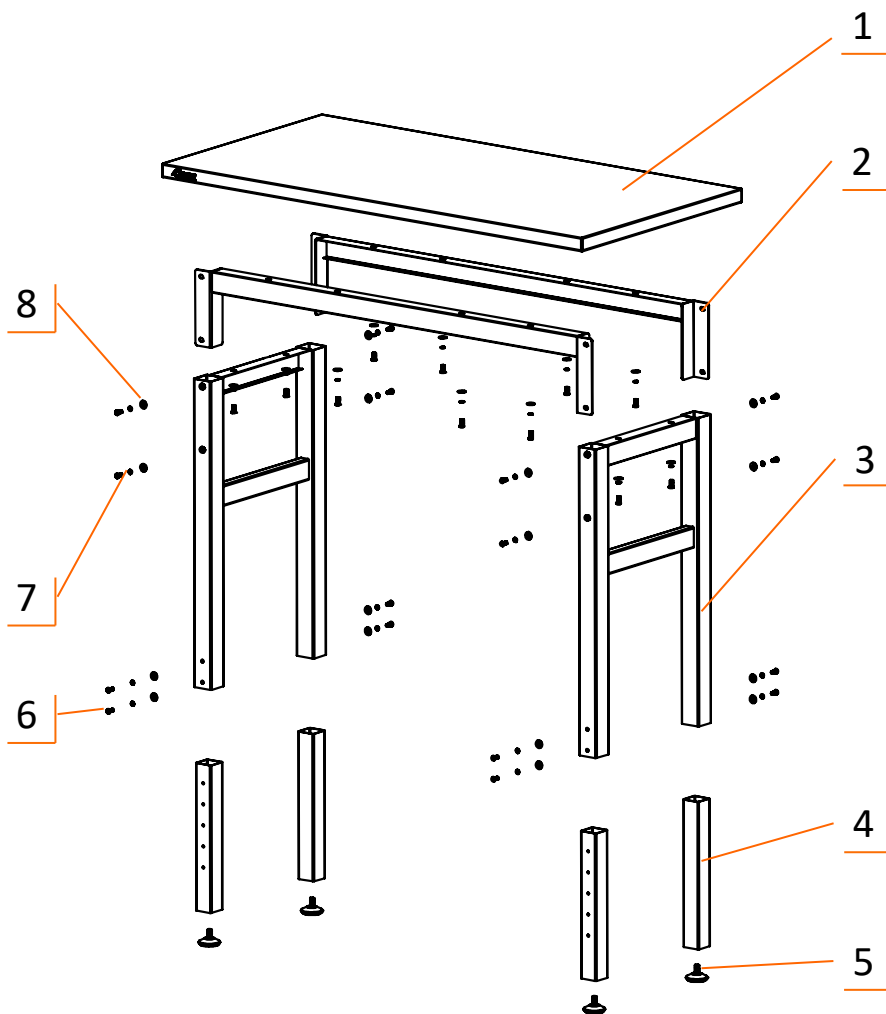


3



SERVICE PARTS LIST– CTSC-4802 / TSC-4802

	Part Number Numéro de pièce Número de la pieza	Part Number Numéro de pièce Número de la pieza	
1)	LNA-06-017-4824	5)	XWH-98-001-4436
2)	PBK-13-002-4190	6)	ZBK-01-002-0615
3)	PBK-14-040-1729	7)	ZBK-01-007-0610
4)	PBK-04-051-1375	8)	ZBK-01-007-0618



CONTACT US

**QUESTIONS? NEED PARTS?
WE ARE HERE TO HELP!**

Please feel free to contact us. There are no questions too small, or any problems too big. We're committed to providing our customers with the highest level of service.

TRINITY Customer Service

TEL: 800.985.5506

FAX: 310.347.4134

EMAIL: customerservice@trinityii.com

**Monday through Friday
5:00 AM – 5:00 PM (PST)**

www.trinityii.com