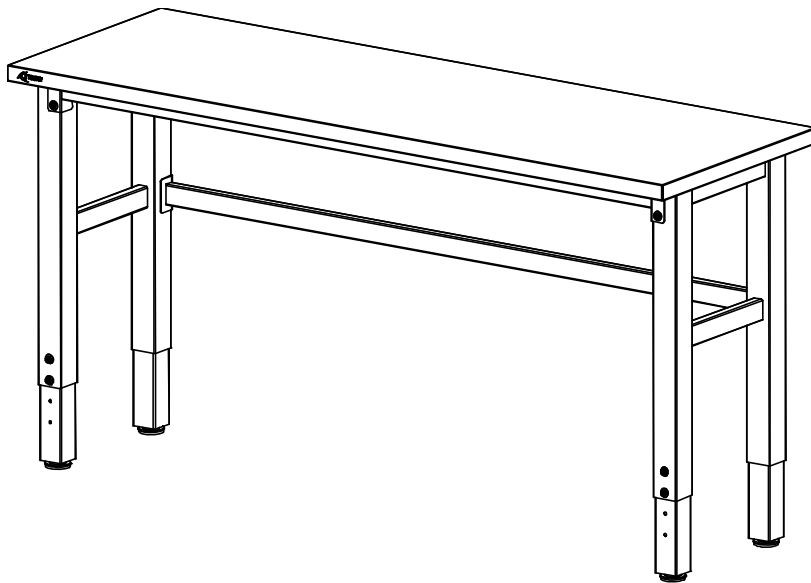




## OWNER'S MANUAL



**TRINITY 72" x 19" Wood Top Work Table**  
**Model # TSC-7202**

**TRINITY 72" x 24" Wood Top Work Table**  
**Model # TSC-7203**



**Important / Important / Importante**



FOR QUICK & EASY 3D ASSEMBLY INSTRUCTIONS

POUR DES DIRECTIVES D'ASSEMBLAGE 3D RAPIDES ET FACILES

PARA INSTRUCCIONES DE ENSAMBLAJE RÁPIDAS Y SENCILLAS EN 3D

**BILT.**<sup>®</sup>

Intelligent Instructions  
Directives intelligentes  
Instrucciones Inteligentes



DOWNLOAD THE FREE APP | TÉLÉCHARGER L'APPLICATION GRATUITE | DESCARGUE LA APLICACIÓN GRATUITA

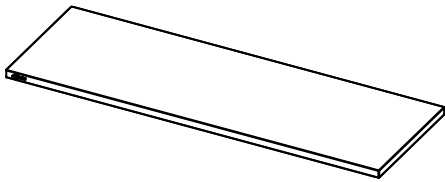
# PARTS LIST

Your TRINITY 72" Wood Top Work Table should include the following parts. Please inspect box contents to ensure you have received all components.

If you are missing any parts, need assistance with assembly or have questions, please contact TRINITY Customer Service: 800.985.5506 or [customerservice@trinityii.com](mailto:customerservice@trinityii.com). Parts can also be requested online via "Contact Us" section at [www.trinityii.com](http://www.trinityii.com).

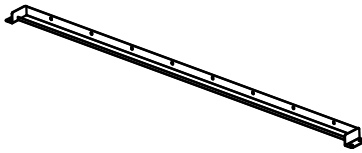
For assembly you will need a Phillips screwdriver. A drill with 13mm socket and Phillips bit is recommended.

**A**



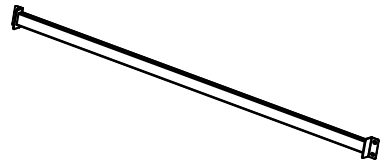
**WOOD TOP (1)**  
TSC-7202: 72"x19"  
TSC-7203: 72"x24"

**B**



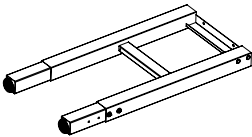
**TOP CROSS BEAM (2)**

**C**



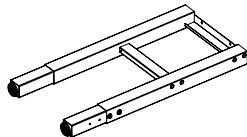
**BOTTOM CROSS BEAM (1)**

**D**



**RIGHT SIDE FRAME (1)**  
Feet Levelers  
pre-installed

**E**



**LEFT SIDE FRAME (1)**  
Feet Levelers  
pre-installed

**F**



**LARGE BOLT (12)**  
13mm Hex Head

**G**



**LARGE WASHER (12)**

**H**



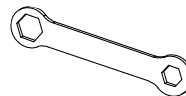
**SMALL SCREW (20)**  
Phillips Head

**I**



**SMALL WASHER (20)**

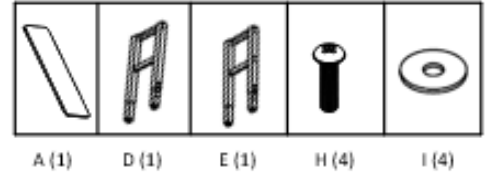
**J**



**WRENCH (1)**

# ASSEMBLY INSTRUCTIONS

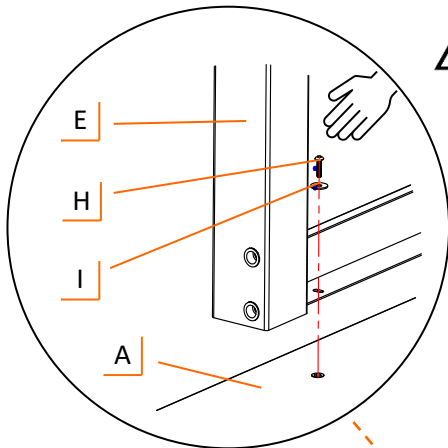
## STEP 1



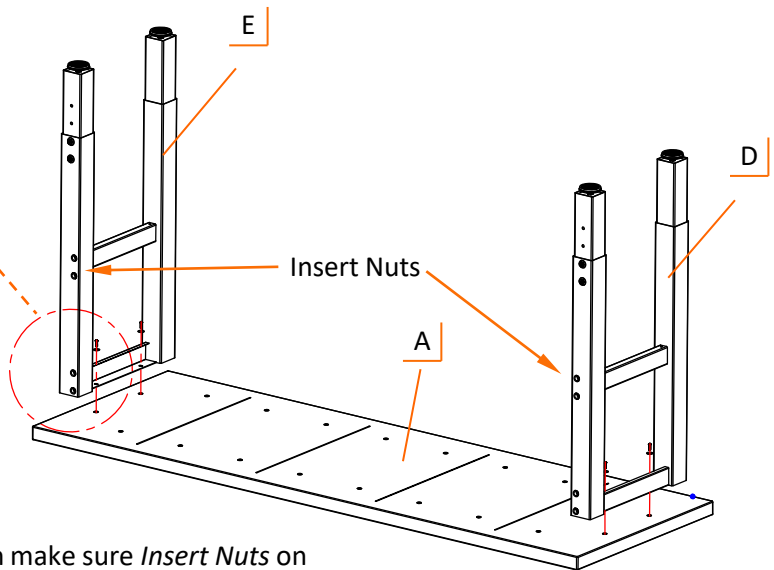
Find WOOD TOP (A) box inside package and place it tape-side up on the ground on a smooth flat surface. Make sure there is enough space to open and unfold box.

Open WOOD TOP (A) box carefully keeping WOOD TOP (A) laying face down inside. Unfold box to use as a work surface.

Take RIGHT (D) and LEFT (E) SIDE FRAMES and orient parts as shown. Attach SIDE FRAMES (D+E) to WOOD TOP (A) using (4) SMALL SCREWS (H) and (4) SMALL WASHERS (I).



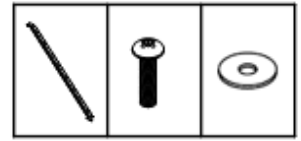
**⚠** Only hand tighten SMALL SCREWS (H). Do not fully tighten until Step 4.



- ⚠** For proper orientation make sure *Insert Nuts* on SIDE FRAME for mounting CROSS BEAMS are towards the inside of the table.
- The side with extra set of *Insert Nuts* for BOTTOM CROSS BEAM (C) should be oriented towards back of table, opposite logo edge on WOOD TOP (A).

# ASSEMBLY INSTRUCTIONS

## STEP 2



B (2)


H (16)

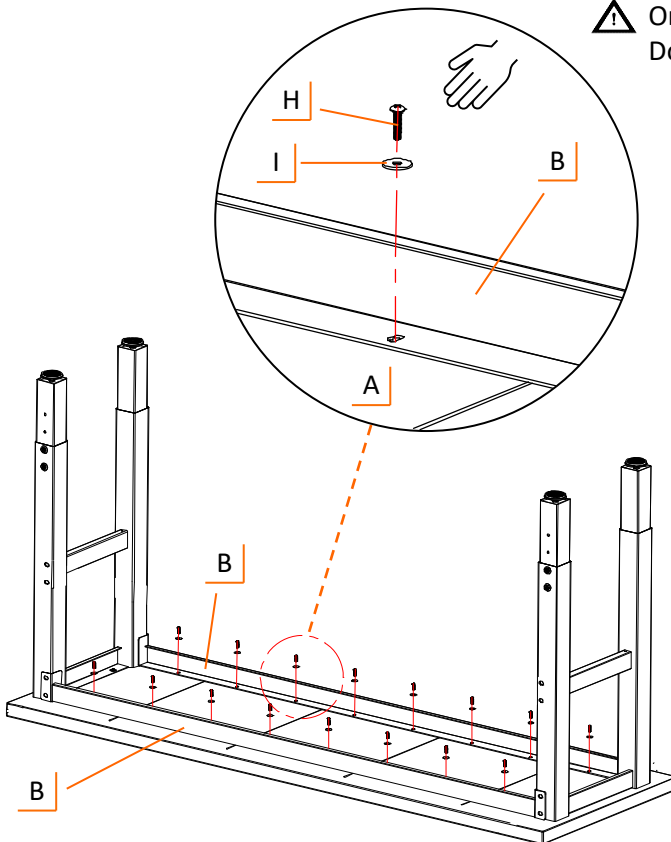
I (16)

Place TOP CROSS BEAMS (B) on Wood Top. Make sure holes on “L” brackets on end of TOP CROSS BEAMS (B) line up on outside of Side Frames.

Align TOP CROSS BEAMS (B) with insert nuts found on underside of Wood Top.

Insert (16) SMALL SCREWS (H) through SMALL WASHERS (I) and partially tighten by hand to attach TOP CROSS BEAMS (B) to WOOD TOP (A).

 Only hand tighten SMALL SCREWS (H). Do not fully tighten until Step 4.



# ASSEMBLY INSTRUCTIONS

## STEP 3

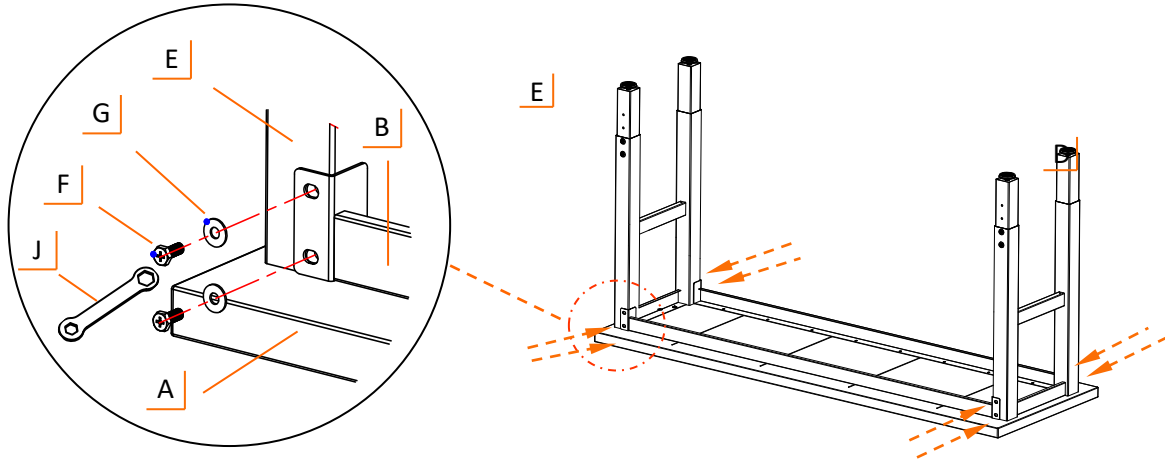
Attach TOP CROSS BEAMS (B) to Side Frames using (8) LARGE BOLTS (F) and (8) LARGE WASHERS (G).




F (8)

G (8)

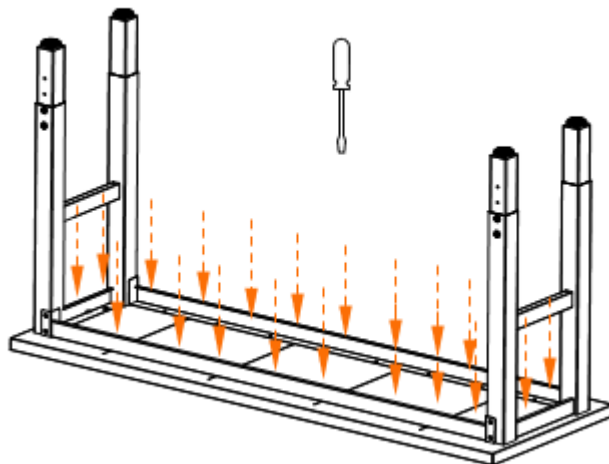
J (1)



 Fully tighten bolts with provided wrench or a screwdriver.

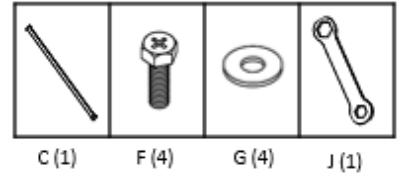
## STEP 4

Fully tighten all (20) SCREWS (H) to WOOD TOP (A) with a Phillips screwdriver.



# ASSEMBLY INSTRUCTIONS

## STEP 5

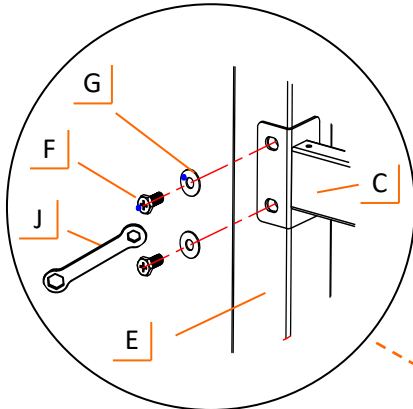



Take **BOTTOM CROSS BEAM (C)** and align it to **RIGHT (D)** and **LEFT (E)** **SIDE FRAMES** as shown. Make sure holes on "L" brackets on end of **BOTTOM CROSS BEAM (C)** line up on outside of Side Frames.

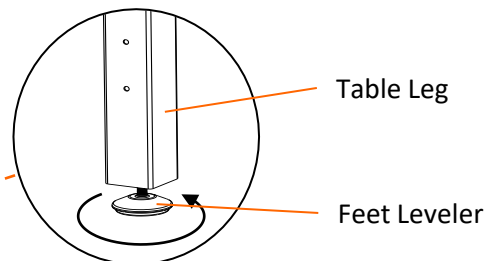
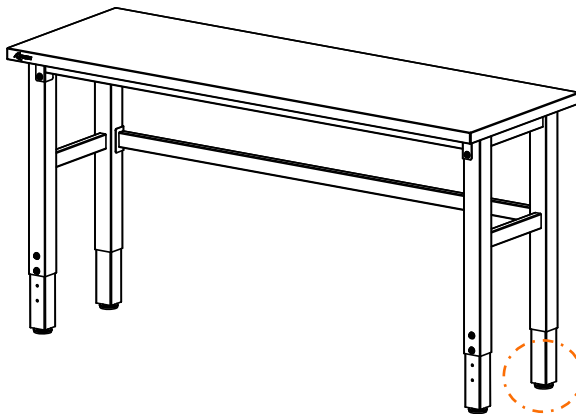
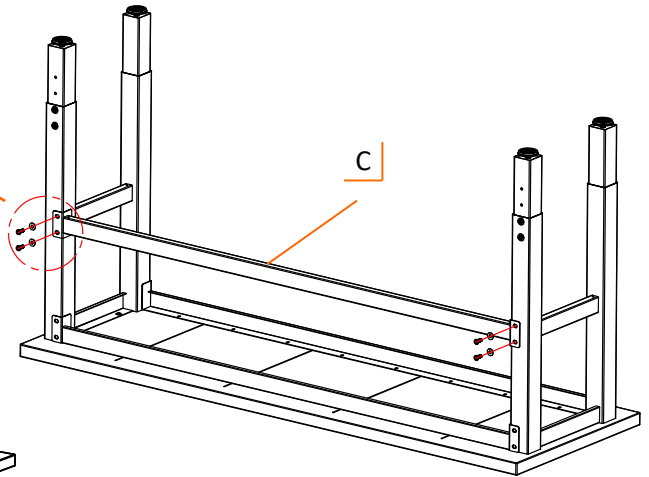
Attach **BOTTOM CROSS BEAM (C)** to Side Frames using (4) **LARGE BOLTS (F)** and (4) **LARGE WASHERS (G)**.

Adjust table height if desired (see next page) before carefully turning table upright.

Adjust Feet Levelers to ensure Table is level.



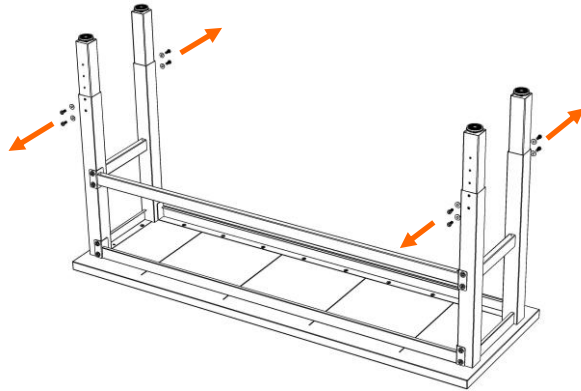
 Fully tighten bolts with provided wrench or a screwdriver.



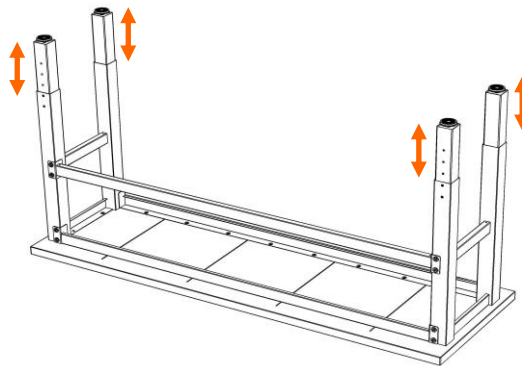
# USAGE INSTRUCTIONS

## HEIGHT ADJUSTMENT

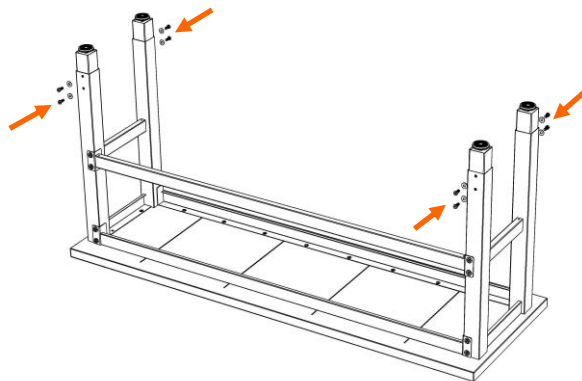
1. With table upside down, remove LARGE BOLTS (F) and LARGE WASHERS (G) from table legs.



2. Adjust legs to desired height. Make sure height adjustment allows for (2) LARGE BOLTS (F) to be inserted into each table leg. Table height can be adjusted from 34" to 40" in 2" increments.



3. Insert and tighten (2) LARGE BOLTS (F) and LARGE WASHERS (G). Adjust Feet Levelers to ensure Table is level.

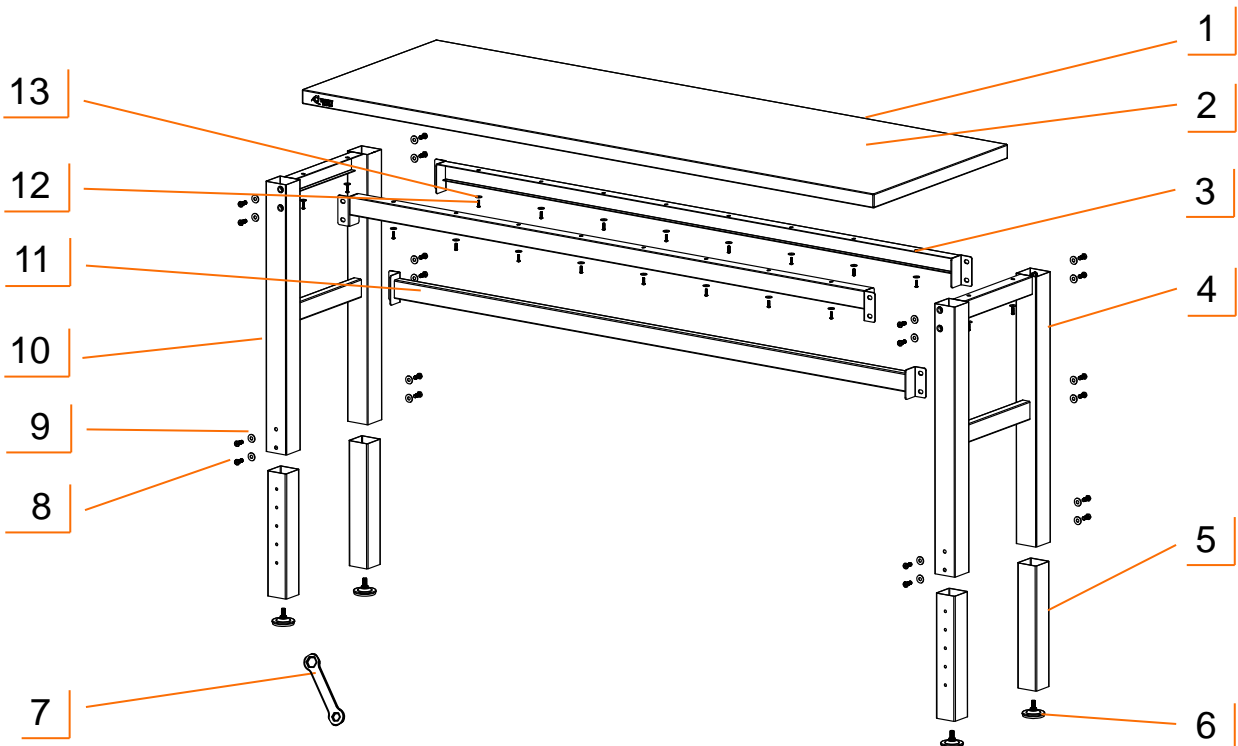


J (1)

# SERVICE PARTS LIST – TSC-7202 / TSC-7203

TRINITY Customer Service provides the following replacement parts:

Part Number	Description	Part Number	Description
1) LNA-06-002-7219	Wood Top-72"x19"	8) ZBK-01-038-0820	Large Bolt
2) LNA-06-002-7224	Wood Top-72"x24"	9) ZBK-01-007-0816	Large Washer
3) PBK-13-002-6750	Top Cross Beam	10) PBK-14-002-1729	Left Side Frame
4) PBK-14-003-1729	Right Side Frame	11) PBK-13-001-6750	Bottom Cross Beam
5) PBK-04-011-1250	Adjustable Leg	12) ZSV-01-004-0415	Small Screw
6) XBK-98-016-4160	Feet Leveler	13) ZSV-01-007-0412	Small Washer
7) XXX-97-003-0001	Wrench		





---

## WARNINGS

1. **Read and understand all instructions.** Failure to follow all instructions may result in injury and/or damage.
2. **The warnings, cautions, and instructions discussed in this manual cannot cover all possible conditions or situations that may occur.** The user must always be aware of their environment and ensure that they use the product in a safe and responsible manner.
3. **Do NOT modify the product in any way.** Unauthorized modification may impair the function and/or safety of the product, and may affect the life of the product. Any modifications will void product warranty.
4. **Check for damaged parts.** Before using this product, carefully check that all parts are in good condition, and that the product will operate properly and perform its intended function. Check for damaged parts and any other conditions that may affect the operation of this product. Replace damaged or worn parts, and never use this product with a damaged part.
5. **Do NOT overload the product.**

Total weight capacity of work table (evenly distributed)	2,000 lb
--	----------

6. **Assemble the product as instructed.** Ensure that ALL screws are used to assemble the product. Do NOT leave any off.
7. **Do NOT allow children to climb or play around the product.** Tipping may occur causing injury.

---

## CARE AND MAINTENANCE

- Avoid harsh, abrasive cleaners, and other corrosive chemicals.
- Wood top can be cleaned with damp cloth and wiped dry immediately with dry cloth. If needed, solvent-based wood furniture cleaner can be used.
- Clean up any spills immediately to prevent stains from forming on wood top.
- Do not put hot items directly on wood top to prevent damaging and discoloring wood surface.

# PRODUCT REGISTRATION

Thank you for purchasing a TRINITY 72" Wood Top Work Table. In order to register your product and receive streamlined customer service, please fill out the following Product Registration Form and (1) fax the form to 310.347.4134 (2) complete the Product Registration Form online at [www.trinityii.com](http://www.trinityii.com) or (3) scan and email the form to [customerservice@trinityii.com](mailto:customerservice@trinityii.com). Include a copy of your original receipt with your submission.

First Name: \_\_\_\_\_ Last Name: \_\_\_\_\_

Address: \_\_\_\_\_

City: \_\_\_\_\_ State: \_\_\_\_\_ Zip Code: \_\_\_\_\_

Email Address: \_\_\_\_\_ Phone: \_\_\_\_\_

Product Model #: TSC-7202 / 7203 Purchase Date: \_\_\_\_ / \_\_\_\_ / \_\_\_\_

Location of Purchase: \_\_\_\_\_

Please rate the importance of each feature (1=least important; 10=most important)

Quality \_\_\_\_ Price \_\_\_\_ Size/Capacity \_\_\_\_ Appearance \_\_\_\_ Other \_\_\_\_

How did you hear about our product?

- Magazine Ad     Catalog     Salesperson     Word of Mouth  
 Internet     Store Display     Other

Marital Status:                       Single                       Married

Household Income:               Below \$50,000     \$50,000-\$150,000     \$150,000+

Education:                       High School     College     Graduate School

Primary Residence:               Own                       Rent

Comments/Suggestions:



---

# 1 YEAR LIMITED WARRANTY

## TRINITY 72" Wood Top Work Table Model # TSC-7202 / TSC-7203

Trinity International Industries ("Trinity") warrants to the original consumer purchaser ("Purchaser") of the TRINITY 72" Wood Top Work Table ("Product") that each Product shall be free from defects in workmanship and materials for a period of 1 year from the date of original purchase. Trinity's obligation under this warranty shall be limited to repair or replacement of, or adequate compensation for the Product which shall not be greater than the amount of the purchase price of the Product, at the option of Trinity, during the warranty period. All replaced parts and Products become the property of Trinity and must be returned to Trinity.

This warranty excludes normal wear and tear of the Product and its parts or components, and damage arising from any of the following: negligent use or misuse of the Product, use contrary to this User's Manual, or alteration by any one other than Trinity. The warranty period of 1 year shall not be extended or renewed by the repair or replacement of, or compensation for, the Product. Any warranty implied by applicable law is limited in duration to one year from the date of purchase and is subject to the same conditions and limitations as is provided for our express warranty.

Except as set forth herein, and to the extent of applicable there are no warranties on this Product either express or implied, and Trinity disclaims all warranties including, but not limited to, any implied warranties of merchantability, infringement or fitness for a particular purpose. No warranty or guarantee given by any person, firm, or corporation with respect to this product shall be binding on Trinity.

If your Product is defective or otherwise requires service or parts, please call TRINITY Customer Service toll-free at (800) 985-5506, between 5:00 a.m. and 5:00 p.m., PST. Please tell us which model you purchased, the date of the purchase, and the problem with your Product. A copy of your original purchase receipt must accompany your service request.

### LIMITATION OF REMEDIES AND LIABILITY

Trinity (and its employees, officers, members, managers, affiliates and assigns) shall not be liable for any incidental, consequential, special, indirect, remote, special or punitive damages for breach of any warranty, express or implied, including, but not limited to, lost profits, lost savings, loss of anticipated benefits and attorneys' fees, which arise out of the purchase, use or inability to use the Product, whether arising out of contract, negligence, strict tort, product liability, or any other legal theory on which a claim is based. As noted above, to the extent damages are allowed by our express warranty or by applicable law, those damages may not exceed the purchase price paid for the Product. Without limiting the foregoing Purchaser assumes all risk and liability for loss, damage or injury to Purchaser and Purchaser's property and to others and their property arising out of the use, misuse, or inability to use this Product. This limited warranty shall not extend to anyone other than the original purchaser of this product, is nontransferable and states your exclusive remedy.

Some states do not allow the exclusion or limitation of incidental, consequential, special, or punitive damages, so the above limitation or exclusion may not apply to you. The above warranty gives you specific legal rights, and you may have other rights which vary from state to state.

---

## CONTACT US

**QUESTIONS? NEED PARTS?  
WE ARE HERE TO HELP!**

**Please feel free to contact us. There are no questions too small, or any problems too big. We're committed to providing our customers with the highest level of service.**

### **TRINITY Customer Service**

**TEL: 800.985.5506**

**FAX: 310.347.4134**

**EMAIL: [customerservice@trinityii.com](mailto:customerservice@trinityii.com)**

**Monday through Friday  
5:00 AM – 5:00 PM (PST)**

**[www.trinityii.com](http://www.trinityii.com)**