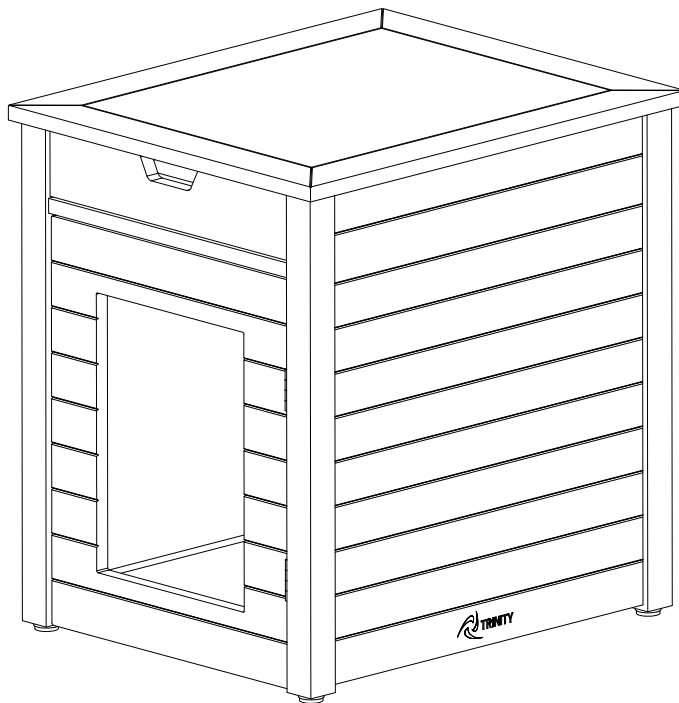




OWNER'S MANUAL



TRINITY 20" LITTER BOX ENCLOSURE END TABLE W/ DRAWER MODEL # TSKLWH-3403 / TSKLDG-3403

Important / Important / Importante

FOR 3D ASSEMBLY INSTRUCTIONS
POUR DES DIRECTIVES D'ASSEMBLAGE 3D
PARA INSTRUCCIONES DE ENSAMBLAJE EN 3D



BILT.[®]

Intelligent Instructions
Directives intelligentes
Instrucciones Inteligentes

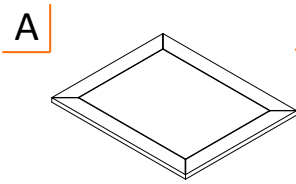


PARTS LIST

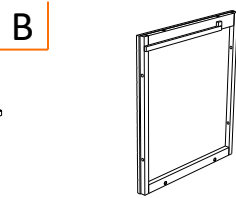
Your TRINITY 20" Litter Box Enclosure End Table w/ Drawer should include the following parts. Please inspect box contents to ensure you have received all components.

If you are missing any parts, need assistance with assembly or have questions, please contact TRINITY Customer Service: 800.985.5506 or customerservice@trinityii.com. Parts can also be requested online via our "Contact Us" section at www.trinityii.com.

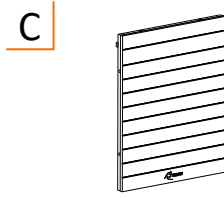
For assembly you will need a Phillips screwdriver.



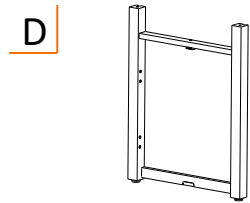
A
WOOD TOP (1)



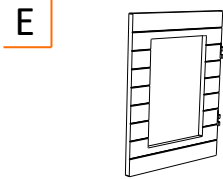
B
LEFT SIDE FRAME (1)
w/o TRINITY logo



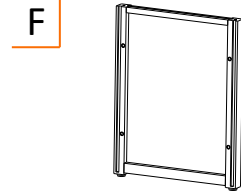
C
RIGHT SIDE FRAME (1)
w/ TRINITY logo



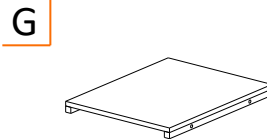
D
FRONT FRAME (1)



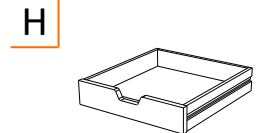
E
FRONT DOOR (1)



F
BACK FRAME (1)



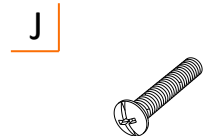
G
BOTTOM FRAME (1)



H
DRAWER (1)



I
SHORT SCREW
(12) + (1) Extra



J
LONG SCREW
(4) + (1) Extra



K
SMALL SCREW
(5) + (1) Extra



L
WASHER
(16) + (2) Extra



M
DRAWER STOPPER (1)



N
DOWEL (4)

Note: To protect product from any scratches or possible damage, please make sure all wood parts are laid on a clean and soft cloth lined surface during assembly process.

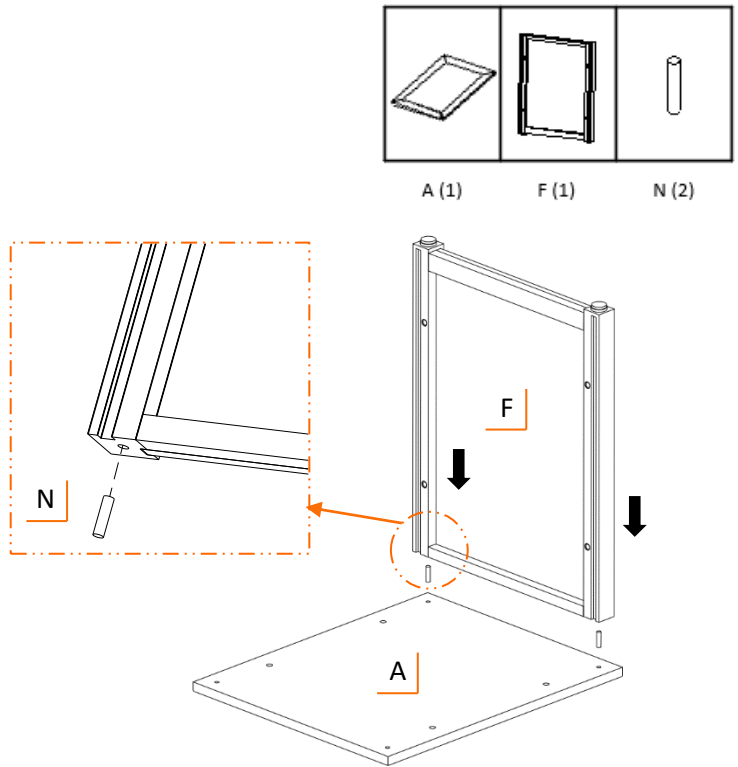
ASSEMBLY INSTRUCTIONS

STEP 1

Lay WOOD TOP (A) on a clean surface with screw holes facing up.

Orient BACK FRAME (F) with feet facing up.

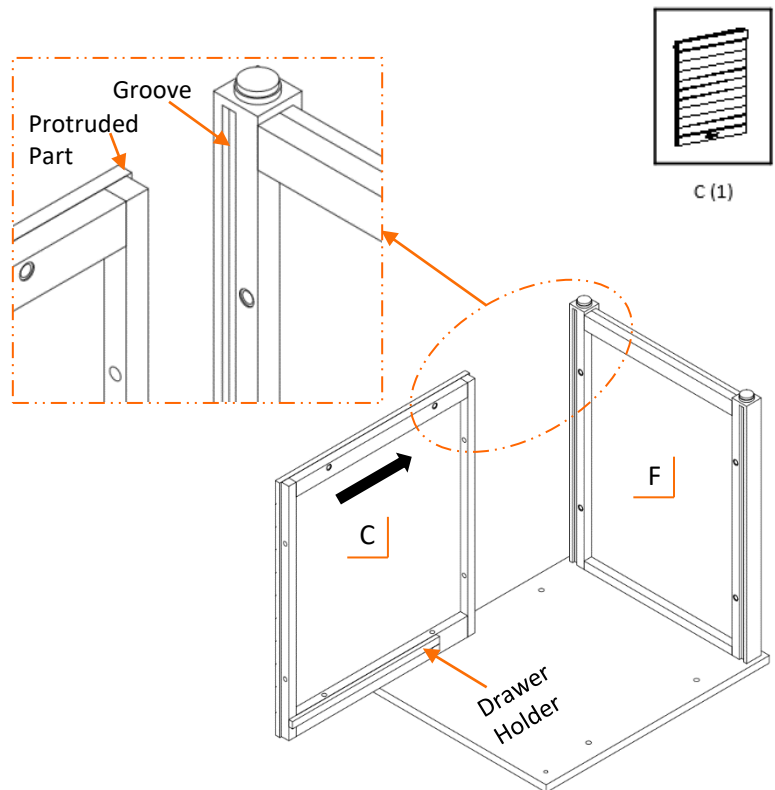
Insert (2) DOWELS (N) into holes on BACK FRAME (F), connecting BACK FRAME (F) and WOOD TOP (A) as shown.



STEP 2

Orient RIGHT SIDE FRAME (C) with drawer holder on bottom. Connect RIGHT SIDE FRAME (C) with BACK FRAME (F) by inserting protruded part of RIGHT SIDE FRAME (C) into groove on BACK FRAME (F).

Note: RIGHT SIDE FRAME (C) has TRINITY logo on it.

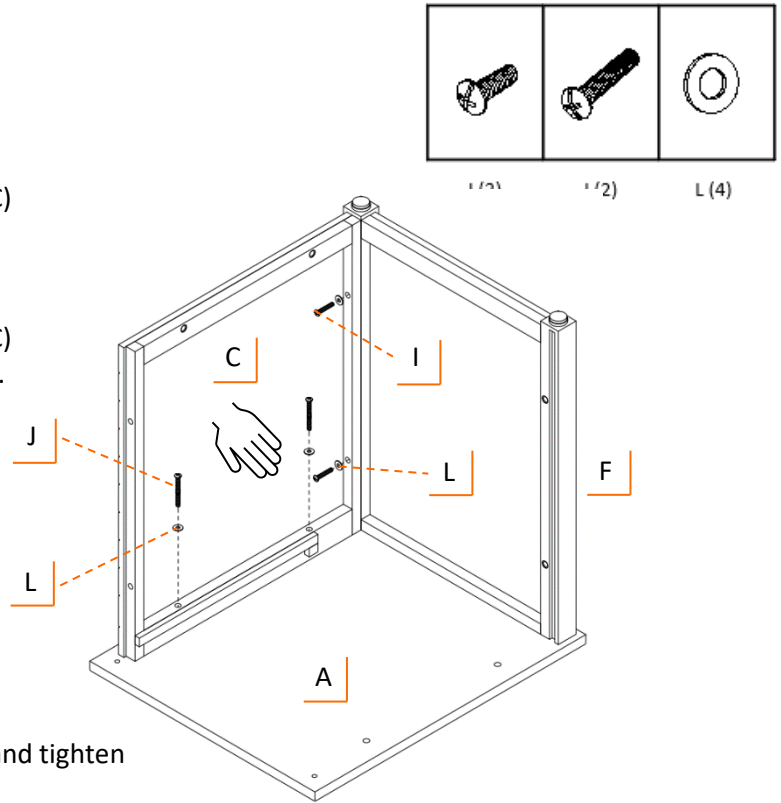


ASSEMBLY INSTRUCTIONS

STEP 3

Insert LONG SCREWS (J) through WASHERS (L) and RIGHT SIDE FRAME (C) and hand tighten onto WOOD TOP (A).

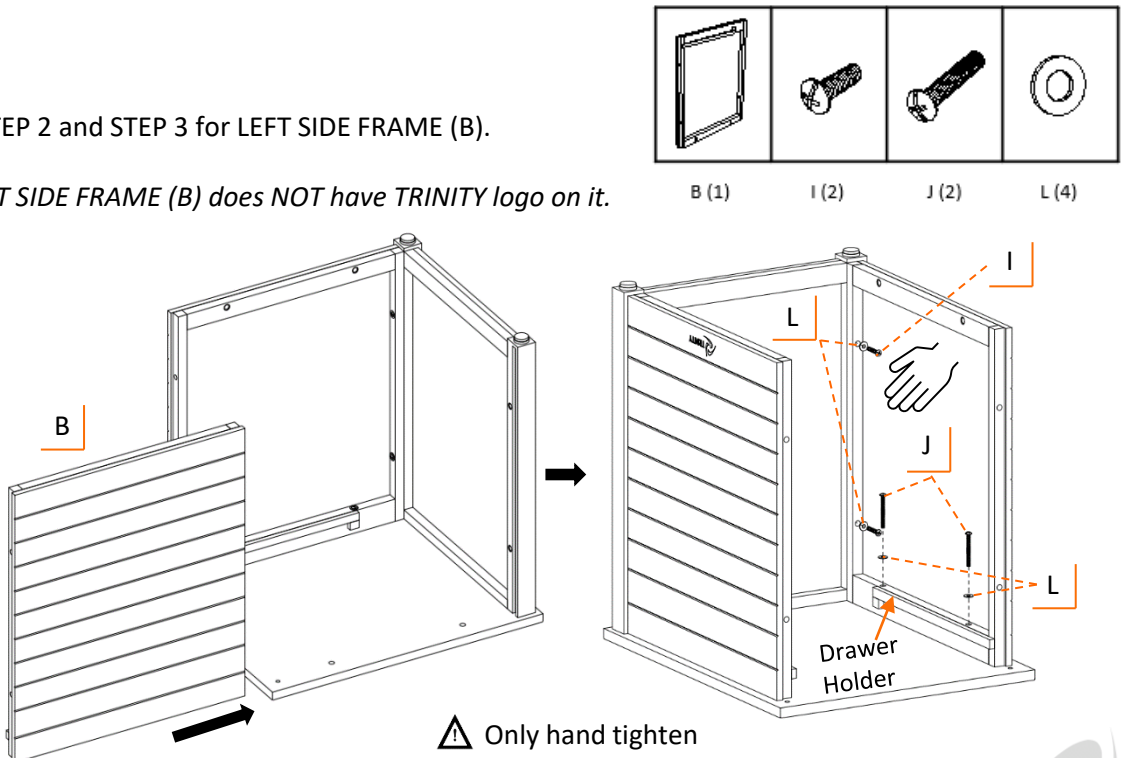
Insert SHORT SCREWS (I) through WASHERS (L) and RIGHT SIDE FRAME (C) and hand tighten onto BACK FRAME (F).



STEP 4

Repeat STEP 2 and STEP 3 for LEFT SIDE FRAME (B).

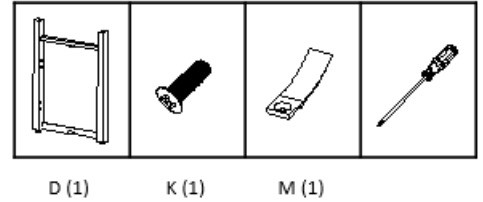
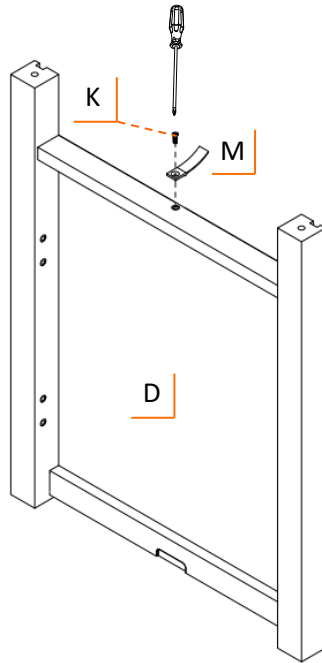
Note: LEFT SIDE FRAME (B) does NOT have TRINITY logo on it.



ASSEMBLY INSTRUCTIONS

STEP 5

Screw SMALL SCREW (K) through DRAWER STOPPER (M) into screw hole on FRONT FRAME (D) as shown, tighten with a screwdriver.

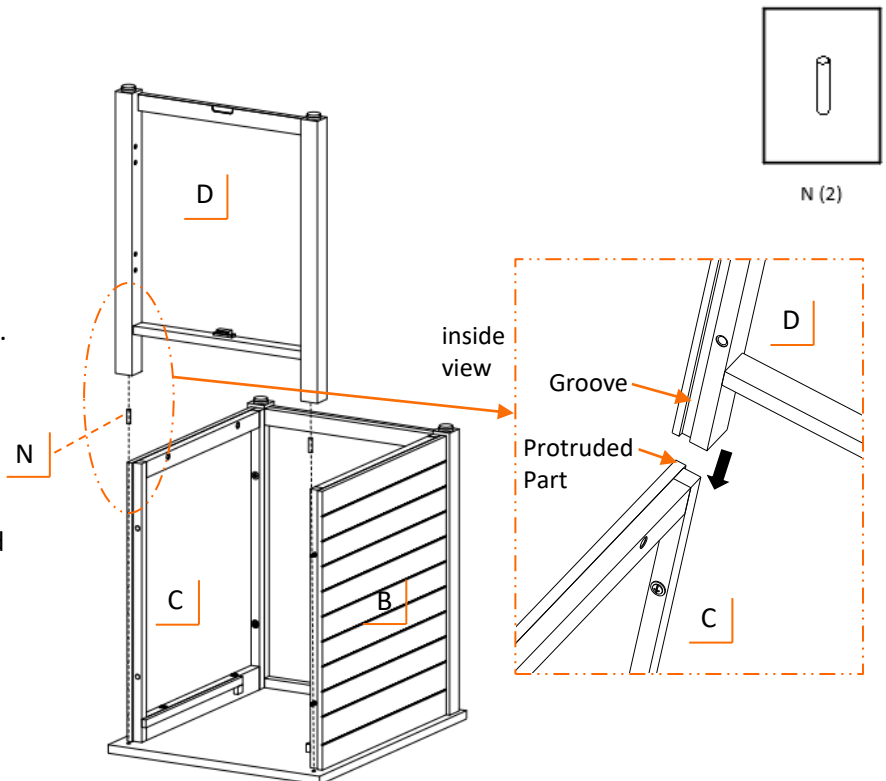


STEP 6

Orient FRONT FRAME (D) with feet facing up and grooves facing inward.

Insert DOWELS (N) into holes on FRONT FRAME (D). Connect FRONT FRAME (D) with WOOD TOP (A) via DOWELS (H) as shown.

Make sure protruded parts of LEFT SIDE FRAME (B) and RIGHT SIDE FRAME (C) are inserted into grooves on FRONT FRAME (D).

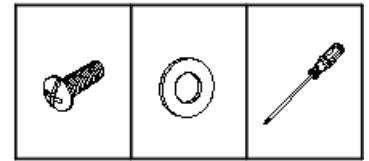


ASSEMBLY INSTRUCTIONS

STEP 7

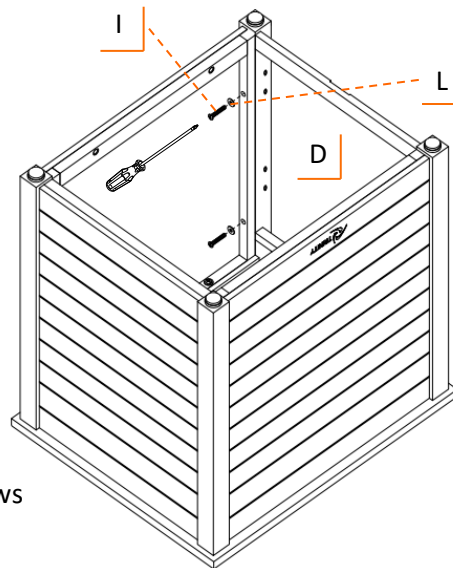
Insert SHORT SCREWS (I) through WASHERS (L) and LEFT SIDE FRAME (B) and fully fasten with a Phillips screwdriver onto FRONT FRAME (D). Repeat for RIGHT SIDE FRAME (C).


Fully tighten all SCREWS from STEP 3 & STEP 4 with a Phillips screwdriver.



I (4)

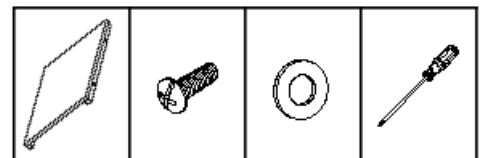
L (4)



 Tighten all screws

STEP 8

Lay STEP 7 assembly on its side and place BOTTOM FRAME (G) with protruded part facing outward as shown.

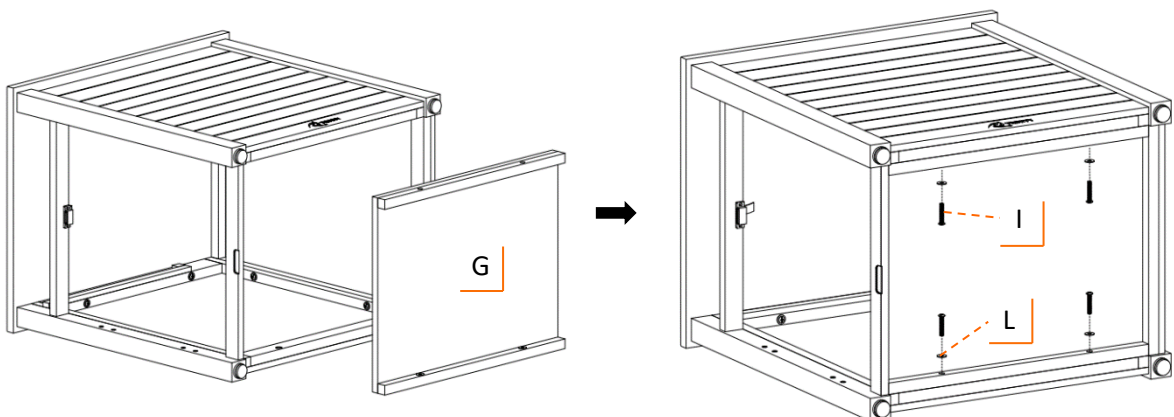


G (1)

I (4)

L (4)

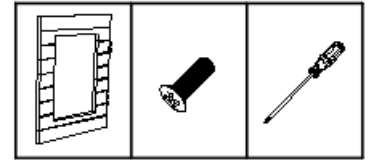
Insert SHORT SCREWS (I) through WASHERS (L) and BOTTOM FRAME (G) and fully fasten with a Phillips screwdriver onto LEFT SIDE FRAME (B) and RIGHT SIDE FRAME (C) as shown.



ASSEMBLY INSTRUCTIONS

STEP 9

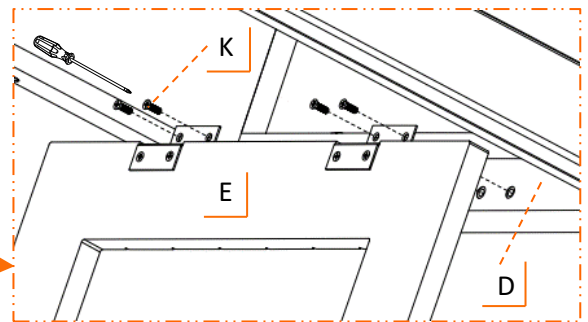
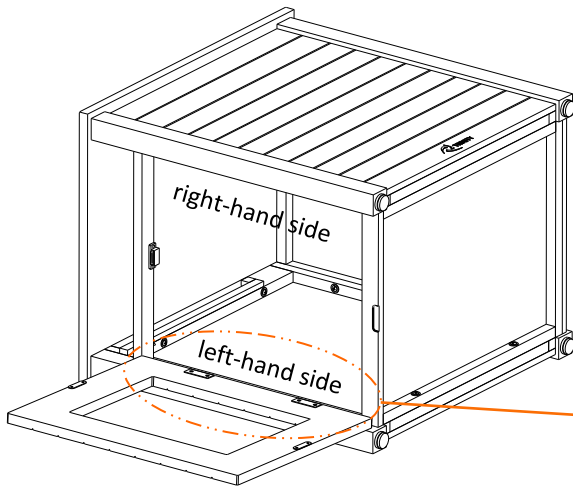
Users can choose to assemble FRONT DOOR (E) on left-hand side or right-hand side.



E (1)

K (4)

Place FRONT DOOR (E) close to FRONT FRAME (D). Insert SMALL SCREWS (K) through hinge screw holes on FRONT DOOR (E), fully fasten with a Phillips screwdriver onto FRONT FRAME (D) as shown. Close FRONT DOOR (E).



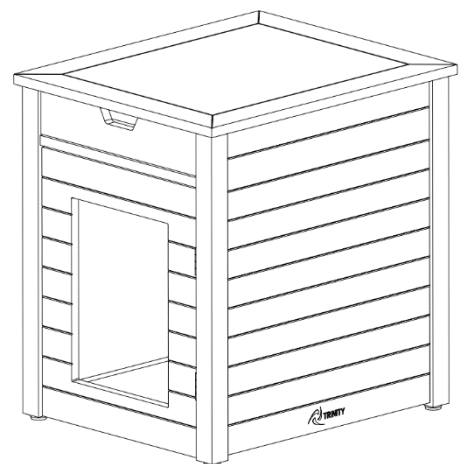
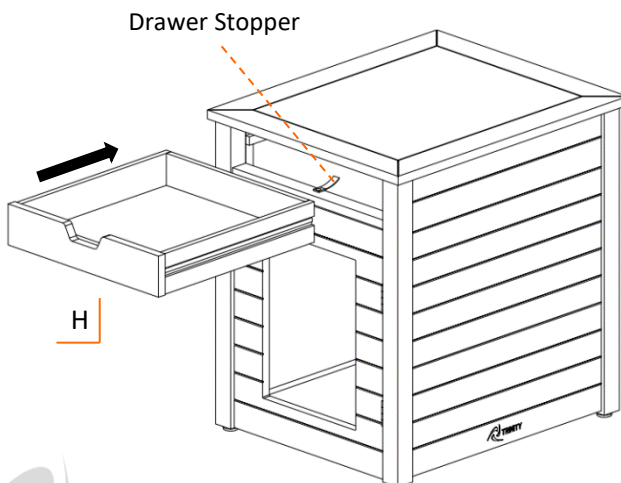
STEP 10

Stand STEP 9 assembly upright and slide DRAWER (H) fully into assembly as shown.



H (1)

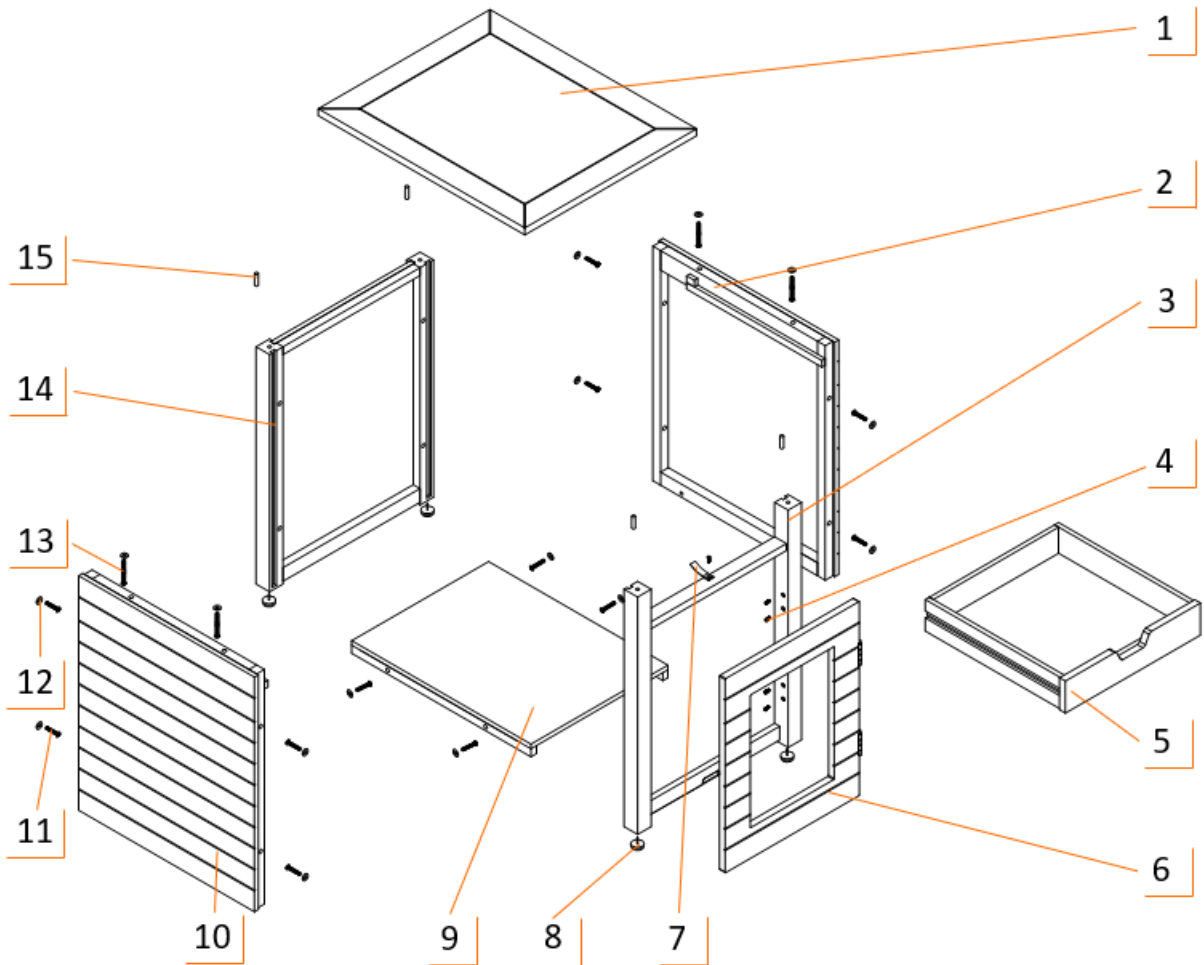
To remove drawer, push Drawer Stopper down underneath drawer to disengage drawer.



SERVICE PARTS LIST – TSKLWH-3403 (White)

TRINITY Customer Service provides the following replacement parts:

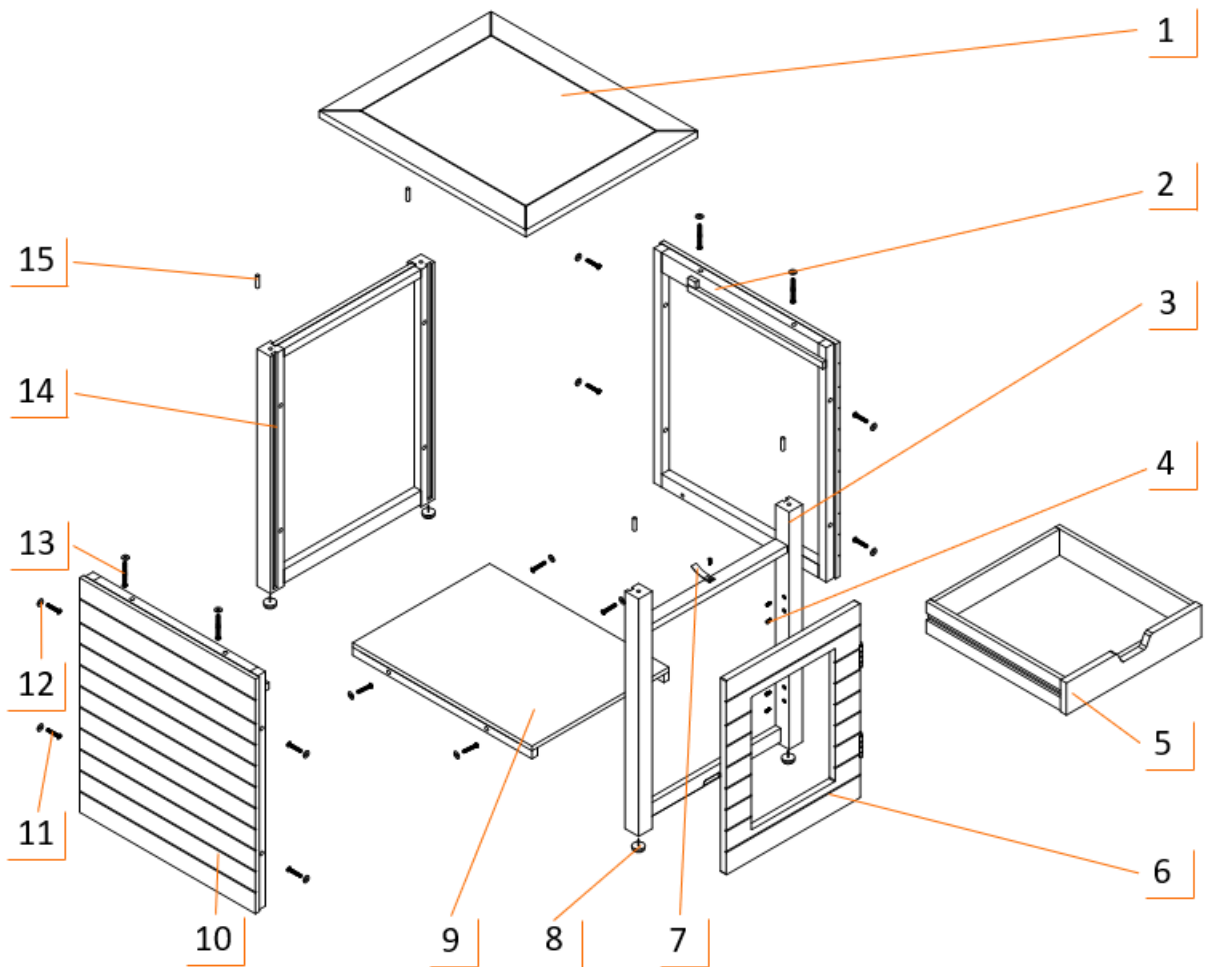
#	Part Number	Description	#	Part Number	Description
1)	LNA-06-019-2024	Wood Top	9)	LWH-16-009-1620	Bottom Frame
2)	LWH-14-050-2124	Right Side Frame	10)	LWH-14-049-2124	Left Side Frame
3)	LWH-15-021-1924	Front Frame	11)	ZSV-01-004-0635	Short Screw
4)	ZSV-01-047-0410	Small Screw	12)	ZSV-01-007-0616	Washer
5)	LWH-21-023-1617	Drawer	13)	ZSV-01-004-0658	Long Screw
6)	LWH-15-021-1620	Front Door	14)	LWH-15-022-1924	Back Frame
7)	XNA-02-065-0001	Drawer Stopper	15)	XNA-01-006-0830	Dowel
8)	XBK-98-017-3009	Foot Pad	#	#	#



SERVICE PARTS LIST – TSKLDG-3403 (Dark Gray)

TRINITY Customer Service provides the following replacement parts:

#	Part Number	Description	#	Part Number	Description
1)	LNA-06-019-2024	Wood Top	9)	LDG-16-009-1620	Bottom Frame
2)	LDG-14-050-2124	Right Side Frame	10)	LDG-14-049-2124	Left Side Frame
3)	LDG-15-021-1924	Front Frame	11)	ZSV-01-004-0635	Short Screw
4)	ZSV-01-047-0410	Small Screw	12)	ZSV-01-007-0616	Washer
5)	LDG-21-023-1617	Drawer	13)	ZSV-01-004-0658	Long Screw
6)	LDG-15-021-1620	Front Door	14)	LDG-15-022-1924	Back Frame
7)	XNA-02-065-0001	Drawer Stopper	15)	XNA-01-006-0830	Dowel
8)	XBK-98-017-3009	Foot Pad	#	#	#



WARNINGS

1. **Read and understand all instructions.** Failure to follow all instructions may result in injury and/or damage.
2. **The warnings, cautions, and instructions discussed in this manual cannot cover all possible conditions or situations that may occur.** The user must always be aware of their environment and ensure that they use the product in a safe and responsible manner.
3. **Do NOT modify the product in any way.** Unauthorized modification may impair the function and/or safety of the product, and may affect the life of the product. Any modifications will void warranty.
4. **Check for damaged parts.** Before using this product, carefully check that all parts are in good condition, and that the product will operate properly and perform its intended function. Check for damaged parts and any other conditions that may affect the operation of this product. Replace damaged or worn parts, and never use this product with a damaged part.
5. **Do NOT overload the product.** Weight capacity for evenly distributed weight.

Weight capacity on wood top	100 lb
Weight capacity per drawer	10 lb

6. **Do NOT put hot items directly on wood top to prevent damaging and discoloring wood surface.** Avoid placing any direct heat source on or near the product.
7. **Do NOT allow children to climb or play around the product.** Tipping may occur causing injury.

CARE AND MAINTENANCE

- Avoid harsh, abrasive cleaners, and other corrosive chemicals.
- Wood product can be cleaned with damp cloth and wiped dry immediately with dry cloth. If needed, wood furniture cleaner can be used.
- Keep dry but out of direct sunlight and avoid damp environments.
- Clean up any spills immediately to prevent stains from forming on wood surface.
- This product is designed for small size pet and indoor use only.
- Interior space is 15.5" W x 20" D x 17" H, suitable for a litter box of this size or smaller.

PRODUCT REGISTRATION

Thank you for purchasing a TRINITY 20" Litter Box Enclosure End Table w/ Drawer. In order to register your product and receive streamlined customer service, please fill out the following Product Registration Form and (1) fax the form to 310.347.4134 (2) complete the Product Registration Form online at www.trinityii.com or (3) scan and email the form to customerservice@trinityii.com. Include a copy of your original receipt with your submission.

First Name: _____ Last Name: _____

Address: _____

City: _____ State: _____ Zip Code: _____

Email Address: _____ Phone: _____

Product Model #: _____ Purchase Date: ____ / ____ / ____

Location of Purchase: _____

Please rate the importance of each feature (1=least important; 10=most important)

Quality ____ Price ____ Size/Capacity ____ Appearance ____ Other ____

How did you hear about our product?

- Magazine Ad Catalog Salesperson Word of Mouth
 Internet Store Display Other

Marital Status: Single Married

Household Income: Below \$50,000 \$50,000-\$150,000 \$150,000+

Education: High School College Graduate School

Primary Residence: Own Rent

Comments/Suggestions:

1 YEAR LIMITED WARRANTY

TRINITY 20" Litter Box Enclosure End Table w/ Drawer Model # TSKLWH-3403 / TSKLDG-3403

Trinity International Industries ("Trinity") warrants to the original consumer purchaser ("Purchaser") of the TRINITY 20" Litter Box Enclosure End Table w/ Drawer ("Product") that each Product shall be free from defects in workmanship and materials for a period of 1 year from the date of original purchase. Trinity's obligation under this warranty shall be limited to repair or replacement of, or adequate compensation for the Product which shall not be greater than the amount of the purchase price of the Product, at the option of Trinity, during the warranty period. All replaced parts and Products become the property of Trinity and must be returned to Trinity.

This warranty excludes normal wear and tear of the Product and its parts or components, and damage arising from any of the following: negligent use or misuse of the Product, use contrary to this User's Manual, or alteration by any one other than Trinity. The warranty period of 1 year shall not be extended or renewed by the repair or replacement of, or compensation for, the Product. Any warranty implied by applicable law is limited in duration to one year from the date of purchase and is subject to the same conditions and limitations as is provided for our express warranty.

Except as set forth herein, and to the extent of applicable there are no warranties on this Product either express or implied, and Trinity disclaims all warranties including, but not limited to, any implied warranties of merchantability, infringement or fitness for a particular purpose. No warranty or guarantee given by any person, firm, or corporation with respect to this product shall be binding on Trinity.

If your Product is defective or otherwise requires service or parts, please call TRINITY Customer Service toll-free at (800) 985-5506, between 5:00 a.m. and 5:00 p.m., PST. Please tell us which model you purchased, the date of the purchase, and the problem with your Product. A copy of your original purchase receipt must accompany your service request.

LIMITATION OF REMEDIES AND LIABILITY

Trinity (and its employees, officers, members, managers, affiliates and assigns) shall not be liable for any incidental, consequential, special, indirect, remote, special or punitive damages for breach of any warranty, express or implied, including, but not limited to, lost profits, lost savings, loss of anticipated benefits and attorneys' fees, which arise out of the purchase, use or inability to use the Product, whether arising out of contract, negligence, strict tort, product liability, or any other legal theory on which a claim is based. As noted above, to the extent damages are allowed by our express warranty or by applicable law, those damages may not exceed the purchase price paid for the Product. Without limiting the foregoing Purchaser assumes all risk and liability for loss, damage or injury to Purchaser and Purchaser's property and to others and their property arising out of the use, misuse, or inability to use this Product. This limited warranty shall not extend to anyone other than the original purchaser of this product, is nontransferable and states your exclusive remedy.

Some states do not allow the exclusion or limitation of incidental, consequential, special, or punitive damages, so the above limitation or exclusion may not apply to you. The above warranty gives you specific legal rights, and you may have other rights which vary from state to state.

CONTACT US

**QUESTIONS? NEED PARTS?
WE ARE HERE TO HELP!**

Please feel free to contact us. There are no questions too small, or any problems too big. We're committed to providing our customers with the highest level of service.

TRINITY Customer Service

TEL: 800.985.5506

FAX: 310.347.4134

EMAIL: customerservice@trinityii.com

**Monday through Friday
5:00 AM – 5:00 PM (PST)**

www.trinityii.com