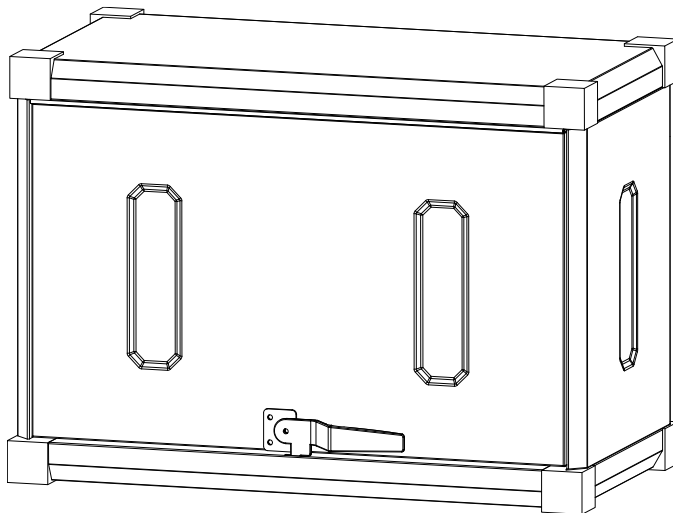




OWNER'S MANUAL



TRINITY PRO 28" WALL CABINET Model # TSNPBK-0609



Important / Important / Importante

FOR QUICK & EASY 3D ASSEMBLY INSTRUCTIONS

POUR DES DIRECTIVES D'ASSEMBLAGE 3D RAPIDES ET FACILES

PARA INSTRUCCIONES DE ENSAMBLAJE RÁPIDAS Y SENCILLAS EN 3D

BILT.[®]

Intelligent Instructions
Directives intelligentes
Instrucciones Inteligentes



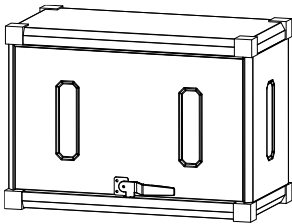
PARTS LIST

Your TRINITY PRO 28" Wall Cabinet should include the following parts. Please inspect box contents to ensure you have received all components.

If you are missing any parts, need assistance with assembly or have questions, please contact TRINITY Customer Service: 800.985.5506 or customerservice@trinityii.com. Parts can also be requested online via "Contact Us" section at www.trinityii.com.

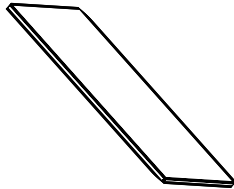
You will need a Phillips screwdriver for assembly which is not provided.

A



CABINET BODY (1)

B



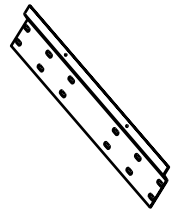
SHELF (1)

C



SHELF SUPPORT (4)

D



WALL BRACKET (1)

E



**SHORT SCREW
(2) + (1) extra**

F



LONG SCREW (4)

G



ANCHOR (4)

ASSEMBLY INSTRUCTIONS

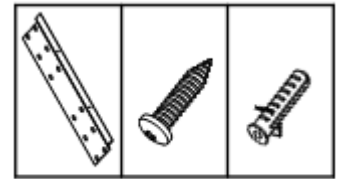
STEP 1

Position WALL BRACKET (D) on wall at desired height, making sure it is level.

Mark off mounting location on wall through oval holes on WALL BRACKET (D). If ANCHORS (G) are required, drill holes in marked locations. Insert ANCHOR (G) completely into each drilled hole.

Fasten LONG SCREWS (F) through oval holes on WALL BRACKET (D) into wall or anchors tightly with a Phillips screwdriver.

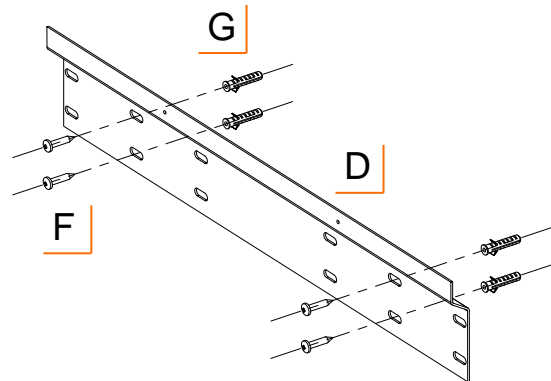
Note: Please consult a local contractor if you are unsure if your wall is able to bear the load of the wall cabinet.



D (1)

F (4)

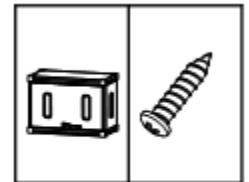
G (4)



STEP 2

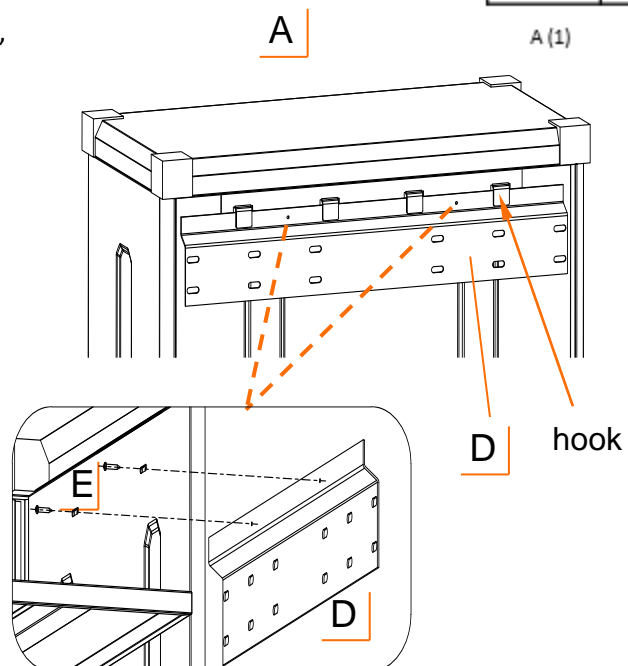
Lift CABINET BODY (A) and hang it carefully on WALL BRACKET (D) through four hooks on back side of cabinet. Two people are needed, DO NOT attempt this alone.

There are two slots on back side of cabinet. Align these two slots to two small round holes on WALL BRACKET (D). Insert SHORT SCREWS (E) through slots from inside of cabinet and fasten tightly to WALL BRACKET (D) with a Phillips screwdriver.



A (1)

E (2)



D

hook

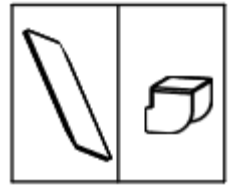
ASSEMBLY INSTRUCTIONS

STEP 3

Open cabinet door by lifting up door handle.

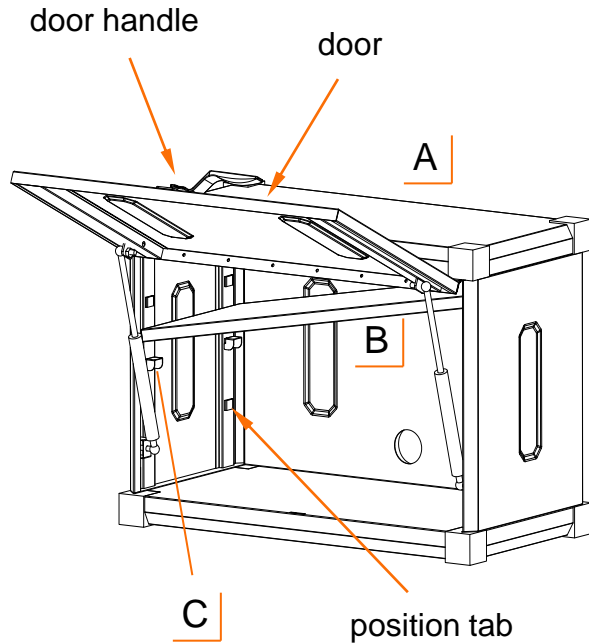
Attach SHELF SUPPORT (C) by hooking it over position tab at desired height. Make sure all four SHELF SUPPORTS (C) are at same level.

Tilt SHELF (B) diagonally to move it inside cabinet. Place SHELF (B) on top of all four SHELF SUPPORTS (C).



B (1)

C (4)



door handle

door

A

B

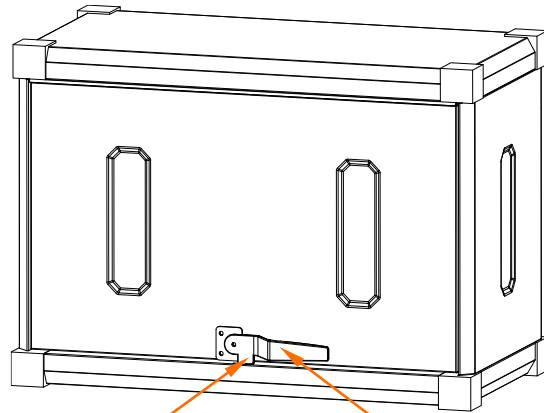
C

position tab

USAGE INSTRUCTIONS

OPEN AND CLOSE DOOR

Open door by lifting up door handle. Close door by pushing down door handle until it fit inside slot on bottom edge of cabinet body. The door will not stay closed if the handle is not in the slot.



Slot on bottom edge
of cabinet body

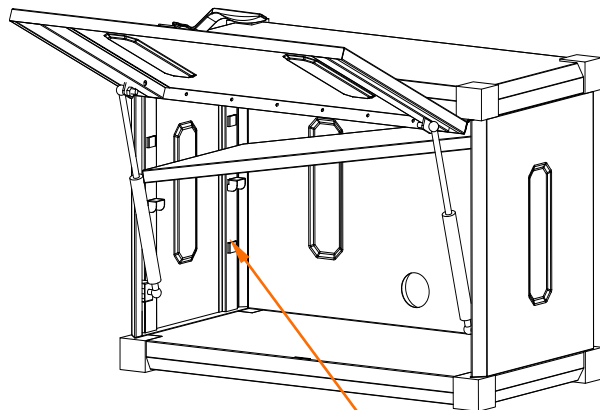
Door Handle

SHELF ADJUSTMENT

Ensure all items have been removed from shelf.

To adjust shelf height position, take shelf out of cabinet, re-attach shelf supports to position tabs at desired height.

Tilt shelf diagonally to move it inside cabinet. Place shelf on top of all shelf supports.

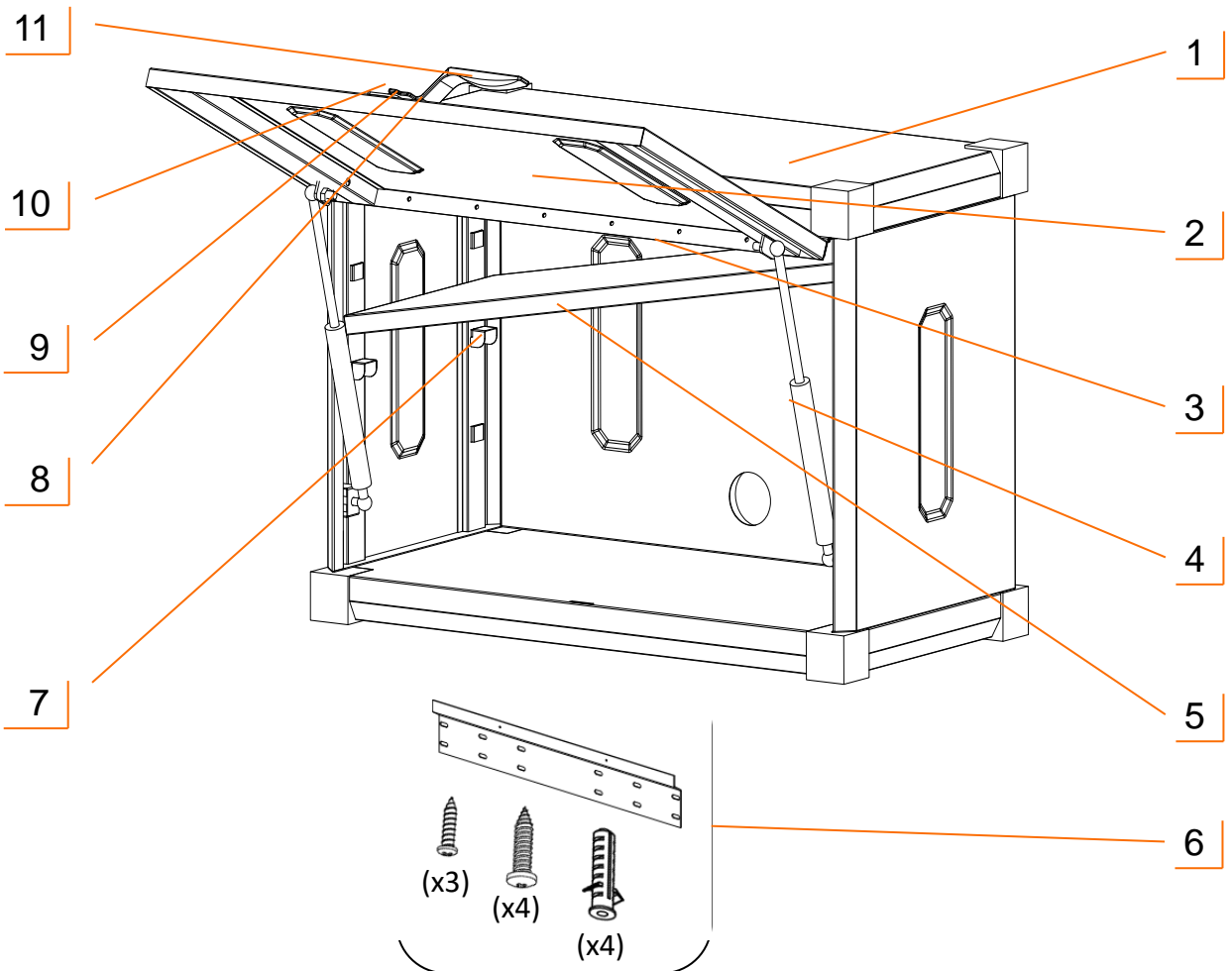


position tab

SERVICE PARTS LIST – TSNPBK-0609

TRINITY Customer Service provides the following replacement parts:

Part Number	Description	Part Number	Description
1) PBK-18-020-2814	Cabinet Body	7) XSV-02-017-0001	Shelf Support
2) PBK-08-013-2616	Door	8) XSV-01-027-0416	Handle Screw
3) XSV-09-009-0002	Door Hinge	9) XSV-01-027-0408	Handle Base Plate Screw
4) ZBK-09-014-0001	Gas Lift	10) XBS-02-030-0003	Handle Base Plate
5) PBK-03-073-1227	Shelf	11) XBS-05-025-0700	Handle
6) PBK-02-011-0011	Wall Mount Hardware Kit		



WARNINGS

1. **Read and understand all instructions.** Failure to follow all instructions may result in injury and/or damage.
2. **The warnings, cautions, and instructions discussed in this manual cannot cover all possible conditions or situations that may occur.** The user must always be aware of their environment and ensure that they use the product in a safe and responsible manner.
3. **Do NOT modify the product in any way.** Unauthorized modification may impair the function and/or safety of the product, and may affect the life of the product. Any modifications will void warranty.
4. **Check for damaged parts.** Before using this product, carefully check that all parts are in good condition, and that the product will operate properly and perform its intended function. Check for damaged parts and any other conditions that may affect the operation of this product. Replace damaged or worn parts, and never use this product with a damaged part.
5. **Do NOT overload the product.**

Weight capacity per shelf (evenly distributed)	100 lb
Total weight capacity of cabinet (evenly distributed)	300 lb

6. **Do NOT hang or use cabinet unless your wall is able to bear the cabinet load.** Consult a local contractor if you are unsure if your wall is able to bear the load of the wall cabinet.
7. **Do NOT use nails to mount the cabinet.**
8. **Do NOT use wall cabinet unless all screws are securely tightened.** Check regularly to ensure screws have not loosened during use of cabinet.
9. **Do NOT hang on the cabinet.**
10. **Do NOT let children play under the cabinet.**
11. **Keep hands and other items away from gas lift when closing the door.** Hands may be pinched or items damaged.

CARE AND MAINTENANCE

- Avoid harsh, abrasive cleaners, and other corrosive chemicals.
- Do not use scouring pad for cleaning.
- This item is not certified for outdoor use.

PRODUCT REGISTRATION

Thank you for purchasing a TRINITY PRO 28" Wall Cabinet. In order to register your product and receive streamlined customer service, please fill out the following Product Registration Form and (1) fax the form to 310.347.4134 (2) complete the Product Registration Form online at www.trinityii.com or (3) scan and email the form to customerservice@trinityii.com. Include a copy of your original receipt with your submission.

First Name: _____ Last Name: _____

Address: _____

City: _____ State: _____ Zip Code: _____

Email Address: _____ Phone: _____

Product Model #: TSNPBK-0609 Purchase Date: ____ / ____ / ____

Location of Purchase: _____

Please rate the importance of each feature (1=least important; 10=most important)

Quality ____ Price ____ Size/Capacity ____ Appearance ____ Other ____

How did you hear about our product?

- Magazine Ad Catalog Salesperson Word of Mouth
 Internet Store Display Other

Marital Status: Single Married

Household Income: Below \$50,000 \$50,000-\$150,000 \$150,000+

Education: High School College Graduate School

Primary Residence: Own Rent

Comments/Suggestions:



1 YEAR LIMITED WARRANTY

TRINITY PRO 28" Wall Cabinet Model # TSNPBK-0609

Trinity International Industries ("Trinity") warrants to the original consumer purchaser ("Purchaser") of the TRINITY PRO 28" Wall Cabinet ("Product") that each Product shall be free from defects in workmanship and materials for a period of 1 year from the date of original purchase. Trinity's obligation under this warranty shall be limited to repair or replacement of, or adequate compensation for the Product which shall not be greater than the amount of the purchase price of the Product, at the option of Trinity, during the warranty period. All replaced parts and Products become the property of Trinity and must be returned to Trinity.

This warranty excludes normal wear and tear of the Product and its parts or components, and damage arising from any of the following: negligent use or misuse of the Product, use contrary to this User's Manual, or alteration by any one other than Trinity. The warranty period of 1 year shall not be extended or renewed by the repair or replacement of, or compensation for, the Product. Any warranty implied by applicable law is limited in duration to one year from the date of purchase and is subject to the same conditions and limitations as is provided for our express warranty.

Except as set forth herein, and to the extent of applicable there are no warranties on this Product either express or implied, and Trinity disclaims all warranties including, but not limited to, any implied warranties of merchantability, infringement or fitness for a particular purpose. No warranty or guarantee given by any person, firm, or corporation with respect to this product shall be binding on Trinity.

If your Product is defective or otherwise requires service or parts, please call TRINITY Customer Service toll-free at (800) 985-5506, between 5:00 a.m. and 5:00 p.m., PST. Please tell us which model you purchased, the date of the purchase, and the problem with your Product. A copy of your original purchase receipt must accompany your service request.

LIMITATION OF REMEDIES AND LIABILITY

Trinity (and its employees, officers, members, managers, affiliates and assigns) shall not be liable for any incidental, consequential, special, indirect, remote, special or punitive damages for breach of any warranty, express or implied, including, but not limited to, lost profits, lost savings, loss of anticipated benefits and attorneys' fees, which arise out of the purchase, use or inability to use the Product, whether arising out of contract, negligence, strict tort, product liability, or any other legal theory on which a claim is based. As noted above, to the extent damages are allowed by our express warranty or by applicable law, those damages may not exceed the purchase price paid for the Product. Without limiting the foregoing Purchaser assumes all risk and liability for loss, damage or injury to Purchaser and Purchaser's property and to others and their property arising out of the use, misuse, or inability to use this Product. This limited warranty shall not extend to anyone other than the original purchaser of this product, is nontransferable and states your exclusive remedy.

Some states do not allow the exclusion or limitation of incidental, consequential, special, or punitive damages, so the above limitation or exclusion may not apply to you. The above warranty gives you specific legal rights, and you may have other rights which vary from state to state.

CONTACT US

**QUESTIONS? NEED PARTS?
WE ARE HERE TO HELP!**

Please feel free to contact us. There are no questions too small, or any problems too big. We're committed to providing our customers with the highest level of service.

TRINITY Customer Service

TEL: 800.985.5506

FAX: 310.347.4134

EMAIL: customerservice@trinityii.com

**Monday through Friday
5:00 AM – 5:00 PM (PST)**

www.trinityii.com