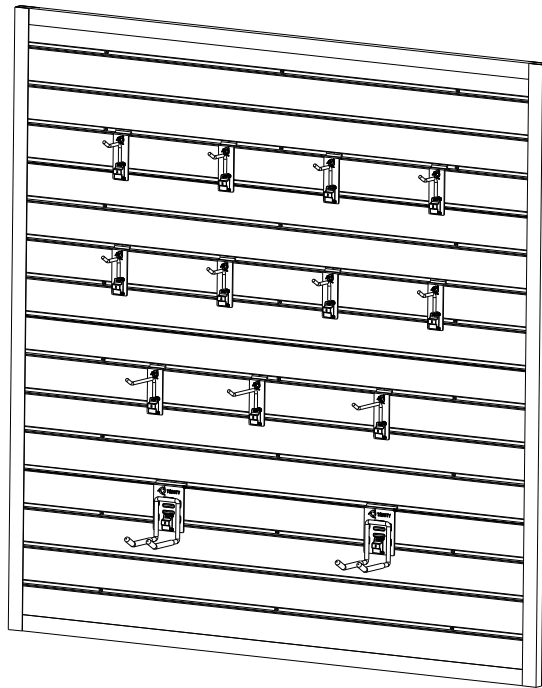




## OWNER'S MANUAL



### 16 Sq Ft Modular Slatwall 13-Piece Accessory Starter Set Model # TUP-0710

Important / Important / Importante

FOR 3D ASSEMBLY INSTRUCTIONS  
POUR DES DIRECTIVES D'ASSEMBLAGE 3D  
PARA INSTRUCCIONES DE ENSAMBLAJE EN 3D



# BILT.®

Intelligent Instructions  
Directives intelligentes  
Instrucciones Inteligentes



DOWNLOAD THE FREE APP | TÉLÉCHARGER L'APPLICATION GRATUITE | DESCARGUE LA APLICACIÓN GRATUITA

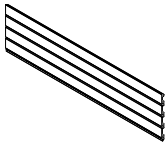
# PARTS LIST

Your TRINITY 16 Sq Ft Modular Slatwall 13-Piece Accessory Starter Set should include the following parts. Please inspect box contents to ensure you have received all components.

If you are missing any parts, need assistance with assembly or have questions, please contact TRINITY Customer Service: 800.985.5506 or [customerservice@trinityii.com](mailto:customerservice@trinityii.com). Parts can also be requested online via "Contact Us" section at [www.trinityii.com](http://www.trinityii.com).

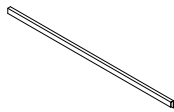
You will need drill, level, and stud finder for assembly. These are NOT included.

**A**



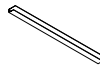
**SLATWALL PANEL**  
(4)

**B**



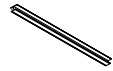
**LONG EDGE TRIM**  
(4)

**C**



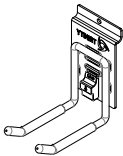
**SHORT EDGE TRIM**  
(2)

**D**



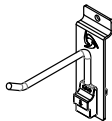
**SEAM JOINT TRIM**  
(1)  
"H" shaped

**E**



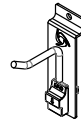
**4" DOUBLE HOOK**  
(2)

**F**



**4" SINGLE HOOK**  
(3)

**G**



**2" SINGLE HOOK**  
(8)

**H**



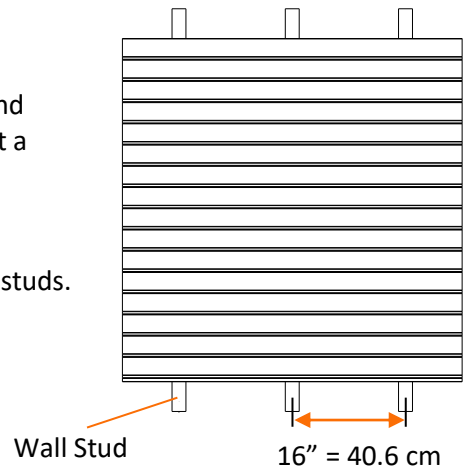
**SCREW**  
(32)

## BEFORE INSTALLATION

Two people are recommended for ease of assembly. Before you begin, remember to always work safely, follow tool manufacturers safety instructions.

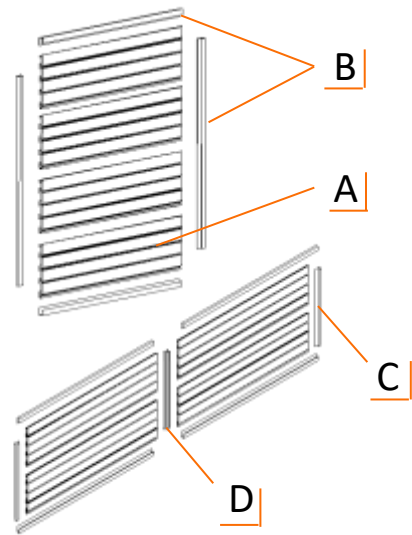
### Notes:

- TRINITY slatwall panels are designed to install over studs and properly studded drywall. For other surfaces please consult a local professional.
- To support claimed weight capacity:
  - Wall studs must be maximum 16" apart.
  - Each slatwall panel must be mounted on at least 3 studs.



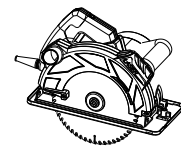
## SLATWALL CONFIGURATION

- SLATWALL PANELS (A) can be installed vertically from floor to ceiling or horizontally from left to right.
- EDGE TRIM (B or C) can be used to finish edges of panels.
- SEAM JOINT TRIM (D) can be used to join panels side by side.
- Plan out your slatwall layout before proceeding.
- If your configuration requires cutting panels or trims, follow below instructions.



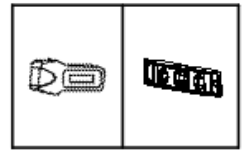
## CUTTING SLATWALL PANEL AND TRIM

SLATWALL PANEL (A) and TRIM (B + C + D) can be cut easily to size you want, using any traditional wood working tools. Cleanest cuts can be achieved with a 32 tooth, or larger carbide blade, or blades used to cut medium density fiber board and laminates.



Circular Saw

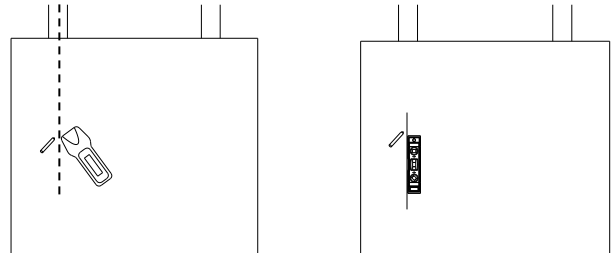
# SLATWALL INSTALLATION



Stud Finder    Level

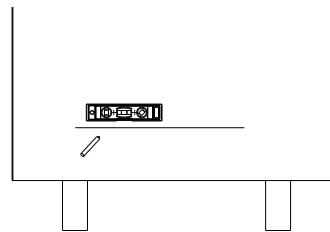
## STEP 1

Pick location and coverage you want prior to installing your slatwall panels. If studs are covered by drywall, use a stud finder to mark locations of studs. Using a stud finder, locate all studs between start and finish, and mark along their length with a level. You will need to screw each panel into each stud.



## STEP 2

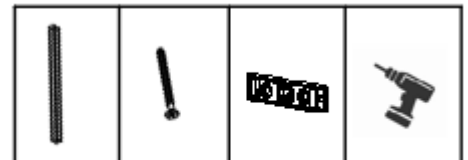
Make a level line at bottom of your desired location for bottom slatwall.



Level

## STEP 3

Install your bottom LONG EDGE TRIM (B) at desired starting height (wider side installs against wall), level and put (1) SCREW (H) into each stud.

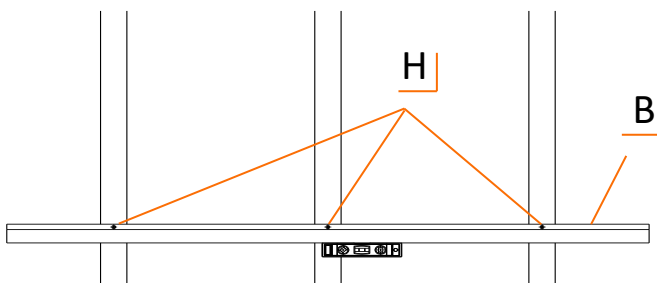


B (1)

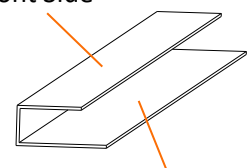
H (3)

Level

Drill



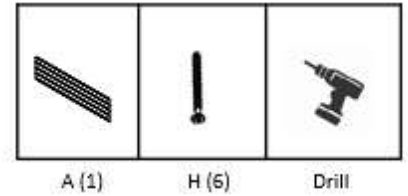
Front Side



Wall Side

# SLATWALL INSTALLATION

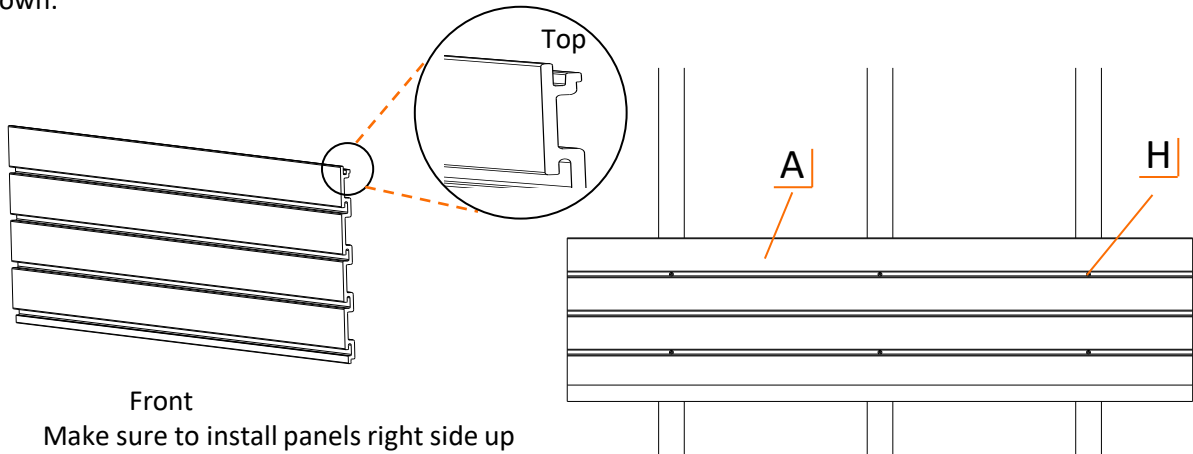
## STEP 4



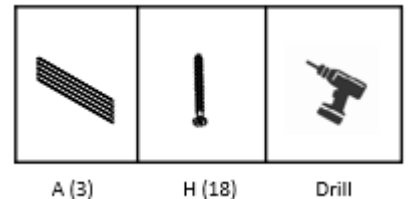
Make sure SLATWALL PANEL (A) has correct side up.

Place first SLATWALL PANEL (A) into bottom EDGE TRIM (B) and confirm slatwall is level and plumb.

Secure SLATWALL PANEL (A) to wall by driving (6) SCREWS (H) through slots on front face of panel, directly into center of every wall stud as shown.



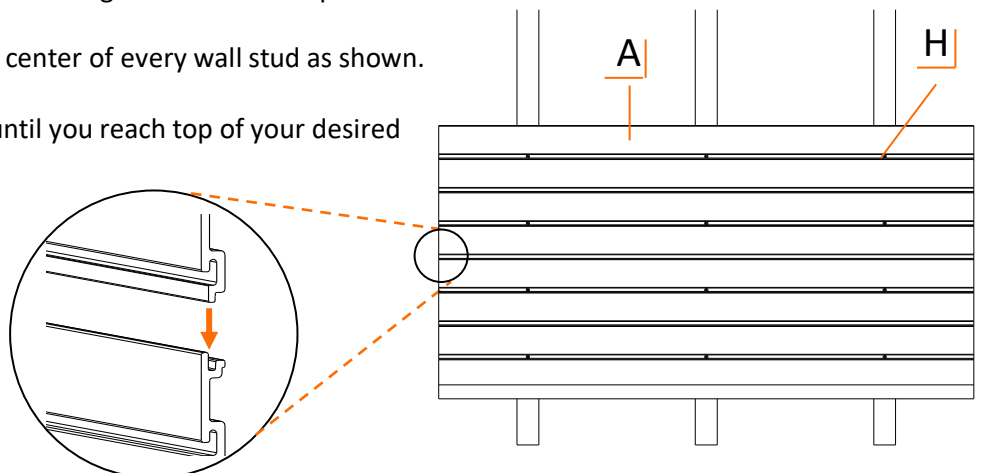
## STEP 5



Place second SLATWALL PANEL (A) on top of first panel. Make sure top panel properly overlaps and nests over bottom panel. Push down on top panel to ensure it is properly seated. Confirm that panel is level and aligned with bottom panel.

Screw panel in place into center of every wall stud as shown.

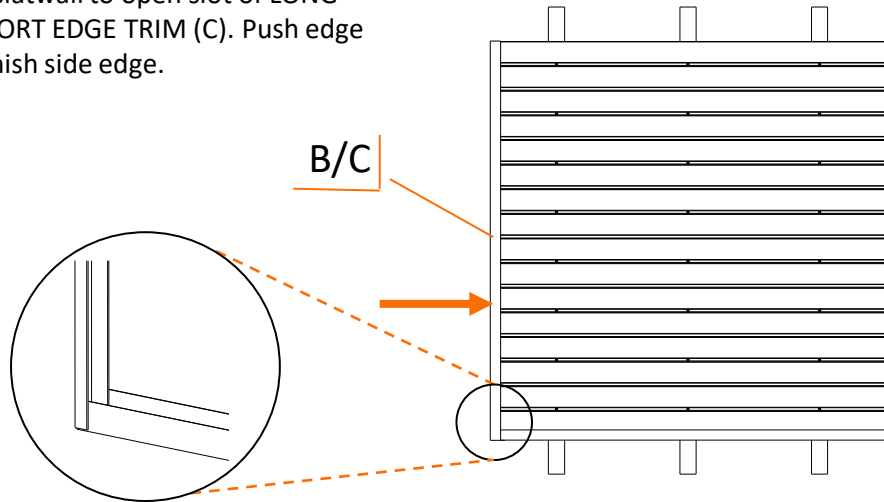
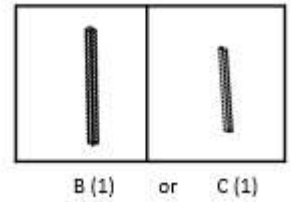
Continue adding panels until you reach top of your desired height.



# SLATWALL INSTALLATION

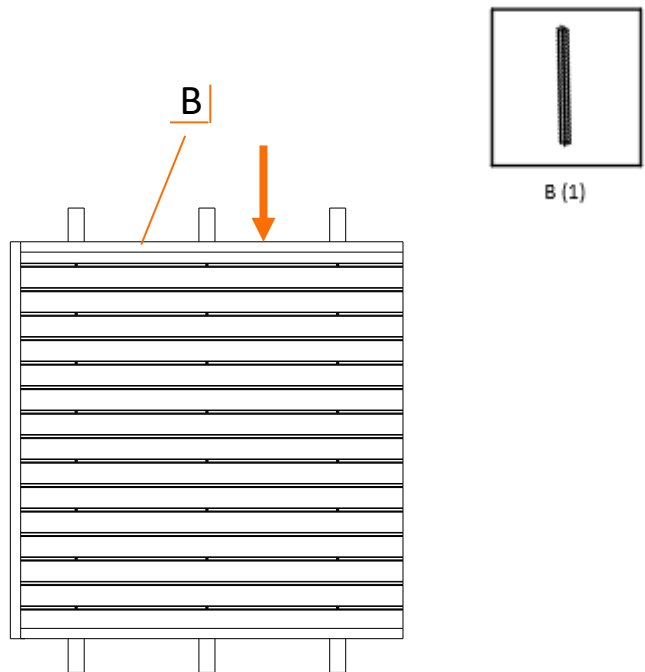
## STEP 6

Finish side edge by overlapping your vertical LONG EDGE TRIM (B) or SHORT EDGE TRIM (C) with your horizontal edge trim at bottom (wider side against wall). Insert edge of slatwall to open slot of LONG EDGE TRIM (B) or SHORT EDGE TRIM (C). Push edge trim onto panel to finish side edge.



## STEP 7

To finish top edge, place LONG EDGE TRIM (B) on top of slatwall by inserting edge of slatwall to open slot of LONG EDGE TRIM (B). Push down on LONG EDGE TRIM (B) to cap edge of top panel.



# SLATWALL INSTALLATION

## STEP 8

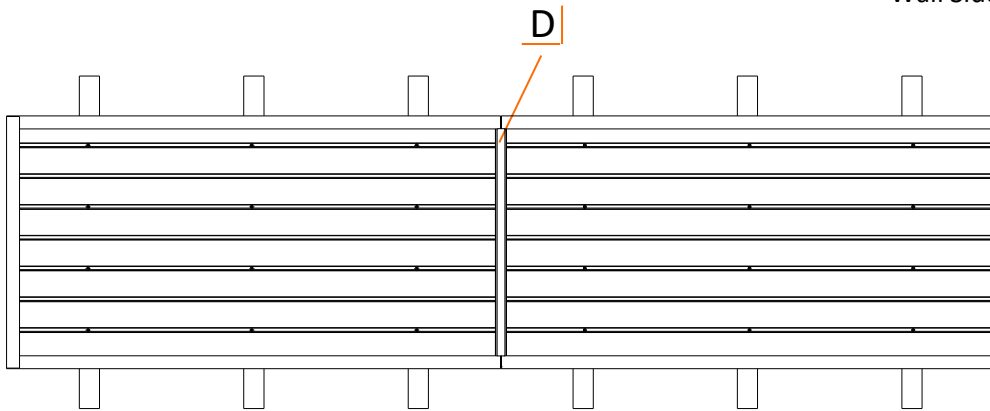
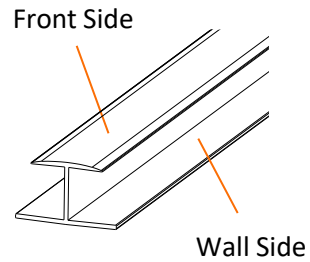
If you are adding another column of panels, use SEAM JOINT TRIM (D) to join next column. If you are done, skip to STEP 9.

Cut SEAM JOINT TRIM (D) to fit between top and bottom trims. Keeping flat side of SEAM JOINT TRIM (D) against wall, push opening onto edge of panel.

Repeat STEP 3, 4, 5 and 7 to install another column of panels.

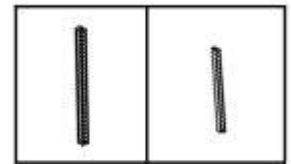


D (1)

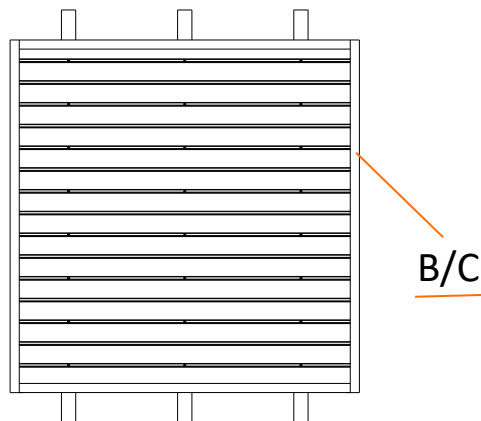


## STEP 9

Finish last side edge by inserting edge of slatwall to open slot of LONG EDGE TRIM (B) or SHORT EDGE TRIM (C).



B (1) or C (1)



# HOOK USAGE



E (2)

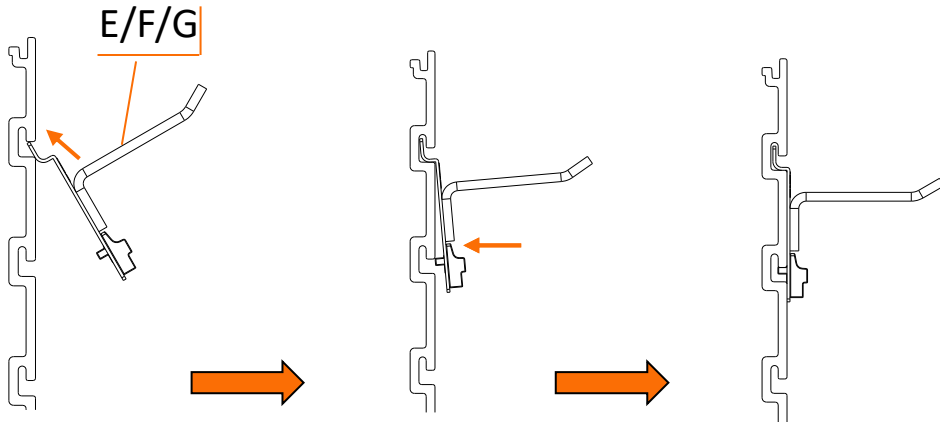
F (3)

G (8)

## HOOK INSTALLATION

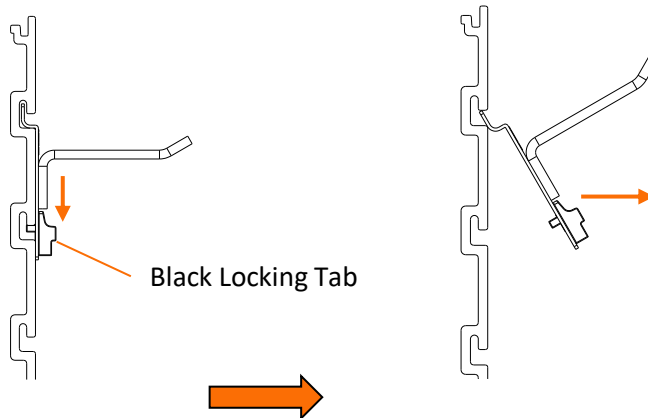
Place each HOOK (E/F/G) onto slatwall by inserting top edge of hook into slot of slatwall and then pushing bottom locking portion in until you hear a click.

Make sure HOOK (E/F/G) is secured to slatwall tightly before hanging anything on it.



## HOOK REMOVAL

You can remove HOOK (E/F/G) from slatwall by first pressing down black locking tab on hook then pulling out bottom of hook before disengaging entire HOOK (E/F/G).

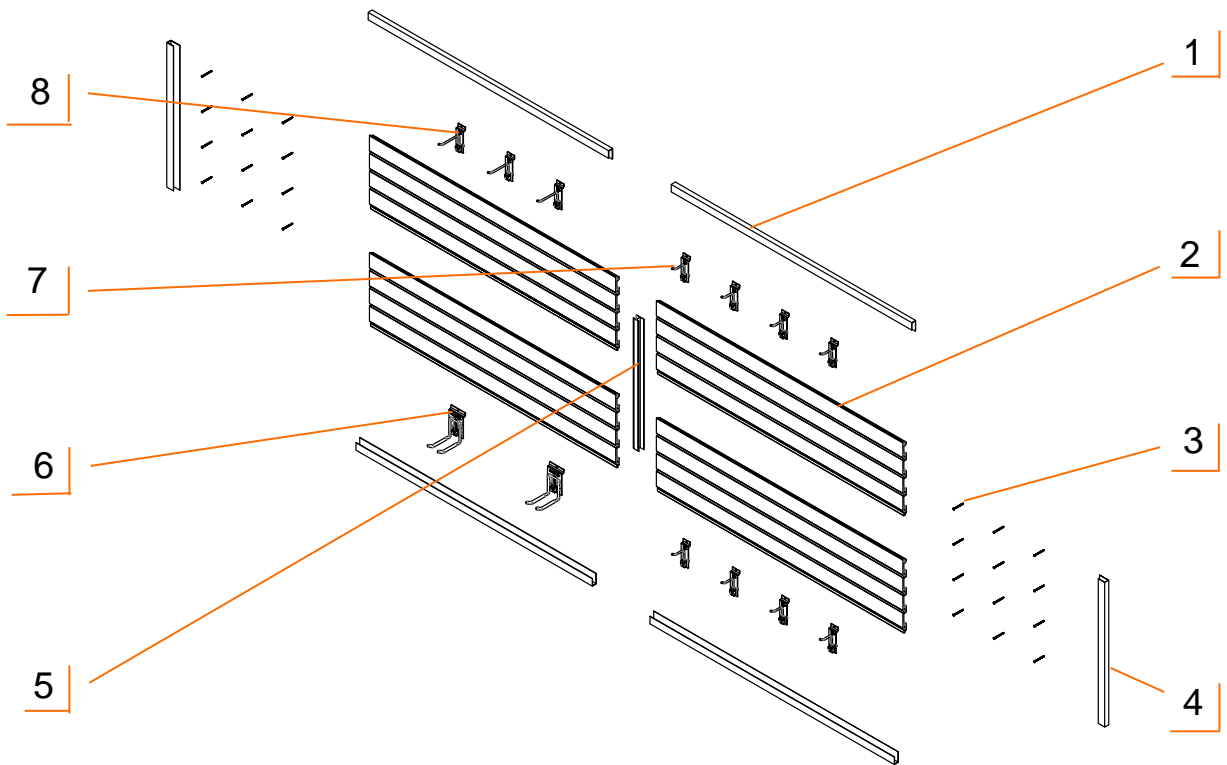




# SERVICE PARTS LIST – TUP-0710

TRINITY Customer Service provides the following replacement parts:

#	Part Number	Description	#	Part Number	Description
1)	XWH-02-071-0001	Long edge trim	5)	XWH-02-072-0001	Seam joint trim
2)	XWH-20-013-4812	Slatwall Panel	6)	PGR-02-073-0003	4" Double hook
3)	ZSV-01-052-0450	Screw	7)	PGR-02-073-0001	2" Single hook
4)	XWH-02-071-0002	Short edge trim	8)	PGR-02-073-0002	4" Single hook



## WARNINGS

- 1. Read and understand all instructions.** Failure to follow all instructions may result in injury and / or damage.
- 2. The warnings, cautions, and instructions discussed in this manual cannot cover all possible conditions or situations that may occur.** The user must always be aware of the environment and ensure to use the product in a safe and responsible manner.
- 3. Do NOT modify the product in any way.** Unauthorized modification may impair the function and / or safety of the product, and may affect the life of the product. Any modifications will void product warranty.
- 4. Check for damaged parts.** Before using this product, carefully check that all parts are in good condition, and that the product will operate properly and perform its intended function. Check for damaged parts and any other conditions that may affect the operation of this product. Replace damaged or worn parts, and never use this product with a damaged part.
- 5. Slatwall must be installed onto wall studs. It is the responsibility of the installer to ensure that wall mounting surface and structure are sufficient in strength and capacity to support slatwall weight and its contents.** Failure to observe these conditions may result in damage, injury or death.
- 6. Installation of slatwall panel should be in accordance with all local codes and ordinances.**
- 7. Do NOT overload the product. Doing so could result in property damage, serious injury or death.**

Weight capacity per single hook	<b>20 lb</b>
Weight capacity per double hook	<b>50 lb</b>
Weight capacity per square foot of slatwall panel (properly mounted with evenly distributed weight)	<b>75 lb</b>

- 8. Do NOT allow children to hang or pull hooks that have been inserted onto the slatwall.** Damage may occur causing injury.
- 9. Do NOT place any direct heat source on or near the slatwall.**

---

## CARE AND MAINTENANCE

- Avoid harsh, abrasive cleaners, and other corrosive chemicals.
- Avoid prolonged exposure to direct sunlight to prevent discoloration and / or deformation.
- Keep clean with water and mild detergent. Do not use scouring pad for cleaning.
- The product is designed for indoor use.
- Check regularly to ensure screws have not loosened during use of slatwall.
- Check regularly to ensure hooks are secure before each use.

# PRODUCT REGISTRATION

Thank you for purchasing a TRINITY 16 Sq Ft Modular Slatwall 13-Piece Accessory Starter Set. In order to register your product and receive streamlined customer service, please fill out the following Product Registration Form and (1) fax the form to 310.347.4134 (2) complete the Product Registration Form online at [www.trinityii.com](http://www.trinityii.com) or (3) scan and email the form to [customerservice@trinityii.com](mailto:customerservice@trinityii.com). Include a copy of your original receipt with your submission.

First Name: \_\_\_\_\_ Last Name: \_\_\_\_\_

Address: \_\_\_\_\_

City: \_\_\_\_\_ State: \_\_\_\_\_ Zip Code: \_\_\_\_\_

Email Address: \_\_\_\_\_ Phone: \_\_\_\_\_

Product Model #: \_\_\_\_\_ Purchase Date: \_\_\_\_ / \_\_\_\_ / \_\_\_\_

Location of Purchase: \_\_\_\_\_

Please rate the importance of each feature (1=least important; 10=most important)

Quality \_\_\_\_ Price \_\_\_\_ Size/Capacity \_\_\_\_ Appearance \_\_\_\_ Other \_\_\_\_

How did you hear about our product?

- Magazine Ad     Catalog     Salesperson     Word of Mouth  
 Internet     Store Display     Other

Marital Status:                       Single                       Married

Household Income:                 Below \$50,000     \$50,000-\$150,000     \$150,000+

Education:                           High School     College     Graduate School

Primary Residence:                 Own                       Rent

Comments/Suggestions:



# 1 YEAR LIMITED WARRANTY

## 16 Sq Ft Modular Slatwall 13-Piece Accessory Starter Set Model # TUP-0710

Trinity International Industries (“Trinity”) warrants to the original consumer purchaser (“Purchaser”) of the TRINITY 16 Sq Ft Modular Slatwall 13-Piece Accessory Starter Set (“Product”) that each Product shall be free from defects in workmanship and materials for a period of 1 year from the date of original purchase. Trinity’s obligation under this warranty shall be limited to repair or replacement of, or adequate compensation for the Product which shall not be greater than the amount of the purchase price of the Product, at the option of Trinity, during the warranty period. All replaced parts and Products become the property of Trinity and must be returned to Trinity.

This warranty excludes normal wear and tear of the Product and its parts or components, and damage arising from any of the following: negligent use or misuse of the Product, use contrary to this User’s Manual, or alteration by any one other than Trinity. The warranty period of 1 year shall not be extended or renewed by the repair or replacement of, or compensation for, the Product. Any warranty implied by applicable law is limited in duration to one year from the date of purchase and is subject to the same conditions and limitations as is provided for our express warranty.

Except as set forth herein, and to the extent of applicable there are no warranties on this Product either express or implied, and Trinity disclaims all warranties including, but not limited to, any implied warranties of merchantability, infringement or fitness for a particular purpose. No warranty or guarantee given by any person, firm, or corporation with respect to this product shall be binding on Trinity.

If your Product is defective or otherwise requires service or parts, please call TRINITY Customer Service toll-free at (800) 985-5506, between 5:00 a.m. and 5:00 p.m., PST. Please tell us which model you purchased, the date of the purchase, and the problem with your Product. A copy of your original purchase receipt must accompany your service request.

### LIMITATION OF REMEDIES AND LIABILITY

Trinity (and its employees, officers, members, managers, affiliates and assigns) shall not be liable for any incidental, consequential, special, indirect, remote, special or punitive damages for breach of any warranty, express or implied, including, but not limited to, lost profits, lost savings, loss of anticipated benefits and attorneys’ fees, which arise out of the purchase, use or inability to use the Product, whether arising out of contract, negligence, strict tort, product liability, or any other legal theory on which a claim is based. As noted above, to the extent damages are allowed by our express warranty or by applicable law, those damages may not exceed the purchase price paid for the Product. Without limiting the foregoing Purchaser assumes all risk and liability for loss, damage or injury to Purchaser and Purchaser’s property and to others and their property arising out of the use, misuse, or inability to use this Product. This limited warranty shall not extend to anyone other than the original purchaser of this product, is nontransferable and states your exclusive remedy.

Some states do not allow the exclusion or limitation of incidental, consequential, special, or punitive damages, so the above limitation or exclusion may not apply to you. The above warranty gives you specific legal rights, and you may have other rights which vary from state to state.

---

## CONTACT US

**QUESTIONS? NEED PARTS?  
WE ARE HERE TO HELP!**

Please feel free to contact us. There are no questions too small, or any problems too big. We're committed to providing our customers with the highest level of service.

### **TRINITY Customer Service**

**TEL: 800.985.5506**

**FAX: 310.347.4134**

**EMAIL: [customerservice@trinityii.com](mailto:customerservice@trinityii.com)**

**Monday through Friday  
5:00 AM – 5:00 PM (PST)**

**[www.trinityii.com](http://www.trinityii.com)**