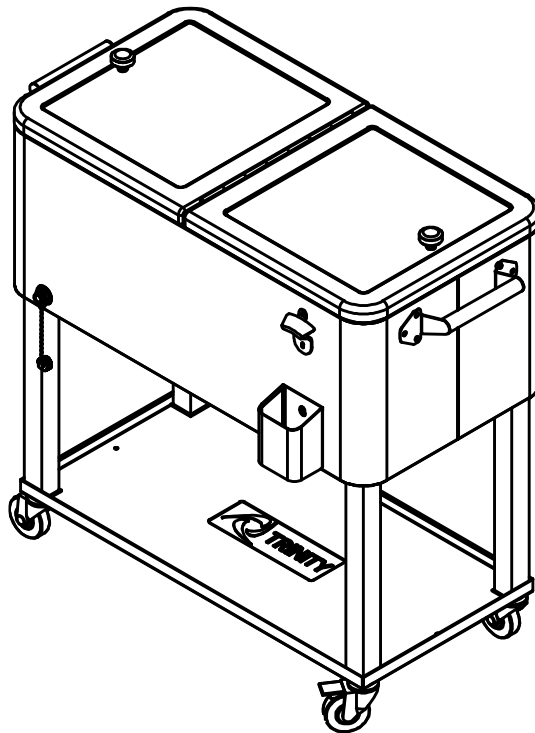




## OWNER'S MANUAL



**TRINITY 100 QT STAINLESS STEEL COOLER  
W/ SHELF & COVER  
Model # TXK-0808**



**Important / Important / Importante**

FOR QUICK & EASY 3D ASSEMBLY INSTRUCTIONS

POUR DES DIRECTIVES D'ASSEMBLAGE 3D RAPIDES ET FACILES

PARA INSTRUCCIONES DE ENSAMBLAJE RÁPIDAS Y SENCILLAS EN 3D

**BILT.**<sup>®</sup>

Intelligent Instructions  
Directives intelligentes  
Instrucciones Inteligentes



DOWNLOAD THE FREE APP | TÉLÉCHARGER L'APPLICATION GRATUITE | DESCARGUE LA APLICACIÓN GRATUITA

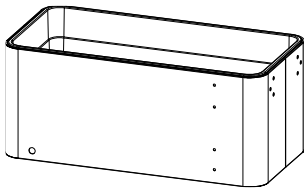
# PARTS LIST

Your TRINITY Stainless Steel Cooler w/ Shelf & Cover should include the following parts. Please inspect box contents to ensure you have received all components.

If you are missing any parts, need assistance with assembly or have questions, please contact TRINITY Customer Service: 800.985.5506 or [customerservice@trinityii.com](mailto:customerservice@trinityii.com). Parts can also be requested online via "Contact Us" section at [www.trinityii.com](http://www.trinityii.com).

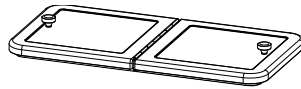
You will need a Phillips screwdriver for assembly which is not provided.

**A**



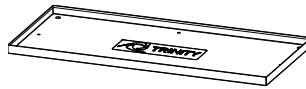
**TUB (1)**

**B**



**LID (1)**

**C**



**SHELF (1)**

**D**



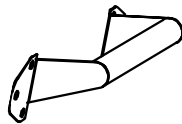
**LEG (4)**

**E**



**SMALL  
SCREW (10)**

**F**



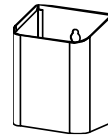
**HANDLE (2)**

**G**



**LARGE  
SCREW (12)**

**H**



**CAP CATCHER (1)**

**I**



**BOTTLE  
OPENER (1)**

**J**



**DRAIN PLUG (1)**

**K**



**LOCKING  
CASTER (2)**

**L**



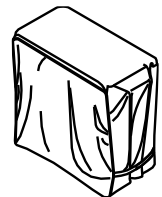
**NON-LOCKING  
CASTER (2)**

**M**



**WRENCH (1)**

**N**

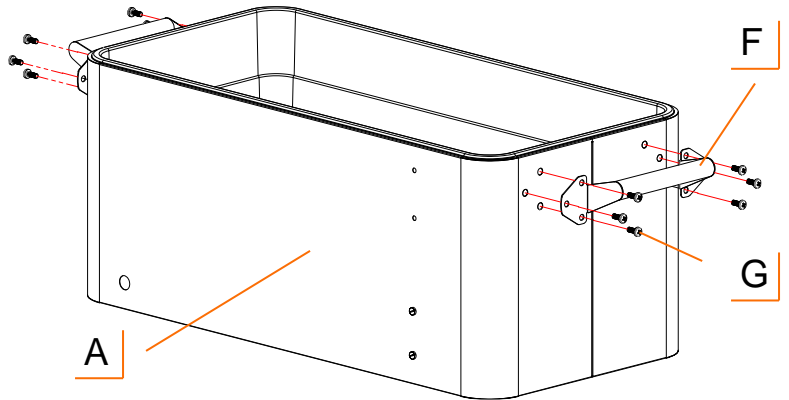
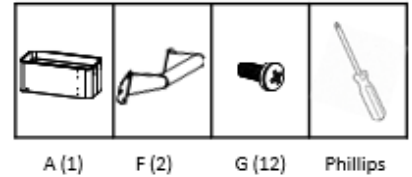


**COVER (1)**

# ASSEMBLY INSTRUCTIONS

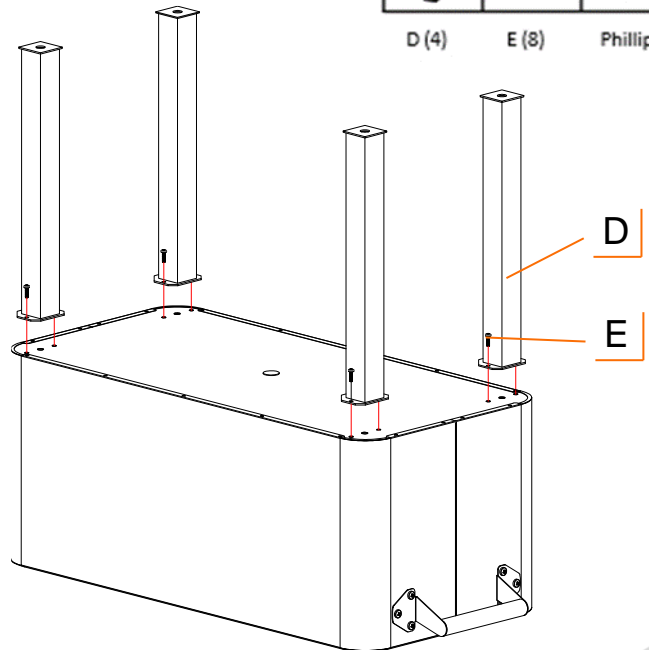
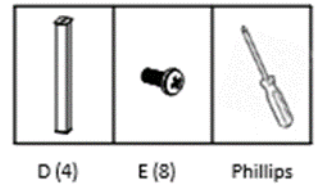
## STEP 1

Align HANDLES (F) on each side of TUB (A). Attach HANDLES (F) with LARGE SCREWS (G). Make sure to tighten securely. HANDLES (F) can be attached either angled up or down based on your preference.



## STEP 2

Turn TUB (A) upside down, and align LEGS (D) with holes on bottom of TUB (A). Attach LEGS (D) with SMALL SCREWS (E). Make sure to tighten securely.



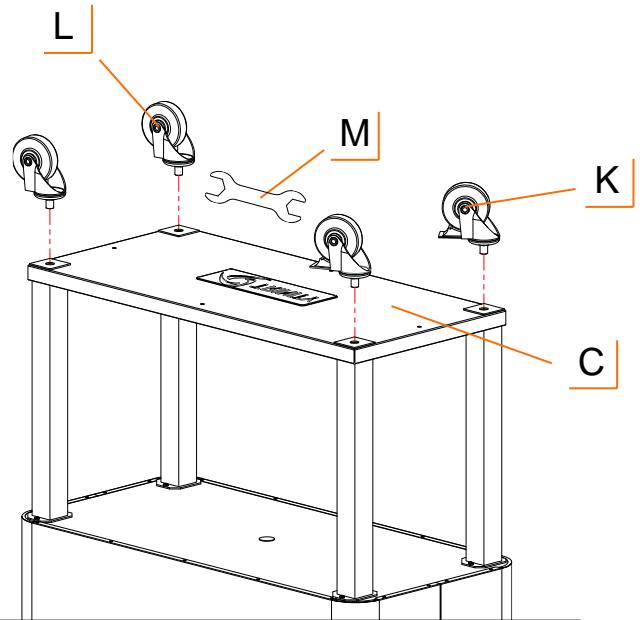
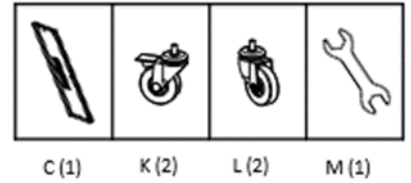
# ASSEMBLY INSTRUCTIONS

## STEP 3

Align holes in SHELF (C) with bottom of LEG (D), making sure SHELF Lip is facing TUB (A). Screw LOCKING CASTER (K) into bottom of LEG (D), securing SHELF (C) in between. Please make sure LOCKING CASTERS (K) are installed on the same side. Screw NON-LOCKING CASTER (L) into bottom of LEG (D) securing SHELF (C) in-between. Repeat for the other NON-LOCKING CASTER (L).

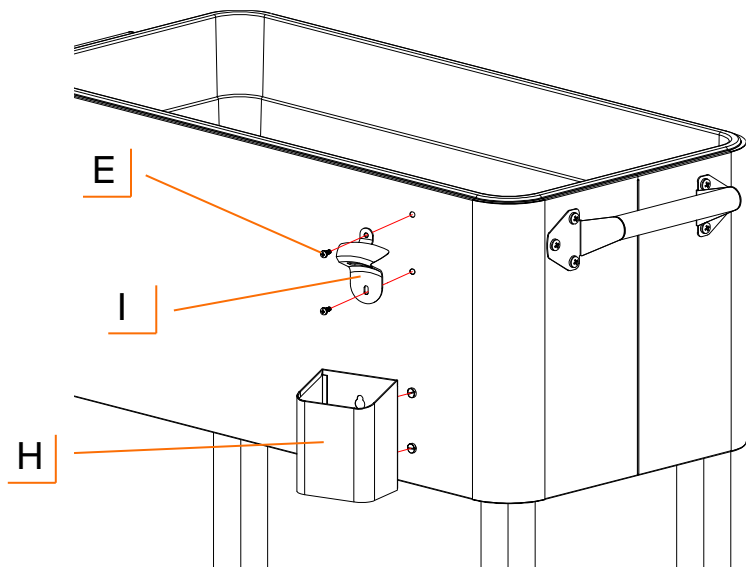
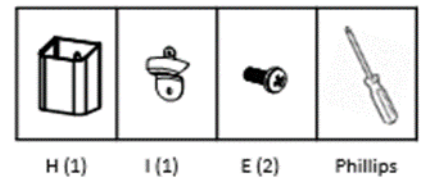
Tighten all CASTERS (K, L) with provided WRENCH (M).

**Use provided caster wrench to tighten completely. Failure to do as instructed could result in caster stem breaking.**



## STEP 4

Turn Cooler right-side up. Attach CAP CATCHER (H) to TUB (A) by sliding it downward, over metal notch. Attach BOTTLE OPENER (I) to TUB (A) using SMALL SCREWS (E).

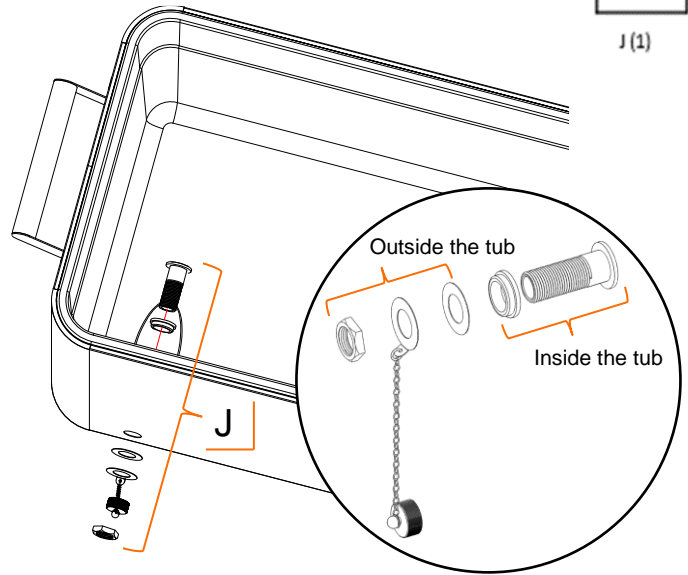


# ASSEMBLY INSTRUCTIONS

## STEP 5

Unscrew DRAIN PLUG (J) assembly. Insert DRAIN PLUG (J) through opening in TUB (A) from the inside. Make sure rubber seal is on the ***inside*** of TUB (A).

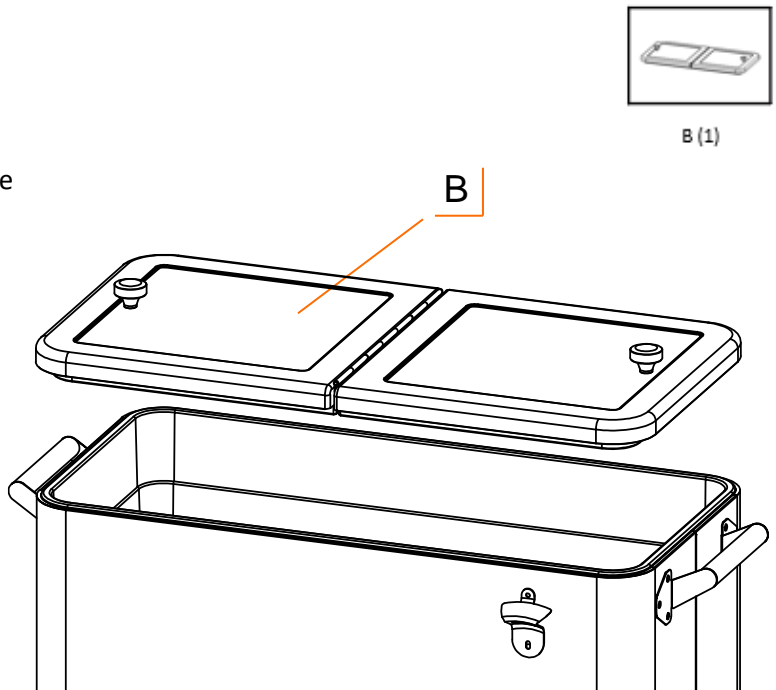
From the outside, slide washer on first, then the second washer with chain attached, and then screw on the nut. Be sure not to overtighten. Once DRAIN PLUG (J) is in place, screw on the cap.



## STEP 6

Set LID (B) on top of TUB (A).

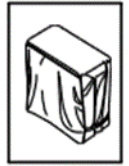
Clean inside of Cooler thoroughly before use.



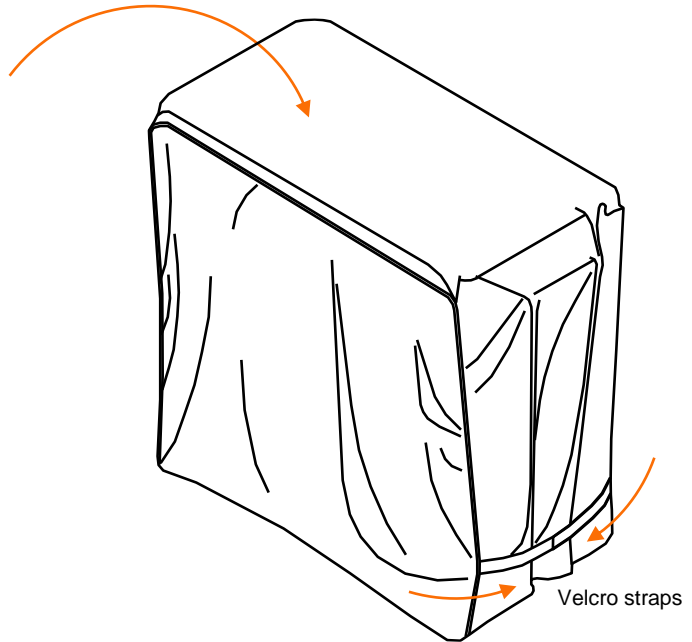
# ASSEMBLY INSTRUCTIONS

## STEP 7

Unfold COVER (N) and put it onto assembled cooler. Pull Velcro straps to secure COVER (N).



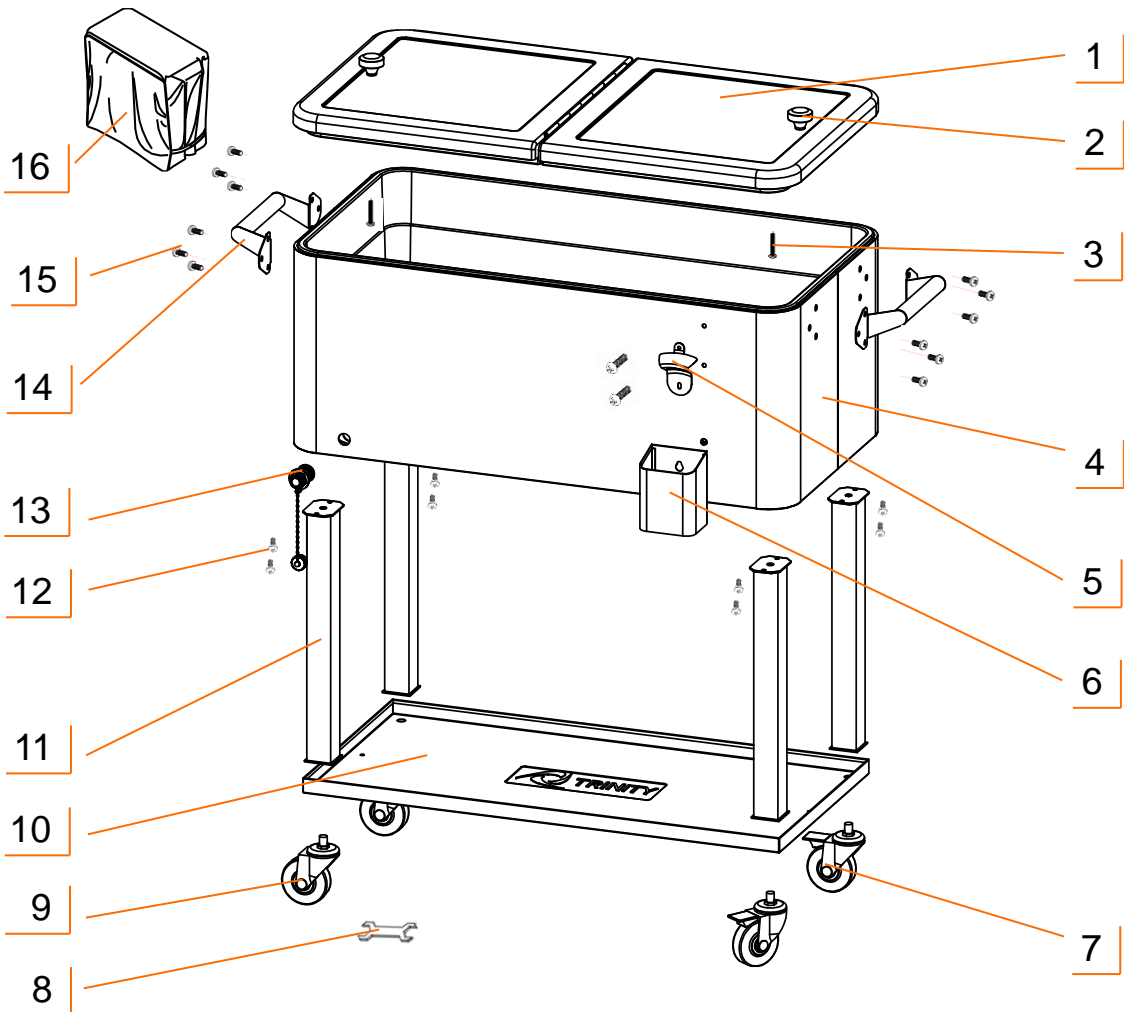
N (1)



## SERVICE PARTS LIST – TXK-0808

TRINITY Customer Service provides the following replacement parts:

Part Number	Description	Part Number	Description
1) PBR-17-002-3317	Cooler Lid	9) ZSV-99-011-3010	Non-Locking Caster
2) AMA-05-005-0150	Lid Knob	10) PBR-03-028-3116	Shelf
3) XSV-01-010-0530	Knob Screw	11) PBR-04-022-1625	Leg
4) XST-18-015-3317	Cooler Tub	12) XSV-01-010-0416	Small Screw
5) XST-02-004-0001	Bottle Opener	13) CGL-02-003-0001	Drain Plug
6) XST-02-005-0002	Cap Catcher	14) XSV-05-001-0675	Handle
7) ZSV-99-012-3010	Locking Caster	15) XSV-01-010-0615	Large Screw
8) XXX-97-002-0007	Wrench	16) UBK-24-001-3519	Cover



## WARNINGS

- 1. Read and understand all instructions.** Failure to follow all instructions may result in injury and/or damage.
- 2. The warnings, cautions, and instructions discussed in this manual cannot cover all possible conditions or situations that may occur.** The user must always be aware of their environment and ensure that they use the product in a safe and responsible manner.
- 3. Use the provided caster wrench to tighten completely.** Failure to do as instructed could result in the caster stem breaking thereby causing the cooler to collapse.
- 4. Do NOT modify the product in any way.** Unauthorized modification may impair the function and/or safety of the product, and may affect the life of the product. Any modifications will void product warranty.
- 5. Check for damaged parts.** Before using this product, carefully check that all parts are in good condition, and that the product will operate properly and perform its intended function. Check for damaged parts and any other conditions that may affect the operation of this product. Replace damaged or worn parts, and never use this product with a damaged part.
- 6. Lift cooler tub by side handles ONLY.**
- 7. Do NOT let children climb or play in the tub or on the shelf.**
- 8. Do NOT overload the product.**

Volume Capacity	25 gallons / 100 qt
Weight capacity per shelf (evenly distributed)	75 lb
Total weight capacity (evenly distributed)	275 lb

- 9. Lock the casters when leaving cooler in stationary position.**
- 10. Do NOT push cooler with cart on uneven surface.** Cooler tub may detach from the cart and casters may be loosened and damaged causing the cart to collapse.
- 11. Wood and laminate flooring can be scratched or dented.** Ensure your flooring can bear the weight of loaded product before rolling loaded product across your flooring.



---

## CARE AND MAINTENANCE

- Remember to drain remaining water and remove un-melted ice after use. Wipe dry for storage.
- Avoid harsh, abrasive cleaners, and other corrosive chemicals.
- Do not use scouring pad for cleaning.
- Keep dry and avoid damp environments.
- Use a quality stainless steel cleaner and follow instructions that come with the cleaner. Wipe ALONG the grain (NOT against).
- Cooler should not be left out unprotected in the elements. Keep cover on when cooler is not in-use.

# PRODUCT REGISTRATION

Thank you for purchasing a TRINITY Stainless Steel Cooler w/ Shelf & Cover. In order to register your product and receive streamlined customer service, please fill out the following Product Registration Form and (1) fax the form to 310.347.4134 (2) complete the Product Registration Form online at [www.trinityii.com](http://www.trinityii.com) or (3) scan and email the form to [customerservice@trinityii.com](mailto:customerservice@trinityii.com). Include a copy of your original receipt with your submission.

First Name: \_\_\_\_\_ Last Name: \_\_\_\_\_

Address: \_\_\_\_\_

City: \_\_\_\_\_ State: \_\_\_\_\_ Zip Code: \_\_\_\_\_

Email Address: \_\_\_\_\_ Phone: \_\_\_\_\_

Product Model #: \_\_\_\_\_ TXK-0808 \_\_\_\_\_ Purchase Date: \_\_\_\_ / \_\_\_\_ / \_\_\_\_

Location of Purchase: \_\_\_\_\_

Please rate the importance of each feature (1=least important; 10=most important)

Quality \_\_\_\_ Price \_\_\_\_ Size/Capacity \_\_\_\_ Appearance \_\_\_\_ Other \_\_\_\_

How did you hear about our product?

- Magazine Ad     Catalog     Salesperson     Word of Mouth  
 Internet     Store Display     Other

Marital Status:                       Single                       Married

Household Income:               Below \$50,000     \$50,000-\$150,000     \$150,000+

Education:                       High School     College     Graduate School

Primary Residence:               Own                       Rent

Comments/Suggestions:



---

# 1 YEAR LIMITED WARRANTY

## TRINITY Stainless Steel Cooler w/ Shelf & Cover Model # TXK-0808

Trinity International Industries (“Trinity”) warrants to the original consumer purchaser (“Purchaser”) of the TRINITY Stainless Steel Cooler w/ Shelf & Cover (“Product”) that each Product shall be free from defects in workmanship and materials for a period of 1 year from the date of original purchase. Trinity’s obligation under this warranty shall be limited to repair or replacement of, or adequate compensation for the Product which shall not be greater than the amount of the purchase price of the Product, at the option of Trinity, during the warranty period. All replaced parts and Products become the property of Trinity and must be returned to Trinity.

This warranty excludes normal wear and tear of the Product and its parts or components, and damage arising from any of the following: negligent use or misuse of the Product, use contrary to this User’s Manual, or alteration by any one other than Trinity. The warranty period of 1 year shall not be extended or renewed by the repair or replacement of, or compensation for, the Product. Any warranty implied by applicable law is limited in duration to one year from the date of purchase and is subject to the same conditions and limitations as is provided for our express warranty.

Except as set forth herein, and to the extent of applicable there are no warranties on this Product either express or implied, and Trinity disclaims all warranties including, but not limited to, any implied warranties of merchantability, infringement or fitness for a particular purpose. No warranty or guarantee given by any person, firm, or corporation with respect to this product shall be binding on Trinity.

If your Product is defective or otherwise requires service or parts, please call TRINITY Customer Service toll-free at (800) 985-5506, between 5:00 a.m. and 5:00 p.m., PST. Please tell us which model you purchased, the date of the purchase, and the problem with your Product. A copy of your original purchase receipt must accompany your service request.

### LIMITATION OF REMEDIES AND LIABILITY

Trinity (and its employees, officers, members, managers, affiliates and assigns) shall not be liable for any incidental, consequential, special, indirect, remote, special or punitive damages for breach of any warranty, express or implied, including, but not limited to, lost profits, lost savings, loss of anticipated benefits and attorneys’ fees, which arise out of the purchase, use or inability to use the Product, whether arising out of contract, negligence, strict tort, product liability, or any other legal theory on which a claim is based. As noted above, to the extent damages are allowed by our express warranty or by applicable law, those damages may not exceed the purchase price paid for the Product. Without limiting the foregoing Purchaser assumes all risk and liability for loss, damage or injury to Purchaser and Purchaser’s property and to others and their property arising out of the use, misuse, or inability to use this Product. This limited warranty shall not extend to anyone other than the original purchaser of this product, is nontransferable and states your exclusive remedy.

Some states do not allow the exclusion or limitation of incidental, consequential, special, or punitive damages, so the above limitation or exclusion may not apply to you. The above warranty gives you specific legal rights, and you may have other rights which vary from state to state.

---

## CONTACT US

**QUESTIONS? NEED PARTS?  
WE ARE HERE TO HELP!**

**Please feel free to contact us. There are no questions too small, or any problems too big. We're committed to providing our customers with the highest level of service.**

### **TRINITY Customer Service**

**TEL: 800.985.5506**

**FAX: 310.347.4134**

**EMAIL: [customerservice@trinityii.com](mailto:customerservice@trinityii.com)**

**Monday through Friday  
5:00 AM – 5:00 PM (PST)**

**[www.trinityii.com](http://www.trinityii.com)**