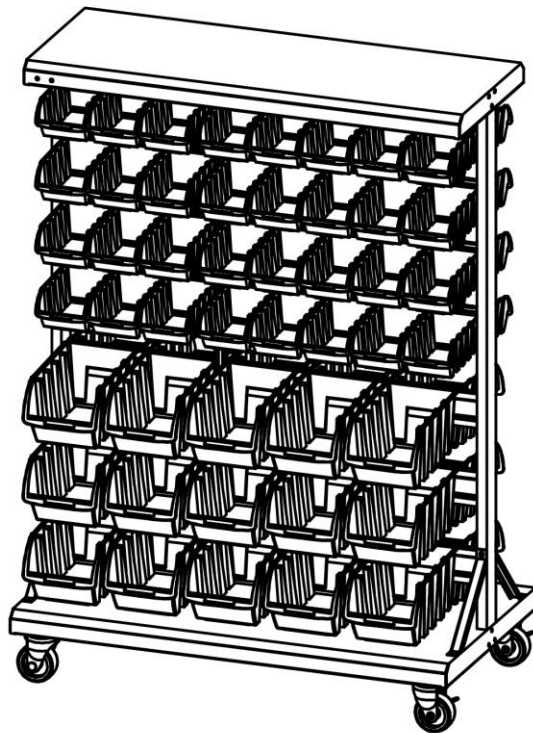




OWNER'S MANUAL



TRINITY DOUBLE-SIDED MOBILE BIN RACK Model # TXK-1701



Important / Important / Importante

FOR QUICK & EASY 3D ASSEMBLY INSTRUCTIONS

POUR DES DIRECTIVES D'ASSEMBLAGE 3D RAPIDES ET FACILES

PARA INSTRUCCIONES DE ENSAMBLAJE RÁPIDAS Y SENCILLAS EN 3D

BILT.®

Intelligent Instructions
Directives intelligentes
Instrucciones Inteligentes



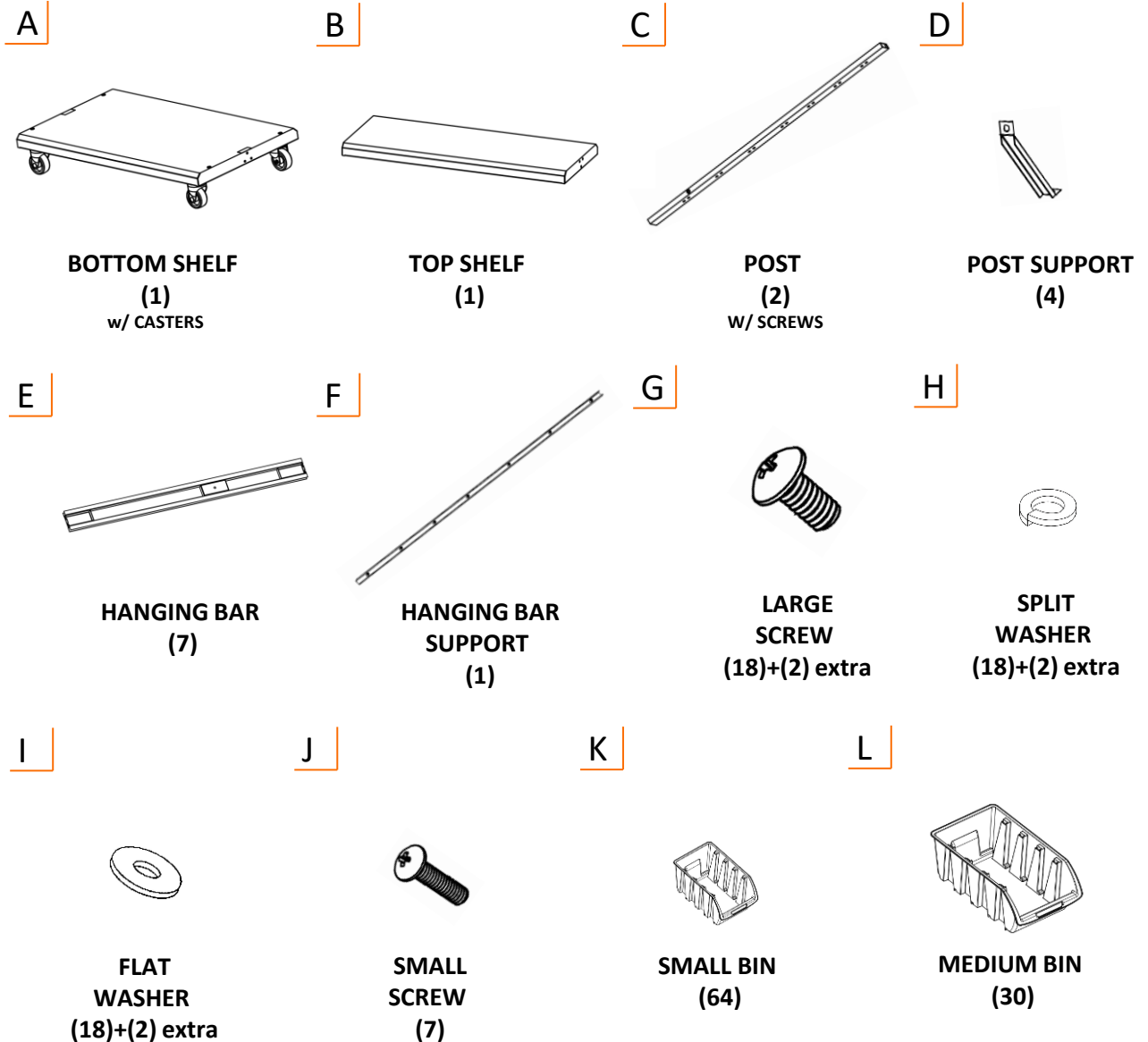
DOWNLOAD THE FREE APP | TÉLÉCHARGER L'APPLICATION GRATUITE | DESCARGUE LA APLICACIÓN GRATUITA

PARTS LIST

Your TRINITY Double-Sided Mobile Bin Rack should include the following parts. Please inspect box contents to ensure you have received all components.

If you are missing any parts, need assistance with assembly or have questions, please contact TRINITY Customer Service: 800.985.5506 or customerservice@trinityii.com. Parts can also be requested online via "Contact Us" section at www.trinityii.com.

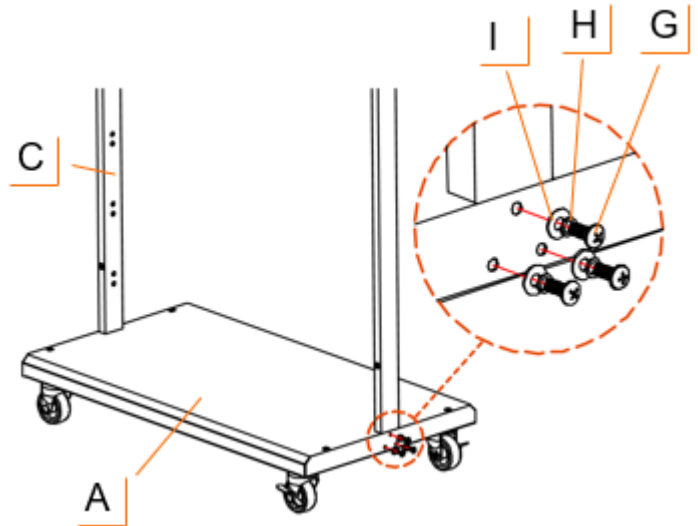
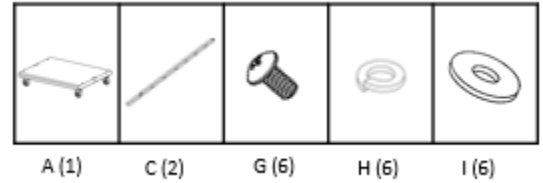
A Phillips head screwdriver is required which is not provided.



ASSEMBLY INSTRUCTIONS

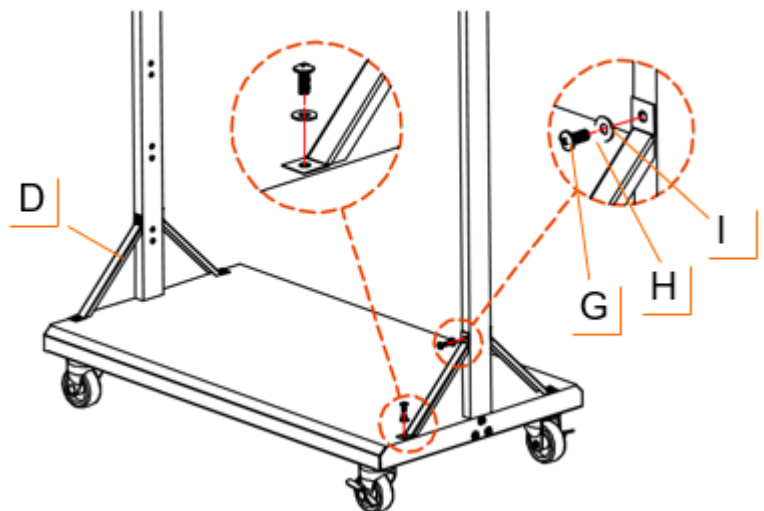
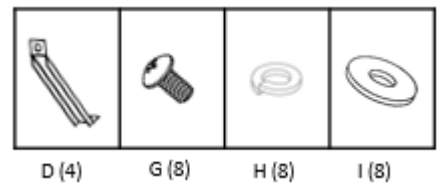
STEP 1

Insert both POSTS (C) into the BOTTOM SHELF (A). Make sure that the screws on the POSTS (C) are facing INWARD, and that the "UP" sticker on end of the POST (C) is at the top. Line up the nuts on the POSTS (C) with the holes on the side of the BOTTOM SHELF (A). Insert a LARGE SCREW (G) through SPLIT WASHER (H) then FLAT WASHER (I) and hand fasten to nut on the POSTS (C). Loosely secure both POSTS (C). Do NOT tighten completely until STEP 4.



STEP 2

Secure a diagonal POST SUPPORT (D) to each side of the POSTS (C) with the LARGE SCREWS (G), SPLIT WASHERS (H) and FLAT WASHERS (I). Screw one end of each diagonal POST SUPPORT (D) into the POST (C) and the other end into the BOTTOM SHELF (A).



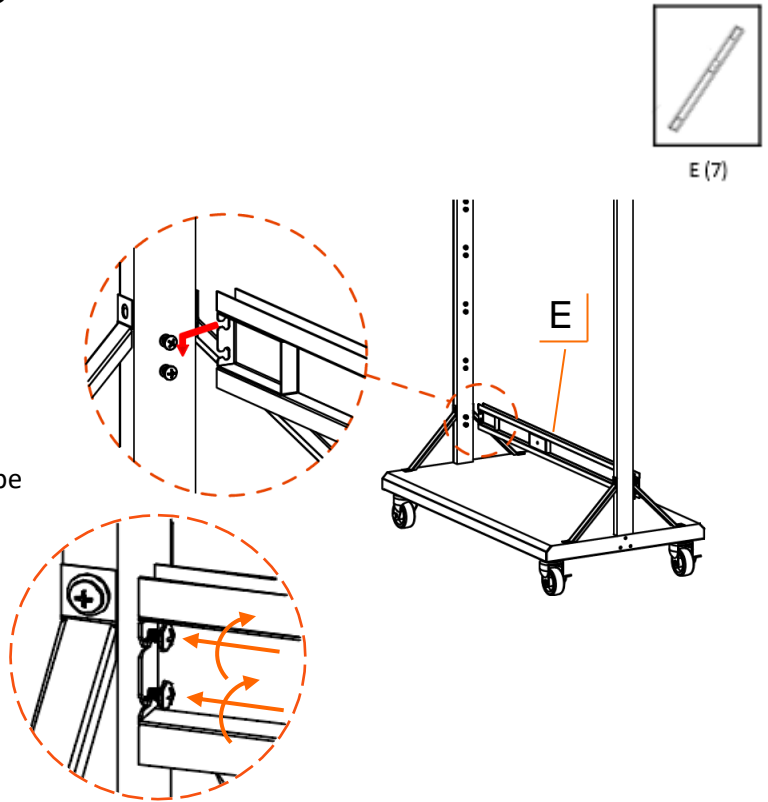
ASSEMBLY INSTRUCTIONS

STEP 3

Loosen the screws on the inside of both POSTS (C) so that the HANGING BARS (E) can be inserted. Starting with the lowest BAR (E), insert all BARS (E) in the same direction.

The "L" (left) stickers on the HANGING BARS (E) indicate proper positioning so that the HANGING BAR SUPPORT (F) can be properly installed in Step 5.

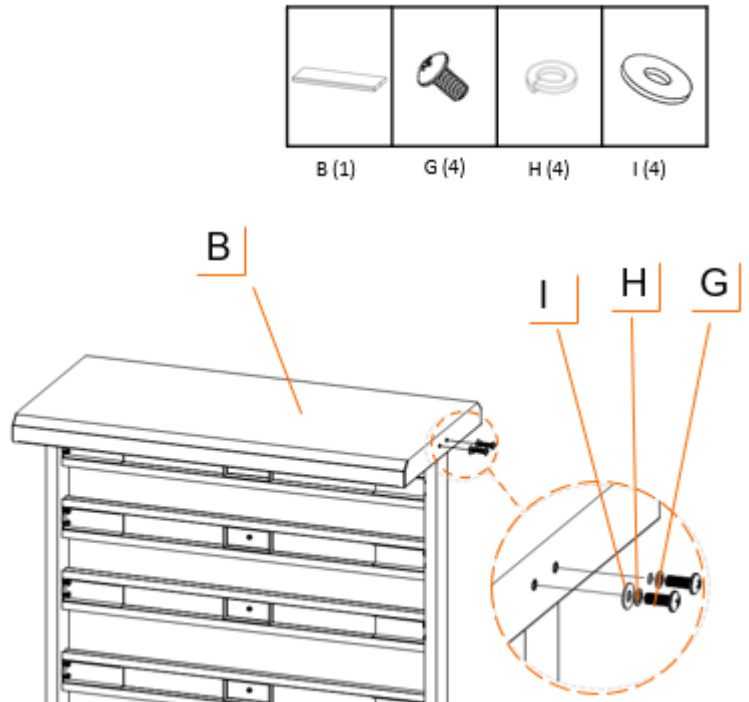
Slide the HANGING BARS (E) in, and then down as shown. Tighten the screws on both POSTS (C).



STEP 4

TOP SHELF (B) can be mounted as a shelf or flipped over as a tray. Decide which orientation best suits your needs then slide the TOP SHELF (B) onto the top of both POSTS (C) and secure it with the LARGE SCREWS (G), SPLIT WASHERS (H) and FLAT WASHERS (I) on both sides.

Tighten all LARGE SCREWS (C), including LARGE SCREWS (C) at the bottom of POSTS (C) from STEP 1.

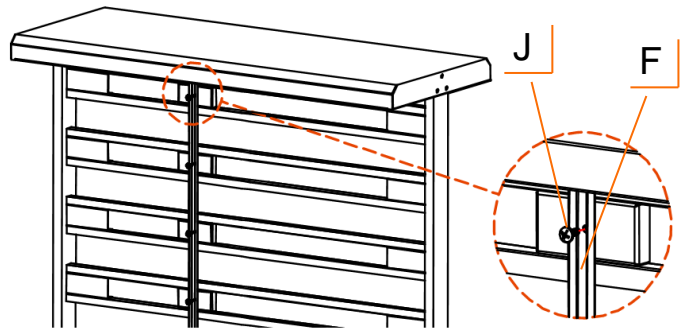
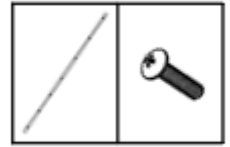


ASSEMBLY INSTRUCTIONS

STEP 5

Attach the HANGING BAR SUPPORT (F) to the HANGING BARS (E) with the SMALL SCREWS (J). The HANGING BAR SUPPORT (F) should be flush against the HANGING BARS (E), and the U-shaped channel should be facing out.

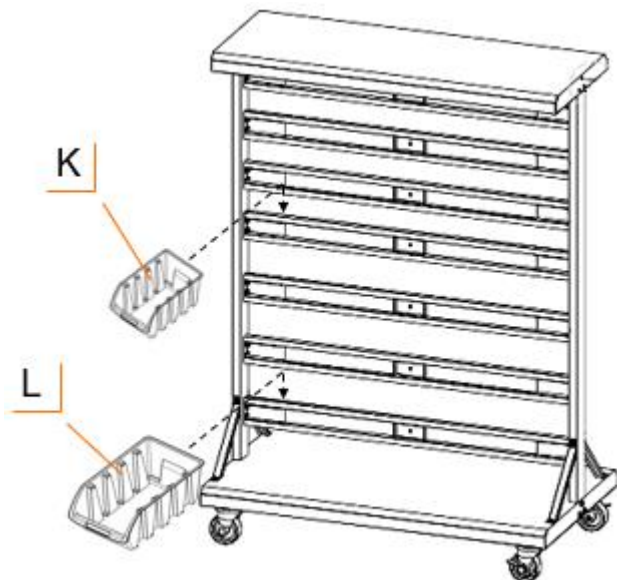
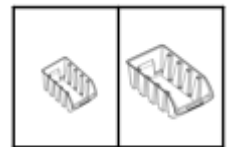
The "UP" sticker indicates proper positioning.



STEP 6

Secure each BIN (K+L) in place by pressing one thumb against the inside back of the BIN (K+L) and press firmly onto the HANGING BAR (E) until the back lip of the BIN (K+L) catches the top of the HANGING BAR (E). Be sure to place the rows of BINS (K+L) from the bottom up. The SMALL BINS (K) belong on the top (4) HANGING BARS (E), while the MEDIUM BINS (L) belong on the bottom HANGING BARS (E).

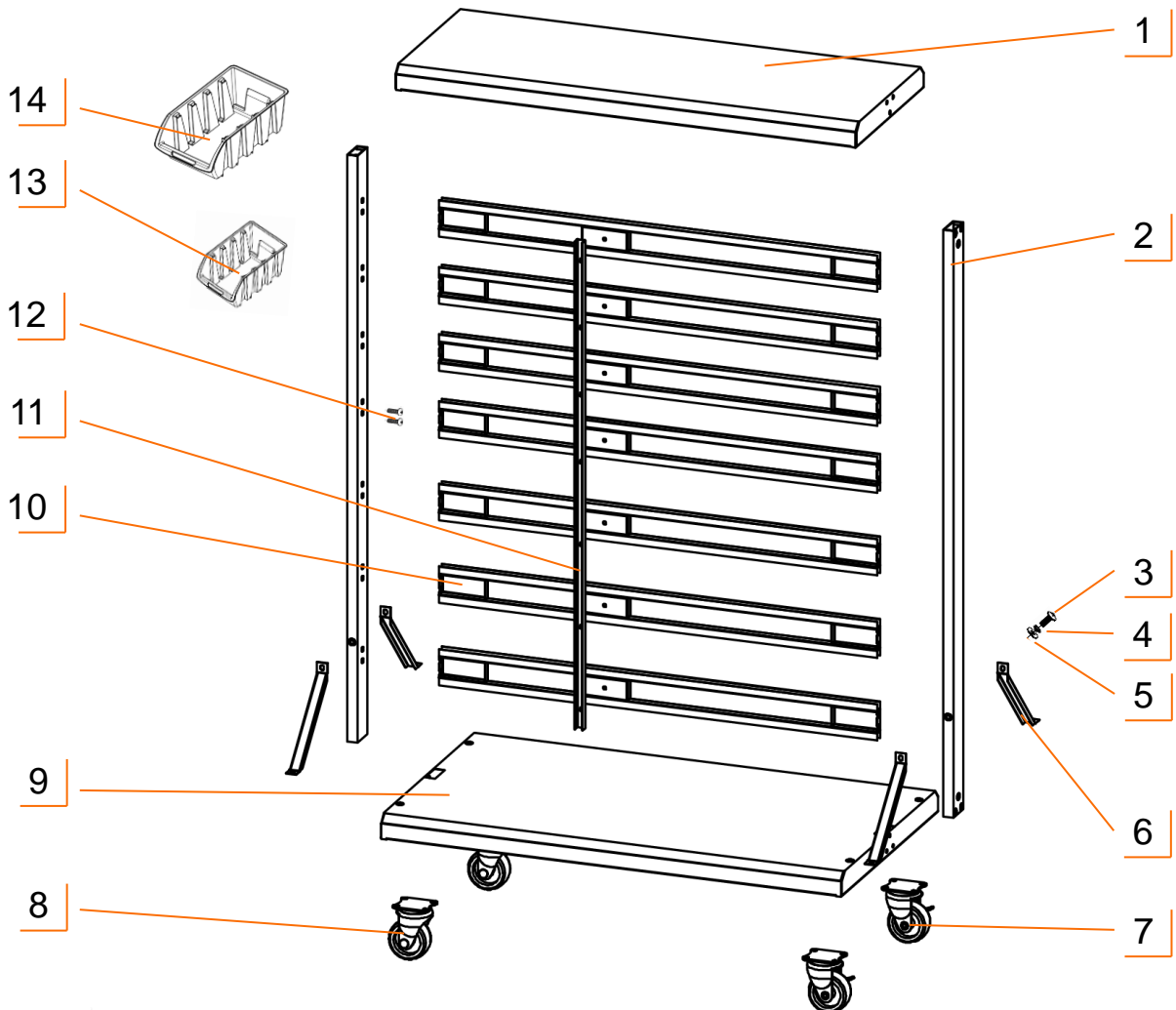
Note: Do NOT load items into BINS (K+L) before hanging on Rack.



SERVICE PARTS LIST – TXK-1701

TRINITY Customer Service provides the following replacement parts:

Part Number	Description	Part Number	Description
1) PBK-03-054-3614	Top Shelf	8) ZSV-99-002-3010	Non-locking Caster
2) PBK-04-017-4475	Post	9) PBK-03-016-3620	Bottom Shelf
3) ZBK-01-004-0615	Large Screw	10) PBK-13-005-3375	Hanging Bar
4) XSV-01-020-0608	Split Washer	11) PBK-19-002-3725	Hanging Bar Support
5) XSV-01-019-0612	Flat Washer	12) ZBK-01-004-0410	Small Screw
6) PBK-19-001-0900	Post Support	13) XOR-21-007-0403	Small Bin
7) ZSV-99-004-3010	Locking Caster	14) XGR-21-007-0605	Medium Bin



WARNINGS

1. **Read and understand all instructions.** Failure to follow all instructions may result in injury and/or damage.
2. **The warnings, cautions, and instructions discussed in this manual cannot cover all possible conditions or situations that may occur.** The user must always be aware of their environment and ensure that they use the product in a safe and responsible manner.
3. **Do NOT modify the product in any way.** Unauthorized modification may impair the function and/or safety of the product, and may affect the life of the product. Any modifications will void product warranty.
4. **Check for damaged parts.** Before using this product, carefully check that all parts are in good condition, and that the product will operate properly and perform its intended function. Check for damaged parts and any other conditions that may affect the operation of this product. Replace damaged or worn parts, and never use this product with a damaged part.
5. **Store the bin rack in a secure place out of the reach of children when not in use.**
6. **If storing the bin rack for a long time, unload the bins to prevent cracking over time.**
7. **Do NOT overload the product.** Below capacity is based on evenly distributed weight.

Small Bin capacity	2 lb
Medium Bin capacity	4 lb
Total weight capacity	330 lb

8. **Do NOT allow children to climb or play around the product.** Tipping may occur causing injury.

CARE AND MAINTENANCE

- Avoid harsh, abrasive cleaners, and other corrosive chemicals.
- Do not use scouring pad for cleaning.
- Keep the bins, shelves and rack dry, clean, and free from oil and grease.
- Use only identical replacement parts for the bin rack. Parts that may be suitable for one tool may create a risk of injury when used with another tool.



PRODUCT REGISTRATION

Thank you for purchasing a TRINITY Double-Sided Mobile Bin Rack. In order to register your product and receive streamlined customer service, please fill out the following Product Registration Form and (1) fax the form to 310.347.4134 (2) complete the Product Registration Form online at www.trinityii.com or (3) scan and email the form to customerservice@trinityii.com. Include a copy of your original receipt with your submission.

First Name: _____ Last Name: _____

Address: _____

City: _____ State: _____ Zip Code: _____

Email Address: _____ Phone: _____

Product Model #: _____ TXK-1701 _____ Purchase Date: ____ / ____ / ____

Location of Purchase: _____

Please rate the importance of each feature (1=least important; 10=most important)

Quality ____ Price ____ Size/Capacity ____ Appearance ____ Other ____

How did you hear about our product?

- Magazine Ad Catalog Salesperson Word of Mouth
 Internet Store Display Other

Marital Status: Single Married

Household Income: Below \$50,000 \$50,000-\$150,000 \$150,000+

Education: High School College Graduate School

Primary Residence: Own Rent

Comments/Suggestions:



1 YEAR LIMITED WARRANTY

TRINITY Double-Sided Mobile Bin Rack Model # TXK-1701

Trinity International Industries (“Trinity”) warrants to the original consumer purchaser (“Purchaser”) of the TRINITY Double-Sided Mobile Bin Rack (“Product”) that each Product shall be free from defects in workmanship and materials for a period of 1 year from the date of original purchase. Trinity’s obligation under this warranty shall be limited to repair or replacement of, or adequate compensation for the Product which shall not be greater than the amount of the purchase price of the Product, at the option of Trinity, during the warranty period. All replaced parts and Products become the property of Trinity and must be returned to Trinity.

This warranty excludes normal wear and tear of the Product and its parts or components, and damage arising from any of the following: negligent use or misuse of the Product, use contrary to this User’s Manual, or alteration by any one other than Trinity. The warranty period of 1 year shall not be extended or renewed by the repair or replacement of, or compensation for, the Product. Any warranty implied by applicable law is limited in duration to one year from the date of purchase and is subject to the same conditions and limitations as is provided for our express warranty.

Except as set forth herein, and to the extent of applicable there are no warranties on this Product either express or implied, and Trinity disclaims all warranties including, but not limited to, any implied warranties of merchantability, infringement or fitness for a particular purpose. No warranty or guarantee given by any person, firm, or corporation with respect to this product shall be binding on Trinity.

If your Product is defective or otherwise requires service or parts, please call TRINITY Customer Service toll-free at (800) 985-5506, between 5:00 a.m. and 5:00 p.m., PST. Please tell us which model you purchased, the date of the purchase, and the problem with your Product. A copy of your original purchase receipt must accompany your service request.

LIMITATION OF REMEDIES AND LIABILITY

Trinity (and its employees, officers, members, managers, affiliates and assigns) shall not be liable for any incidental, consequential, special, indirect, remote, special or punitive damages for breach of any warranty, express or implied, including, but not limited to, lost profits, lost savings, loss of anticipated benefits and attorneys’ fees, which arise out of the purchase, use or inability to use the Product, whether arising out of contract, negligence, strict tort, product liability, or any other legal theory on which a claim is based. As noted above, to the extent damages are allowed by our express warranty or by applicable law, those damages may not exceed the purchase price paid for the Product. Without limiting the foregoing Purchaser assumes all risk and liability for loss, damage or injury to Purchaser and Purchaser’s property and to others and their property arising out of the use, misuse, or inability to use this Product. This limited warranty shall not extend to anyone other than the original purchaser of this product, is nontransferable and states your exclusive remedy.

Some states do not allow the exclusion or limitation of incidental, consequential, special, or punitive damages, so the above limitation or exclusion may not apply to you. The above warranty gives you specific legal rights, and you may have other rights which vary from state to state.

CONTACT US

**QUESTIONS? NEED PARTS?
WE ARE HERE TO HELP!**

Please feel free to contact us. There are no questions too small, or any problems too big. We're committed to providing our customers with the highest level of service.

TRINITY Customer Service

TEL: 800.985.5506

FAX: 310.347.4134

EMAIL: customerservice@trinityii.com

**Monday through Friday
5:00 AM – 5:00 PM (PST)**

www.trinityii.com